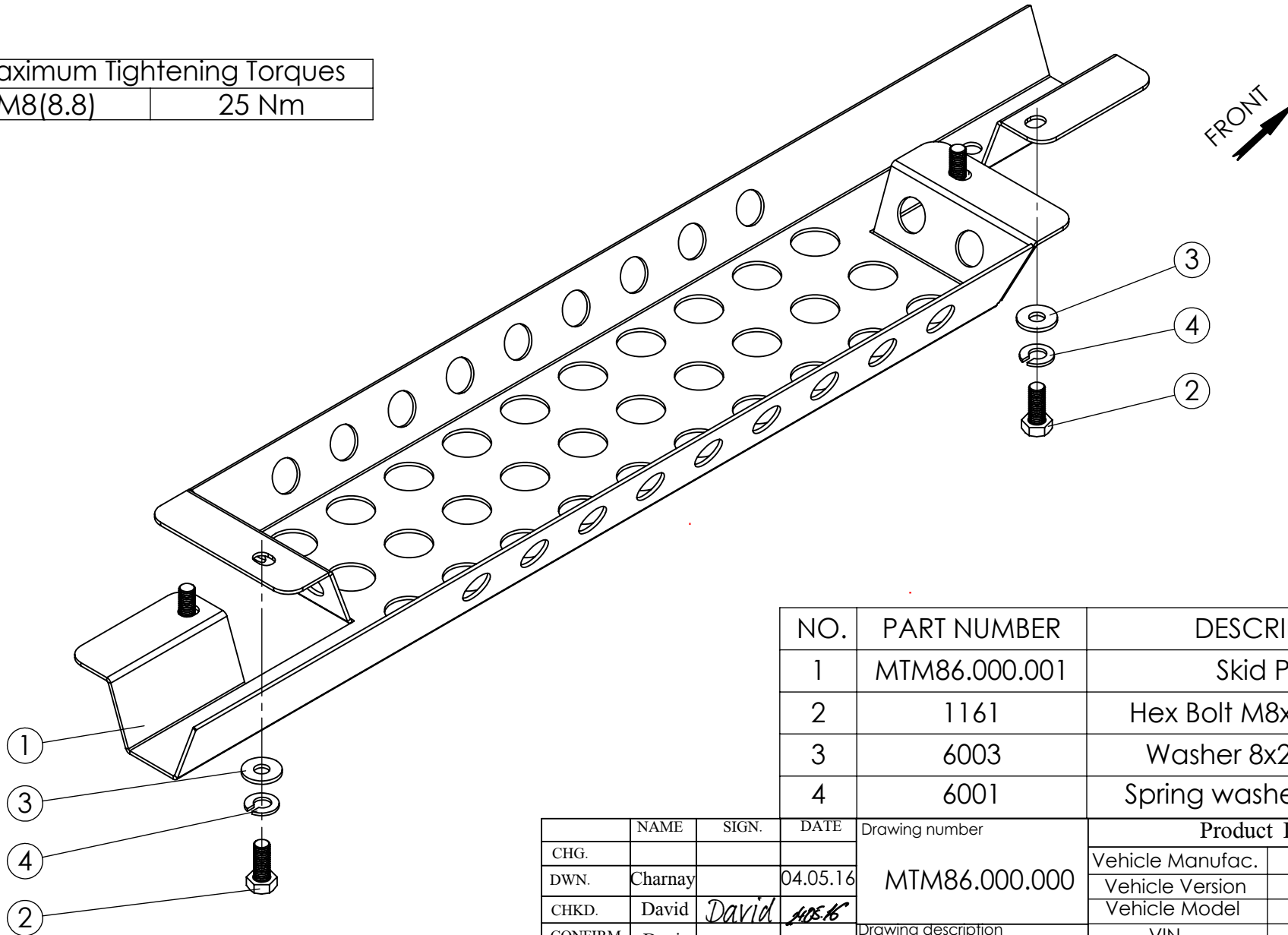


Maximum Tightening Torques

M8(8.8)

25 Nm



NO.	PART NUMBER	DESCRIPTION	QTY.
1	MTM86.000.001	Skid Plate	1
2	1161	Hex Bolt M8x20 DIN 933	4
3	6003	Washer 8x20 DIN 125	4
4	6001	Spring washer 8 DIN 127	4

	NAME	SIGN.	DATE
CHG.			
DWN.	Charnay		04.05.16
CHKD.	David	<i>David</i>	<i>05.16</i>
CONFIRM	Dani		

Drawing number		Product Description	
MTM86.000.000		Vehicle Manufac.	Mitsubishi
		Vehicle Version	Outlander
Drawing description Fuel Cool Skid Plate		Vehicle Model	5 doors
		VIN	JMBXJCW8W7U000026
Catalogue number 598172		Year of Product.	2013 - 2016
		Gear Shift	AUTOMATIC
Mass, kg 1.7		Motor Model	Diesel 2.2L
		Transmission	4 x 4 / 4 x 2

ASFIR LTD.

Confidential
All rights in and to this document are property of ASFIR Ltd. and reserved to it. This document is forwarded to the recipient under the condition of and subject to the obligation of the recipient to keep the confidentiality of its contents. Copying transfer of distribution of this document or its contents and the use of it not for the purpose intended-are strictly forbidden.