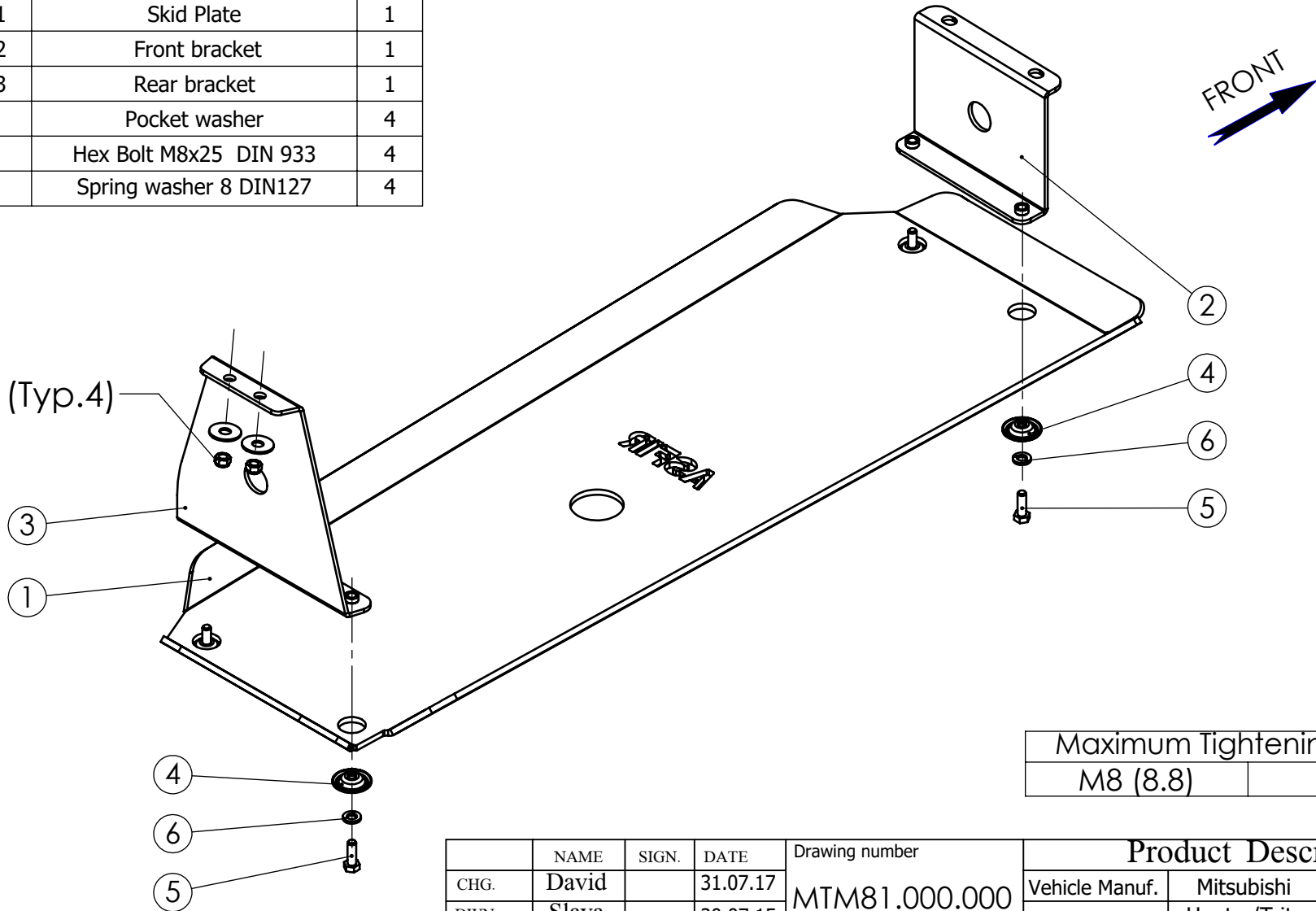


NO.	PART NUMBER	DESCRIPTION	QTY.
1	MTM81.000.001	Skid Plate	1
2	MTM81.000.002	Front bracket	1
3	MTM81.000.003	Rear bracket	1
4	10858	Pocket washer	4
5	1168	Hex Bolt M8x25 DIN 933	4
6	6081	Spring washer 8 DIN127	4

Original Nut (Typ.4)



Maximum Tightening Torques	
M8 (8.8)	25 Nm

				Product Description				
CHG.	David		31.07.17	Drawing number	Vehicle Manuf.	Mitsubishi	Fiat	
DWN.	Slava		20.07.15		MTM81.000.000	Vehicle Model	Hunter/Triton	Fullback
PLN.	David		31.07.17	Drawing description	Vehicle Version	Pickup L200	D-Cab	
CONFIRM	Dani				Fuel Tank Skid Plate	VIN	MMCJYKL10GH003136	ZFAKVJY10G9007031
ASFIR LTD.				Catalogue number	Year of Product.	2006-2017	2016-2017	
					597270	Gear Shift	Automatic/Manual	Automatic
					Weight,kg 8.5	Motor Model	Diesel	Diesel
					Transmission	4X4	4X4	

Confidential

All rights in and to this document are property of ASFIR Ltd. and reserved to it. This document is forwarded to the recipient under the condition of and subject to the obligation of the recipient to keep the confidentiality of its contents. Copying transfer of distribution of this document or its contents and the use of it not for the purpose intended-are strictly forbidden.