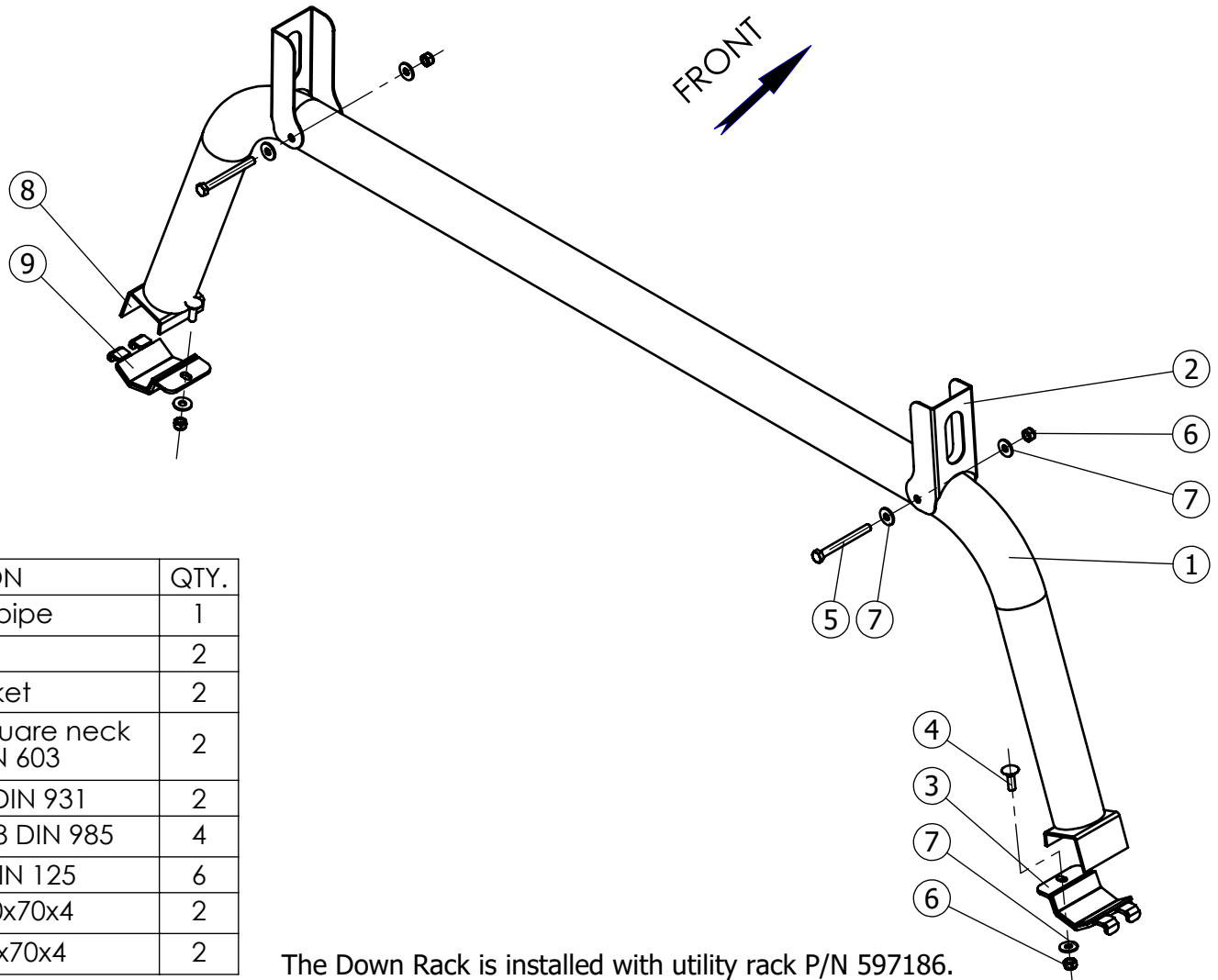


Maximum Tightening Torques

M8 (8.8)

25 Nm



NO.	PART NUMBER	DESCRIPTION	QTY.
1	MTW68.050.000	Welded rear pipe	1
2	DOW09.000.007	Holder	2
3	TYW73.050.001	Lower Bracket	2
4	1140	Mushroom head square neck Bolt M8x30 DIN 603	2
5	1058	Hex Bolt M8x80 DIN 931	2
6	3005	Hex Nut Nylock M8 DIN 985	4
7	6003	Washer 8x20 DIN 125	6
8	6940	Neoprene 120x70x4	2
9	6940	Neoprene 80x70x4	2

The Down Rack is installed with utility rack P/N 597186.

Confidential  
 All rights in and to this document are property of ASFIR Ltd. and reserved to it. This document is forwarded to the recipient under the condition of and subject to the obligation of the recipient to keep the confidentiality of its contents. Copying, transfer or distribution of this document or its contents and the use of it not for the purpose intended-are strictly forbidden.

	NAME	SIGN.	DATE
CHG.	David		31.07.17
DWN.	Slava		4.05.16
PLN.	David		31.07.17
CONFIRM	Dani		

**ASFIR LTD.**

Drawing number	<b>MTW68.100.000</b>
Drawing description	
Catalogue number	<b>597187</b>
Mass, kg	9.3

Product Description		
Vehicle Manuf.	Mitsubishi	Fiat
Vehicle Model	Triton	Fullback
Vehicle Version	Pickup L200	D-Cab
VIN	MMCYKL10GH003136	ZFAKVJY10G9007031
Year of Product.	2015-2017	2016-2017
Gear Shift	Automatic/Manual	Automatic
Motor Model	Diesel	Diesel
Transmission	4X4	4X4