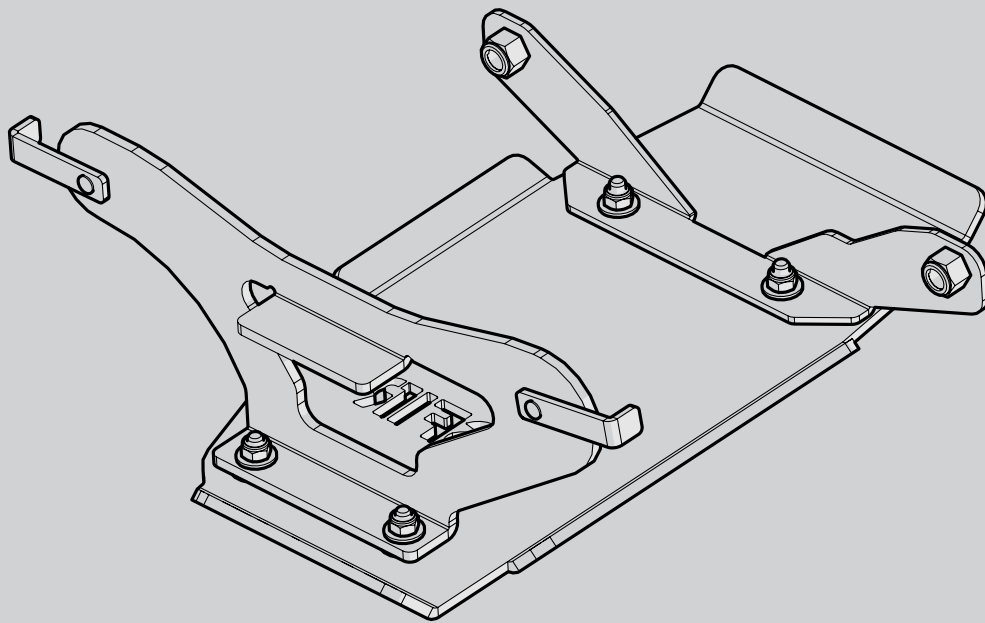
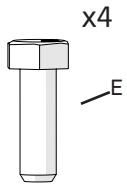
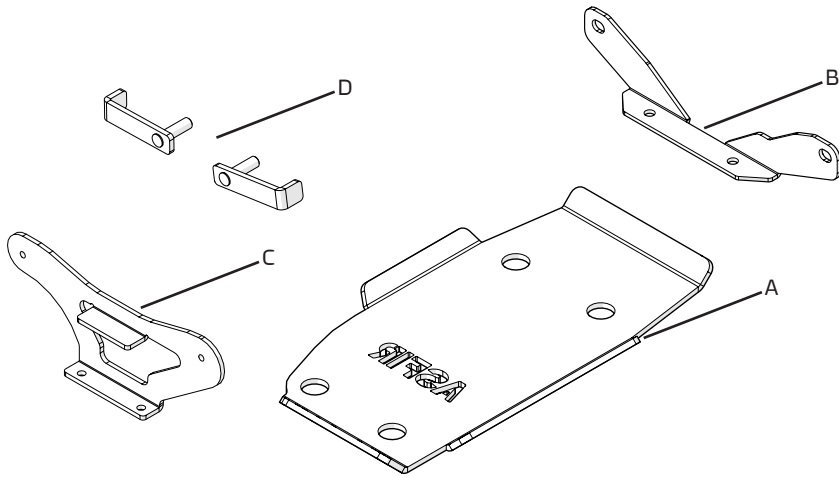


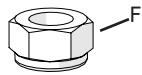
Rear differential skid plate Mounting instructions for Subaru Forester X 2019 and XV 2018-19





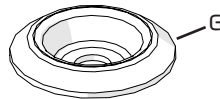
Hex bolt
M8x25

x4



Hex nut nylock
M8

x6



Pocket washer 8

x4

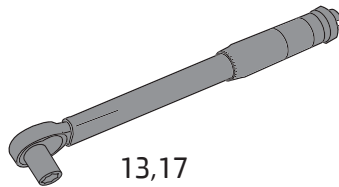


Washer 8x20

x6

Maximum Tightening Torques

M8(8.8)	25Nm
M12x1.25	110 Nm



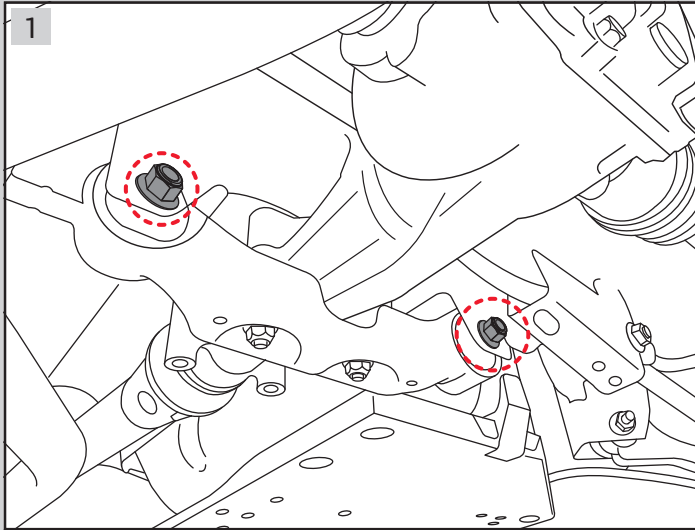
13,17



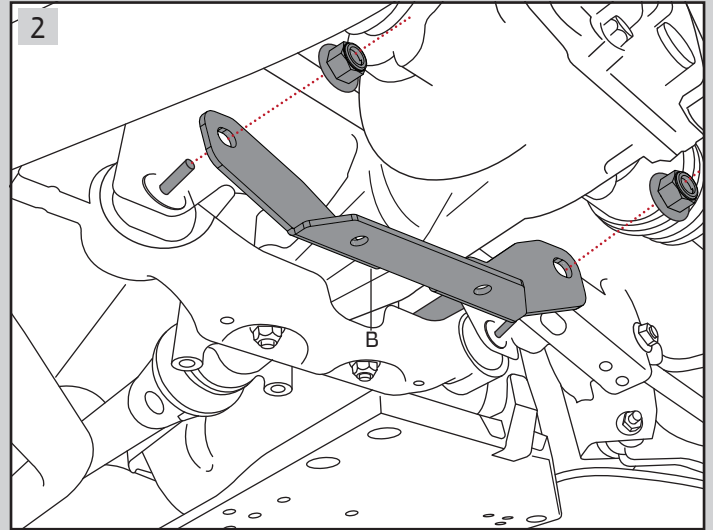
13,17



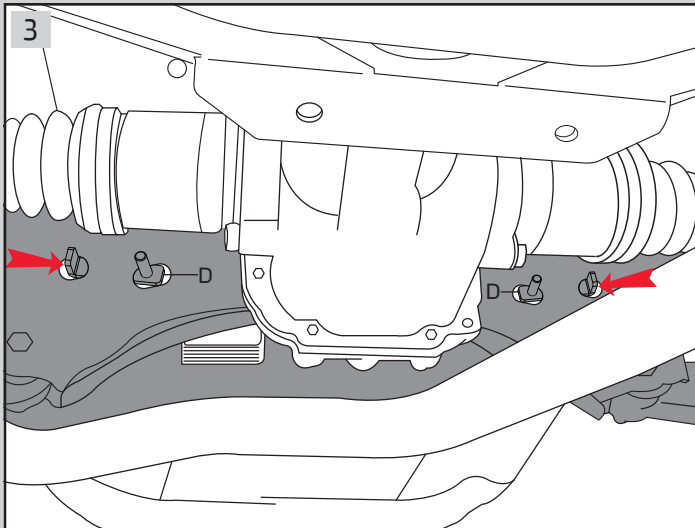
Thread lockers
glue



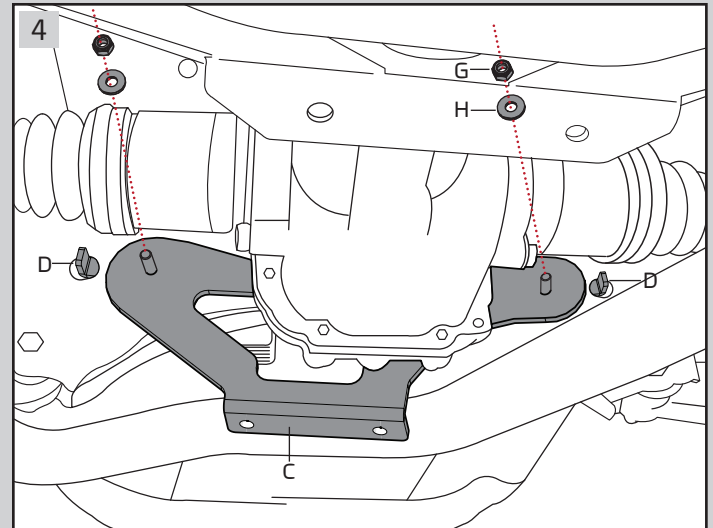
1
Release the marked nuts and save them for the next step



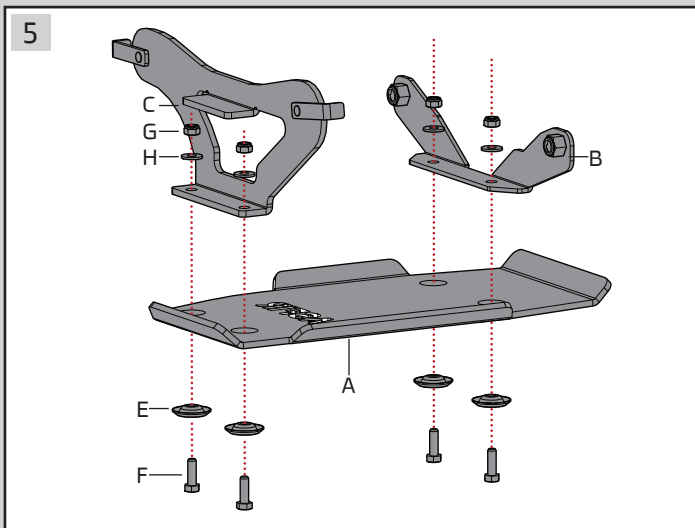
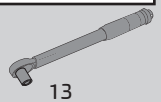
2
Use original nuts and thread lockers glue to connect bracket B into the vehicle chassis



3
Insert bolts D into the chassis as shown above



4
Connect bracket C to the vehicle chassis as shown above



5
Connect skid plate A to the brackets as shown above

