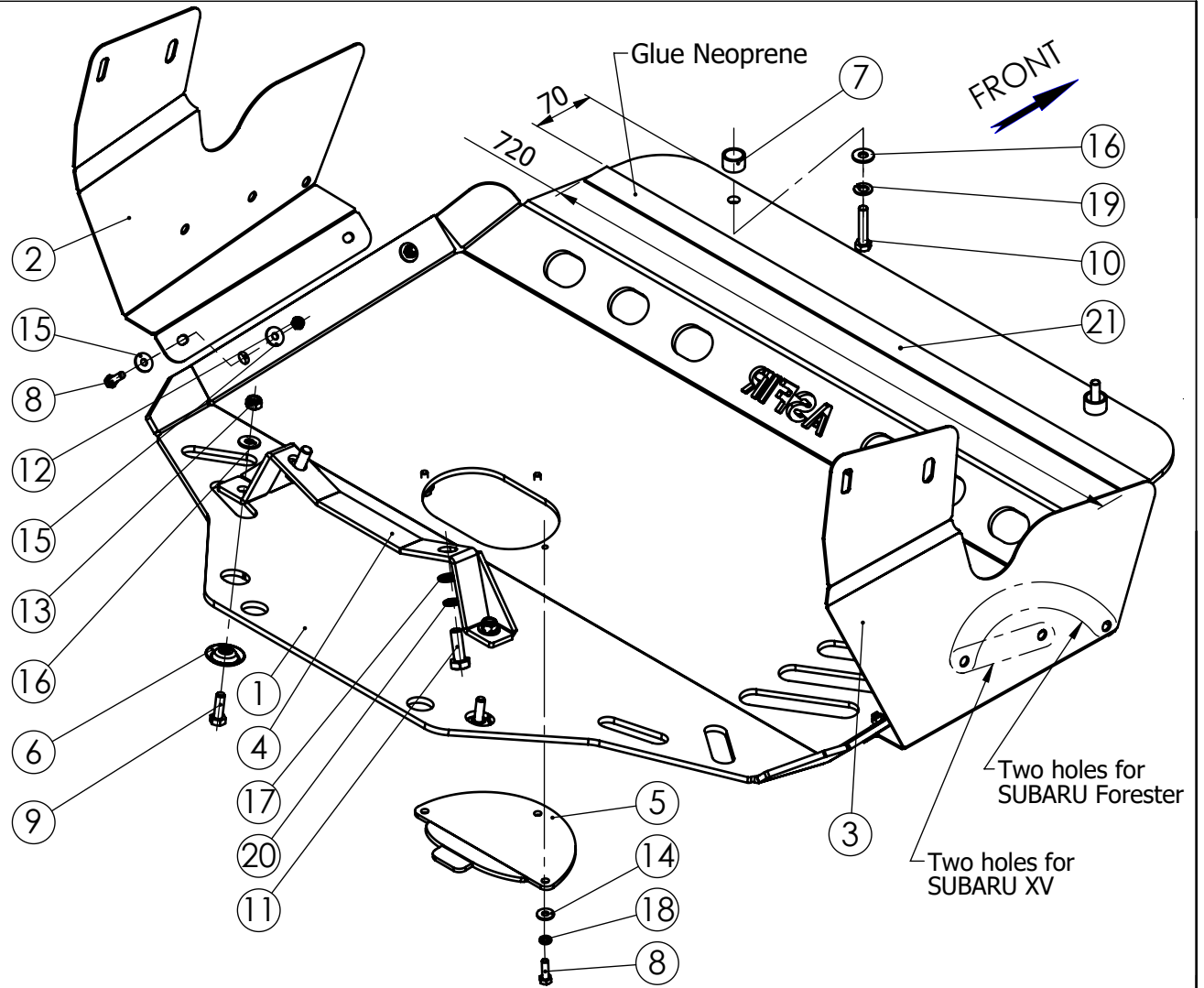


NO.	PART NUMBER	DESCRIPTION	QTY.
1	SUM08.000.001	Skid plate	1
2	SUM08.000.002	Left Cover	1
3	SUM08.000.003	Right Cover	1
4	SUM08.000.004	Bracket	1
5	SUM06.000.003	Cover	1
6	10858	Pocket washer 8	2
7	8506	Spacer 1/2"x13	2
8	1104	Hex Bolt M6x20 DIN 933	7
9	1168	Hex Bolt M8x25 DIN 933	2
10	1002	Hex Bolt M8x40 DIN 933	2
11	1021	Hex Bolt M10x1.25x30 DIN 961	2
12	3006	Hex Nut Nylock M6 DIN 985	4
13	3005	Hex Nut Nylock M8 DIN 985	2
14	6018	Washer 6x16	3
15	6173	Washer 6x18 DIN 9021	8
16	6003	Washer 8x20 DIN 125	4
17	6023	Washer 10x20 DIN125	2
18	6009	Spring washer 6 DIN 127	3
19	6001	Spring washer 8 DIN 127	2
20	6008	Spring washer 10 DIN 127	2
21	9027	NEOPRENE 720X30	1



Maximum Tightening Torques

M6	5 Nm
M8(8.8)	25Nm
M10x1.25	70 Nm

Confidential

All rights in and to this document are property of ASFIR Ltd. and reserved to it. This document is forwarded to the recipient under the condition of and subject to the obligation of the recipient to keep the confidentiality of its contents. Copying transfer of distribution of this document or its contents and the use of it not for the purpose intended-are strictly forbidden.

	NAME	SIGN.	DATE
CHG.	David		13.12.17
DWN.	Slava		08.09.16
PLN.	David		27.12.17
CONFIRM	Dani		

ASFIR LTD.

Drawing number	Product Description	
CHG. SUM08.000.000	Vehicle Manuf.	SUBARU
DWN. SUM08.000.000	Vehicle Model	FORESTER XV
PLN. SUM08.000.000	Vehicle Version	5 doors
CONFIRM. SUM08.000.000	VIN	JF1SJ5LC5FG23077 JF1GP3LC5FG224439
	Year of Prod.	2013-2018 2014 - 2018
	Gear Shift	Automatic/Manual Automatic
	Motor Model	Petrol 2.0L Petrol 1.6L/ 2.0L
	Transmission	4X4
Catalogue number	595056	
Weight,kg	11.1	