

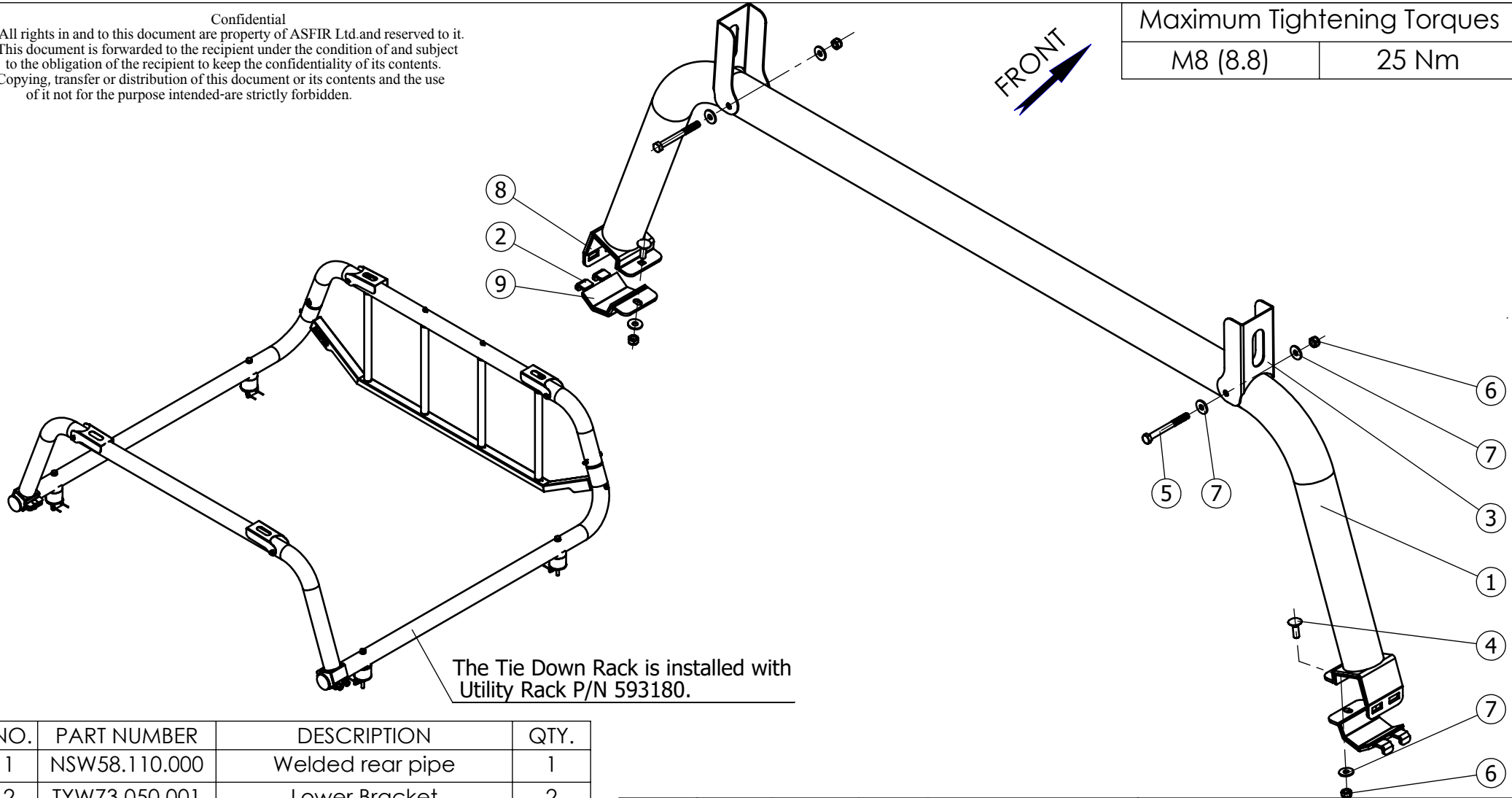
Confidential

All rights in and to this document are property of ASFIR Ltd. and reserved to it. This document is forwarded to the recipient under the condition of and subject to the obligation of the recipient to keep the confidentiality of its contents. Copying, transfer or distribution of this document or its contents and the use of it not for the purpose intended are strictly forbidden.

Maximum Tightening Torques

M8 (8.8)

25 Nm



The Tie Down Rack is installed with Utility Rack P/N 593180.

NO.	PART NUMBER	DESCRIPTION	QTY.
1	NSW58.110.000	Welded rear pipe	1
2	TYW73.050.001	Lower Bracket	2
3	DOW09.000.007	Holder	2
4	1140	Mushroom head square neck Bolt M8x30 DIN 603	2
5	1058	Hex Bolt M8x80 DIN 931	2
6	3005	Hex Nut Nylock M8 DIN 985	4
7	6003	Washer 8x20 DIN 125	6
8	6940	Neoprene 120x70x4	2
9	6940	Neoprene 80x70x4	2

	NAME	SIGN.	DATE
CHG.	Slava		18.04.17
DWN.	Slava		22.03.17
PLN.	David		18.04.17
CONFIRM	Dani		

ASFIR LTD.

Drawing number		Product Description	
NSW58.100.000		Vehicle Manuf.	Nissan
Drawing description		Vehicle Model	Navara NP300
Tie Down Rack		Vehicle Version	Double Cab
Catalogue number		VIN	VSKCTND2340014649
593181		Year of Product.	2017
Weight,kg 10.5		Gear Shift	Manual
		Motor Model	Diesel
		Transmission	4X4