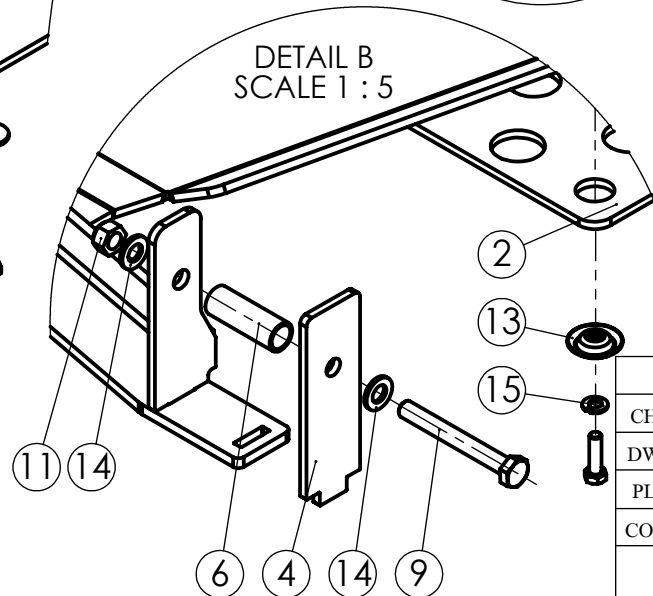
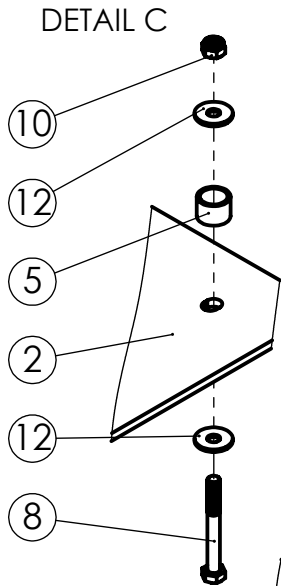
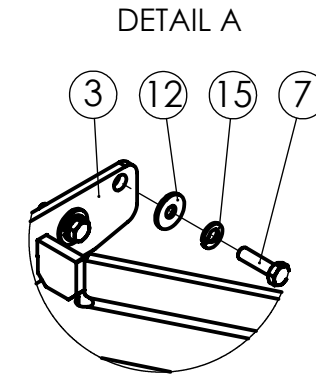
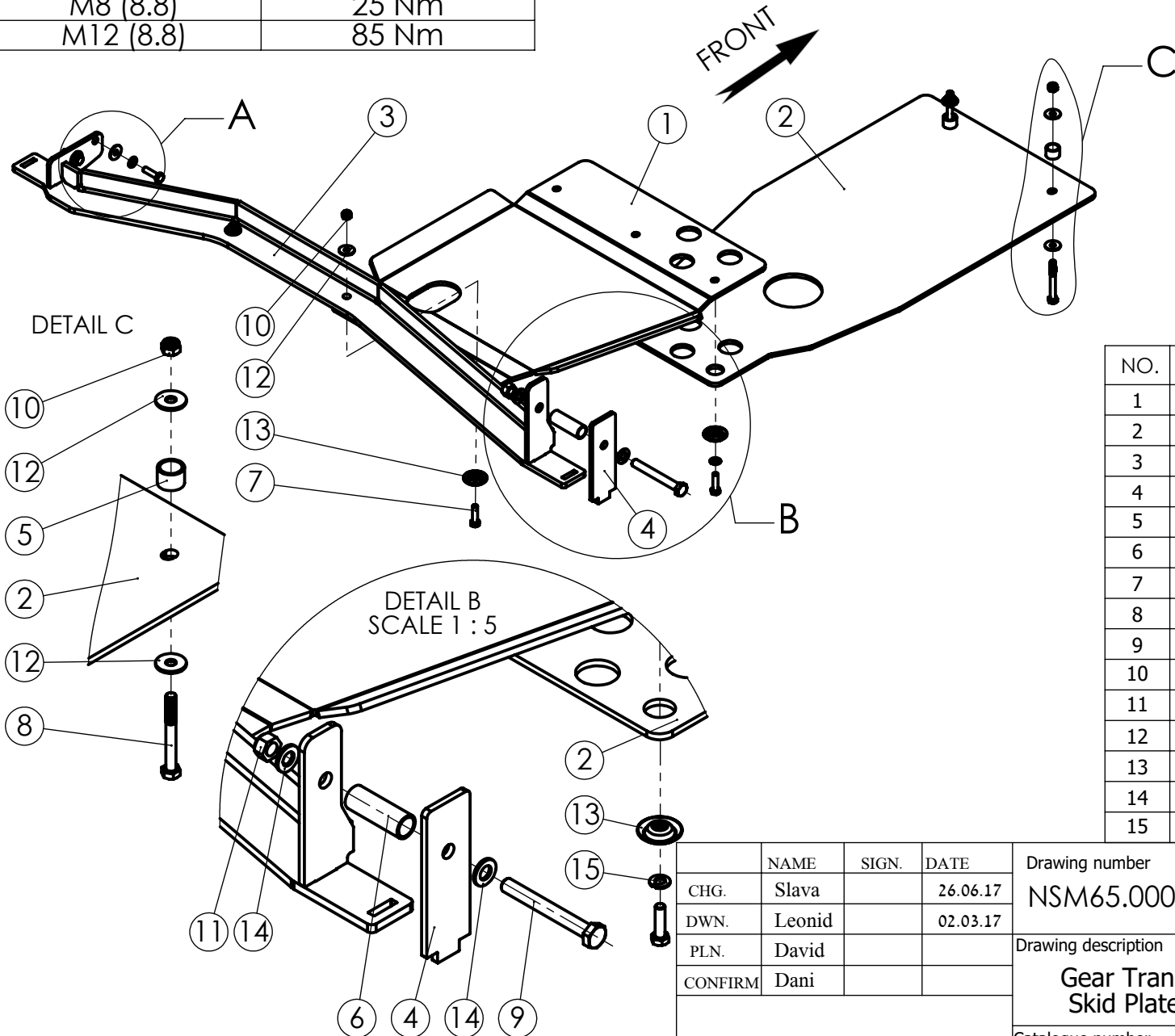


Maximum Tightening Torques

M8 (8.8)	25 Nm
M12 (8.8)	85 Nm



NO.	PART NUMBER	DESCRIPTION	QTY.
1	NSM65.000.001	Transfer Skid Plate	1
2	NSM65.000.002	Gear Skid Plate	1
3	NSM65.010.000	Bracket	1
4	NSM24.000.002A	Flat vertical	1
5	8525	Spacer 1/2" L=15 mm	2
6	7223	Spacer 1/2" L=60 mm	1
7	1209	Hex Bolt M8x30 DIN 933	2
8	1210	Hex Bolt M8x70 DIN 931	2
9	1028	Hex Bolt M12x1.75x100 DIN 931	2
10	3005	Hex Nut Nylock M8 DIN 985	4
11	3001	Hex Nut Nylock M12x1.75 DIN 985	1
12	6000	Washer 8x24 DIN 9021	8
13	10858	Pocket washer 8	6
14	6006	Washer 12x24 DIN 125	2
15	6001	Spring washer 8 DIN 127	5

	NAME	SIGN.	DATE
CHG.	Slava		26.06.17
DWN.	Leonid		02.03.17
PLN.	David		
CONFIRM	Dani		

ASFIR LTD.

Drawing number
NSM65.000.000

Drawing description
Gear Transfer Skid Plate

Catalogue number
593160

Weight,kg 16.3

Product Description

Vehicle Manuf.	Nissan
Vehicle Model	Navara NP300
Vehicle Version	Double Cab
VIN	VSKCTND2340014649
Year of Product.	2017
Gear Shift	Manual
Motor Model	Diesel
Transmission	4X4