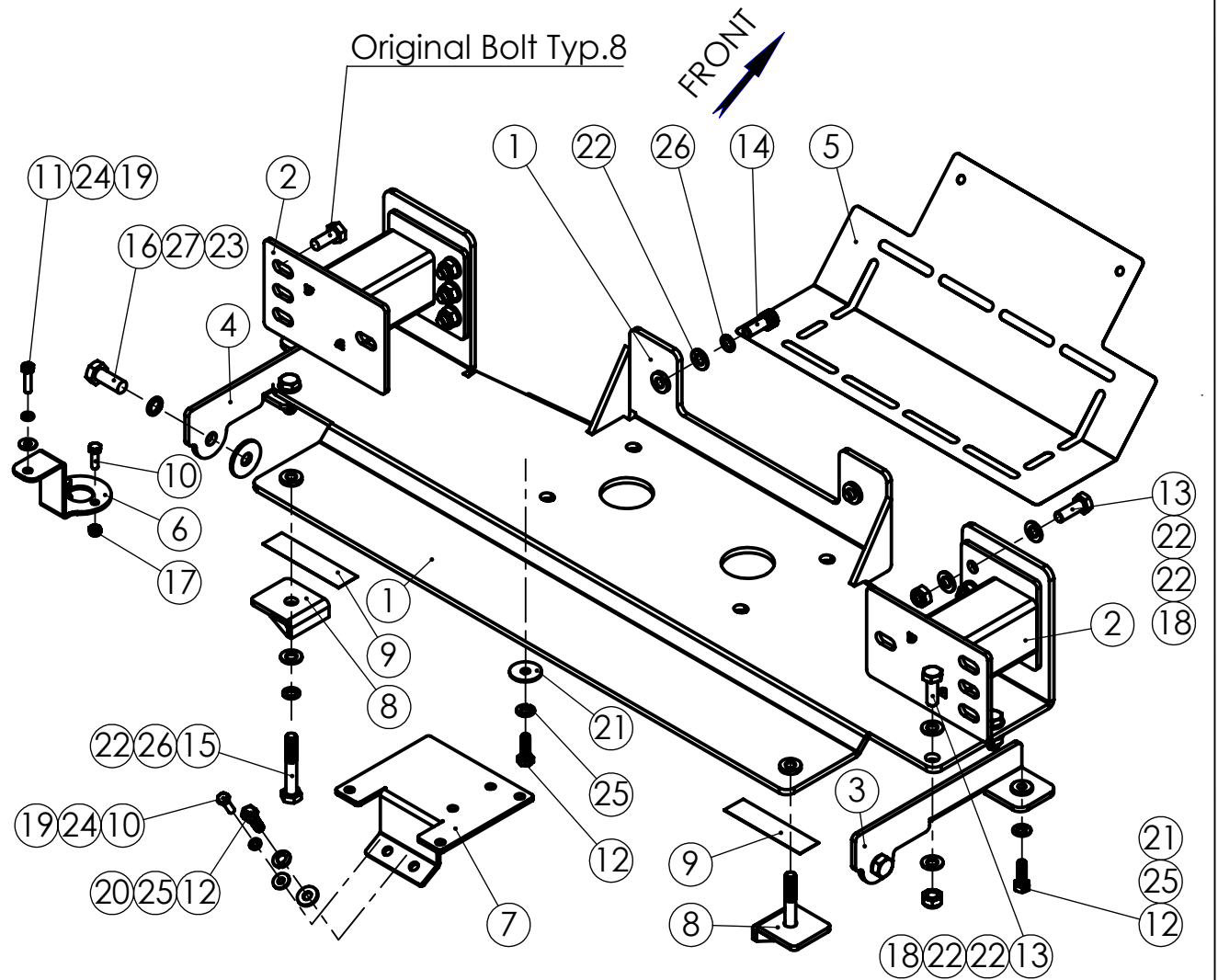


| NO. | PART NUMBER | DESCRIPTION | QTY. |
|-----|-----------------|--|------|
| 1 | TYW25.010.000 | Winch mounting plate | 1 |
| 2 | TYW25.020.000 | Bracket | 2 |
| 3 | TYW25.030.000 | Right Connect | 1 |
| 4 | TYW25.030.000 L | Left Connect | 1 |
| 5 | TYW25.000.006 | Template | 1 |
| 6 | TYW25.000.007 | Adapter for switch | 1 |
| 7 | SW25.010.004 | Solenoid holder | 1 |
| 8 | TYW25.050.000 | Plate | 2 |
| 9 | 4054 | Sponge 30x100 | 2 |
| 10 | 1104 | Hex Bolt M6x20 DIN 933 | 3 |
| 11 | 1167 | Hex Bolt M6x25 DIN 933 | 1 |
| 12 | 1168 | Hex Bolt M8x25 DIN 933 | 5 |
| 13 | 1010 | Hex Bolt M10x1.5x30 DIN 933 | 10 |
| 14 | 1029 | Socket Head Cap Screw M10x1.5x25 DIN 912 | 2 |
| 15 | 1023 | Hex Bolt M10x1.5x65 DIN 931 | 2 |
| 16 | 1049 | Hex bolt M12x1.25x30 DIN961 | 2 |
| 17 | 3006 | Hex Nut Nylock M6 DIN 985 | 2 |
| 18 | 3037 | Hex Nut Nylock M10x1.5 DIN 985 | 10 |
| 19 | 6018 | Washer 6x16 | 2 |
| 20 | 6003 | Washer 8x20 DIN 125 | 1 |
| 21 | 6013 | Washer 8x30 DIN 9021 | 4 |
| 22 | 6023 | Washer 10x20 DIN125 | 24 |
| 23 | 6039 | Washer 12x37 DIN 9021 | 2 |
| 24 | 6009 | Spring washer 6 DIN 127 | 2 |
| 25 | 6001 | Spring washer 8 DIN 127 | 5 |
| 26 | 6008 | Spring washer 10 DIN 127 | 4 |
| 27 | 6005 | Spring washer 12 DIN 127 | 2 |



Confidential

All rights in and to this document are property of ASFIR Ltd. and reserved to it. This document is forwarded to the recipient under the condition of and subject to the obligation of the recipient to keep the confidentiality of its contents. Copying transfer of distribution of this document or its contents and the use of it not for the purpose intended are strictly forbidden.

| CHG. | NAME | SIGN. | DATE | Drawing number | Product Description | |
|-------------------|---------|-------|----------|-----------------------|----------------------|------------------|
| | Alex | | 15.01.17 | TYW25.000.000 | Vehicle Manufacturer | Toyota |
| | Charnay | | 12.03.08 | | Vehicle Model | Land Cruiser 120 |
| | David | | | Drawing description | Vehicle Version | 5 doors |
| | Dani | | | Mounting hidden plate | Year of Production | 2003-2009 |
| ASFIR LTD. | | | | Catalogue number | Gear Shift | Automatic |
| | | | | 560021 | Motor Model | Diesel |
| | | | | Sheet | Sheets 1 | Transmission |