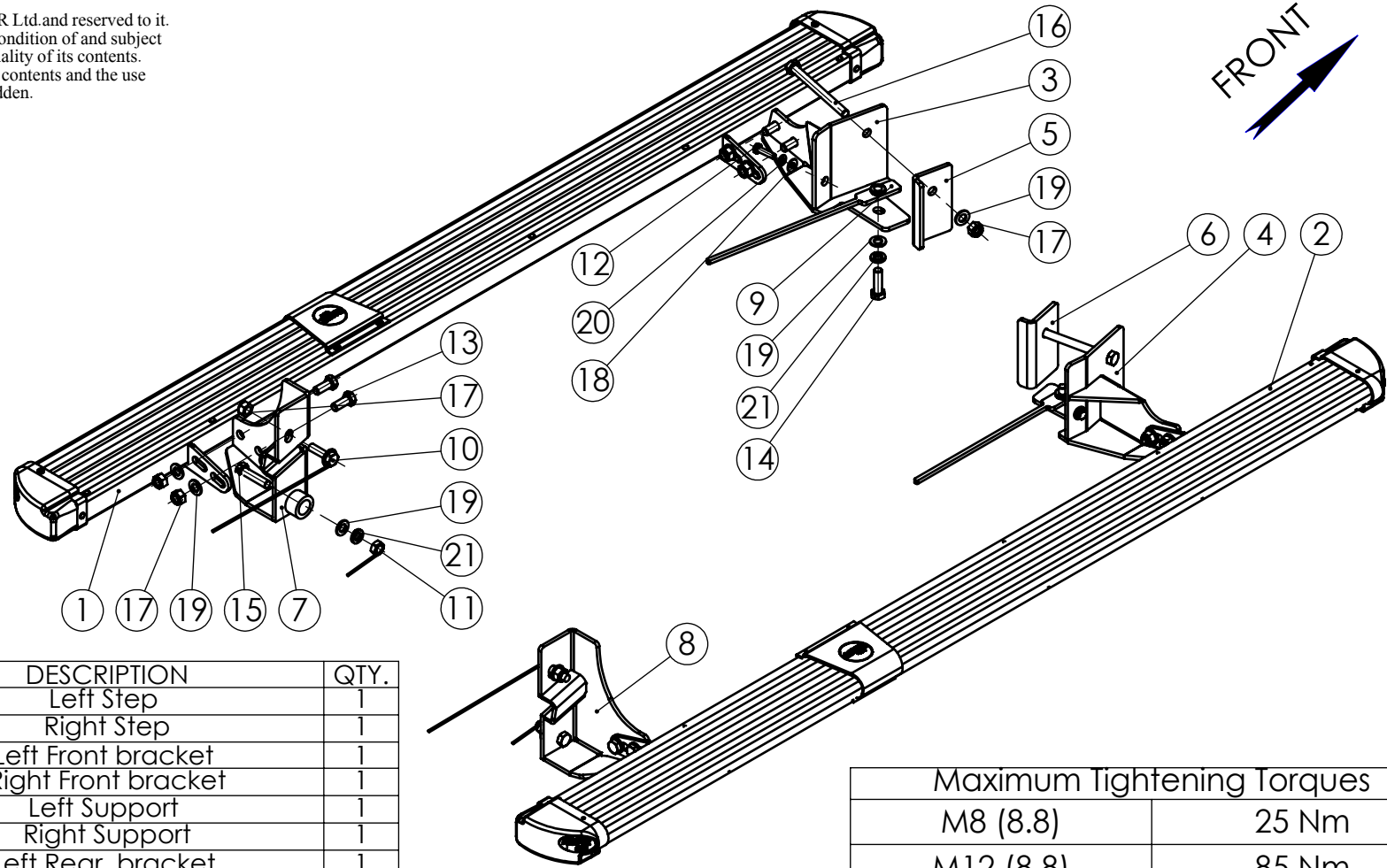


Confidential

All rights in and to this document are property of ASFIR Ltd. and reserved to it. This document is forwarded to the recipient under the condition of and subject to the obligation of the recipient to keep the confidentiality of its contents. Copying, transfer or distribution of this document or its contents and the use of it not for the purpose intended-are strictly forbidden.



| NO. | PART NUMBER    | DESCRIPTION                     | QTY. |
|-----|----------------|---------------------------------|------|
| 1   | TYM79.100.000  | Left Step                       | 1    |
| 2   | TYM79.100.000R | Right Step                      | 1    |
| 3   | TYM44.030.000L | Left Front bracket              | 1    |
| 4   | TYM44.030.000R | Right Front bracket             | 1    |
| 5   | TYM44.000.001L | Left Support                    | 1    |
| 6   | TYM44.000.001R | Right Support                   | 1    |
| 7   | TYM44.020.000L | Left Rear bracket               | 1    |
| 8   | TYM44.020.000R | Right Rear bracket              | 1    |
| 9   | TYM27.000.004  | Spaser Nut M12                  | 2    |
| 10  | TYM44.040.000  | Bolt M12x40 with rod            | 2    |
| 11  | TYM44.060.000  | Rod with Nut M12                | 2    |
| 12  | 1209           | Hex Bolt M8x30 DIN 933          | 2    |
| 13  | 1248           | Hex Bolt M12x1.75x30 DIN 933    | 8    |
| 14  | 1004           | Hex bolt M12x1.75x40 DIN933     | 2    |
| 15  | 1050           | Hex bolt M12x1.75x50 DIN 931    | 2    |
| 16  | 1200           | Hex bolt M12x1.75x150 DIN 931   | 2    |
| 17  | 3001           | Hex Nut Nylock M12x1.75 DIN 985 | 12   |
| 18  | 6003           | Washer 8x20 DIN 125             | 2    |
| 19  | 6006           | Washer 12x24 DIN 125            | 16   |
| 20  | 6001           | Spring washer 8 DIN 127         | 2    |
| 21  | 6005           | Spring washer 12 DIN 127        | 4    |

| Maximum Tightening Torques |       |
|----------------------------|-------|
| M8 (8.8)                   | 25 Nm |
| M12 (8.8)                  | 85 Nm |

|   |         |       | Drawing number |                     | Product Description        |                   |
|---|---------|-------|----------------|---------------------|----------------------------|-------------------|
| CHG.  | NAME    | SIGN. | DATE           | TYM79.000.000       | Vehicle Manuf.             | TOYOTA            |
| DWN.  | Charnay |       | 22.12.16       |                     | Vehicle Model              | LAND CRUISER 200  |
| PLN.  | David   |       | 16.12.10       |                     | Vehicle Version            | LWB               |
| CONFIRM   | Dani    |       | 22.12.16       |                     | VIN                        | JTMJV03J7D4105899 |
| <h1 style="text-align: center;">ASFIR LTD.</h1> |         |       |                | Drawing description | Side Step Protector Silver |                   |
|   |         |       |                | Catalogue number    | 558053                     |                   |
|   |         |       |                | Weight,kg           | 35                         |                   |
|   |         |       |                | Year of Product.    | 2007-2014                  |                   |
|   |         |       |                | Gear Shift          | Automatic / Manual         |                   |
|   |         |       |                | Motor Model         | Diesel / Petrol            |                   |
|   |         |       |                | Transmission        | 4X4                        |                   |