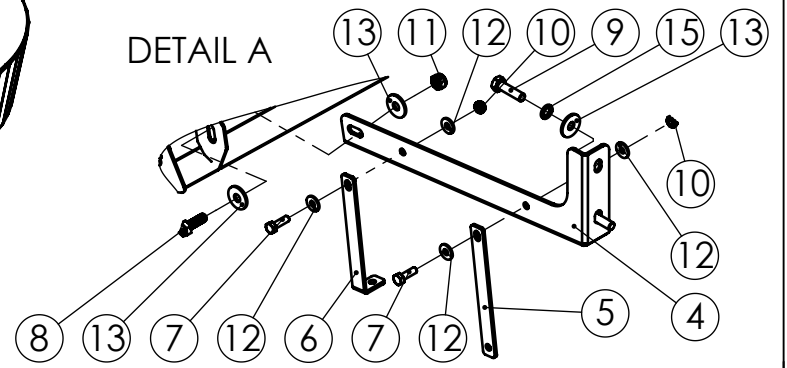


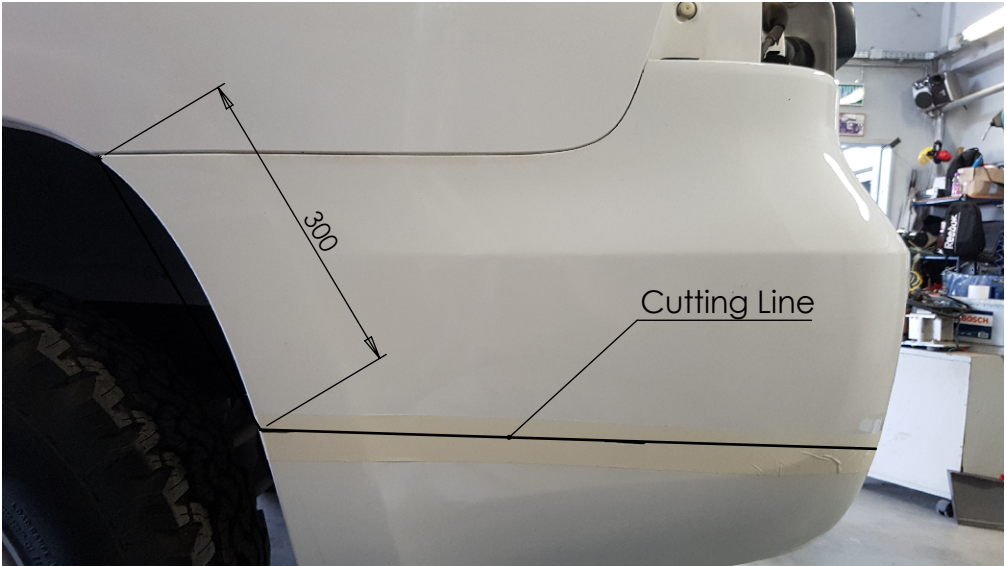
NO.	PART NUMBER	DESCRIPTION	QTY
1	TYW89.100.000	Rear Bumper	1
2	TYW89.000.001	Left Spacer Nut M8	1
3	TYW89.000.002	Left Support	1
4	TYW89.000.003	Right Support	1
5	TYW89.000.004	Holder	2
6	TYW89.000.005	Holder	2
7	1104	Hex Bolt M6x20 DIN 933	8
8	1168	Hex Bolt M8x25 DIN 933	2
9	1209	Hex Bolt M8x30 DIN 933	4
10	3006	Hex Nut Nylock M6 DIN 985	8
11	3005	Hex Nut Nylock M8 DIN 985	2
12	6018	Washer 6x16	16
13	6000	Washer 8x24 DIN 9021	8
14	6009	Spring washer 6 DIN 127	1
15	6001	Spring washer 8 DIN 127	4
16	6946	Low Rubber U Shape for 3 mm L=3100 mm	1



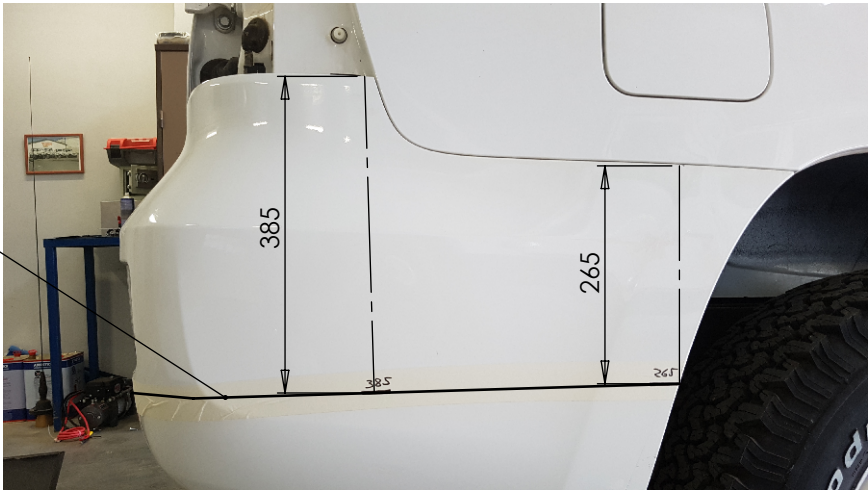
CHG.	NAME	SIGN.	DATE	Drawing number	Product Description	
				TYW89.000.000	Vehicle Manuf.	TOYOTA
	Leonid		9.11.16		Vehicle Model	Land Cruiser 200
	David			Drawing description	Vehicle Version	5 DOORS
	Dani			Rear Bumper	VIN	JTMJV03J7D4105899
ASFIR LTD.				Catalogue number	Year of Product.	2009 - 2014
				558041	Gear Shift	Automatic/ Manual
					Motor Model	Diesel/ Petrol
				Weight,kg 4 Sheet 1 Sheets 2	Transmission	4X4

Confidential
 All rights in and to this document are property of ASFIR Ltd. and reserved to it. This document is forwarded to the recipient under the condition of and subject to the obligation of the recipient to keep the confidentiality of its contents. Copying transfer of distribution of this document or its contents and the use of it not for the purpose intended are strictly forbidden.

Cutting of the Original Bumper



Cutting Line



Cutting Line

Confidential

All rights in and to this document are property of ASFIR Ltd. and reserved to it. This document is forwarded to the recipient under the condition of and subject to the obligation of the recipient to keep the confidentiality of its contents. Copying transfer of distribution of this document or its contents and the use of it not for the purpose intended are strictly forbidden.

ASFIR LTD.	Drawing number TYW89.000.000	Drawing description ATL Winch Bumper	
		Sheet 2	Sheets 3