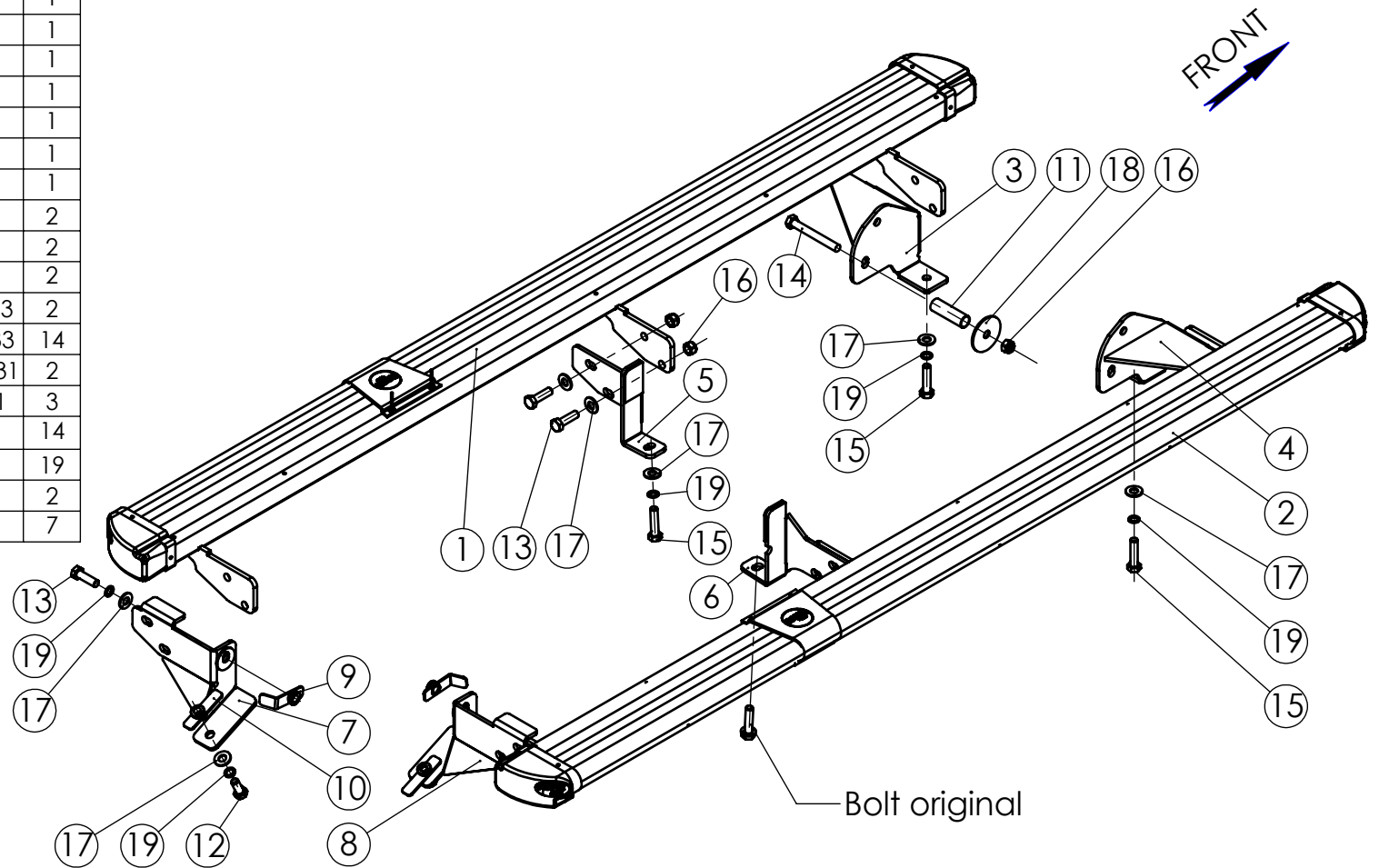


NO.	PART NUMBER	DESCRIPTION	QTY.
1	JPM60.100.000	Left step	1
2	JPM60.100.000R	Right step	1
3	JPM31.000.001L	Front Left Bracket	1
4	JPM31.000.001R	Front right bracket	1
5	JPM31.060.000	Middle left bracket	1
6	JPM31.070.000	Middle right bracket	1
7	JPM60.030.000	Rear Left Bracket	1
8	JPM60.040.000	Rear right bracket	1
9	JPM31.030.000	Bracket	2
10	JPM31.040.000	Bracket	2
11	8550	Spacer 1/2" L=67	2
12	1248	Hex Bolt M12x1.75x30 DIN 933	2
13	1004	Hex bolt M12x1.75x40 DIN 933	14
14	1028	Hex Bolt M12x1.75x100 DIN 931	2
15	1233	Hex Bolt M12x1.5x50 DIN 961	3
16	3001	Hex Nut Nylock M12x1.75	14
17	6006	Washer 12X27x3	19
18	6062	Washer 12x63 DIN 9021	2
19	6005	Spring washer 12 DIN 127	7



Maximum Tightening Torques	
M12 (8.8)	85 Nm

CHG.	NAME	SIGN.	DATE	Drawing number	Product Description	
	David		05.04.17	JPM60.000.000	Vehicle Manufacturer	Jeep
DWN.	Slava		03.08.10		Vehicle Model	JK Wrangler
CHKD.	David		05.04.17	Drawing description	Vehicle Version	LWB
CONFIRM	Dani			Side step protector Silver	Year of Production	2007-2017
ASFIR LTD.				Catalogue number	Gear Shift	Automatic
				547058	Motor Model	Petrol 3.8L; 3.6L
				Weight, kg 30	Transmission	4 x 4

Confidential
All rights in and to this document are property of ASFIR Ltd. and reserved to it. This document is forwarded to the recipient under the condition of and subject to the obligation of the recipient to keep the confidentiality of its contents. Copying transfer of distribution of this document or its contents and the use of it not for the purpose intended-are strictly forbidden.