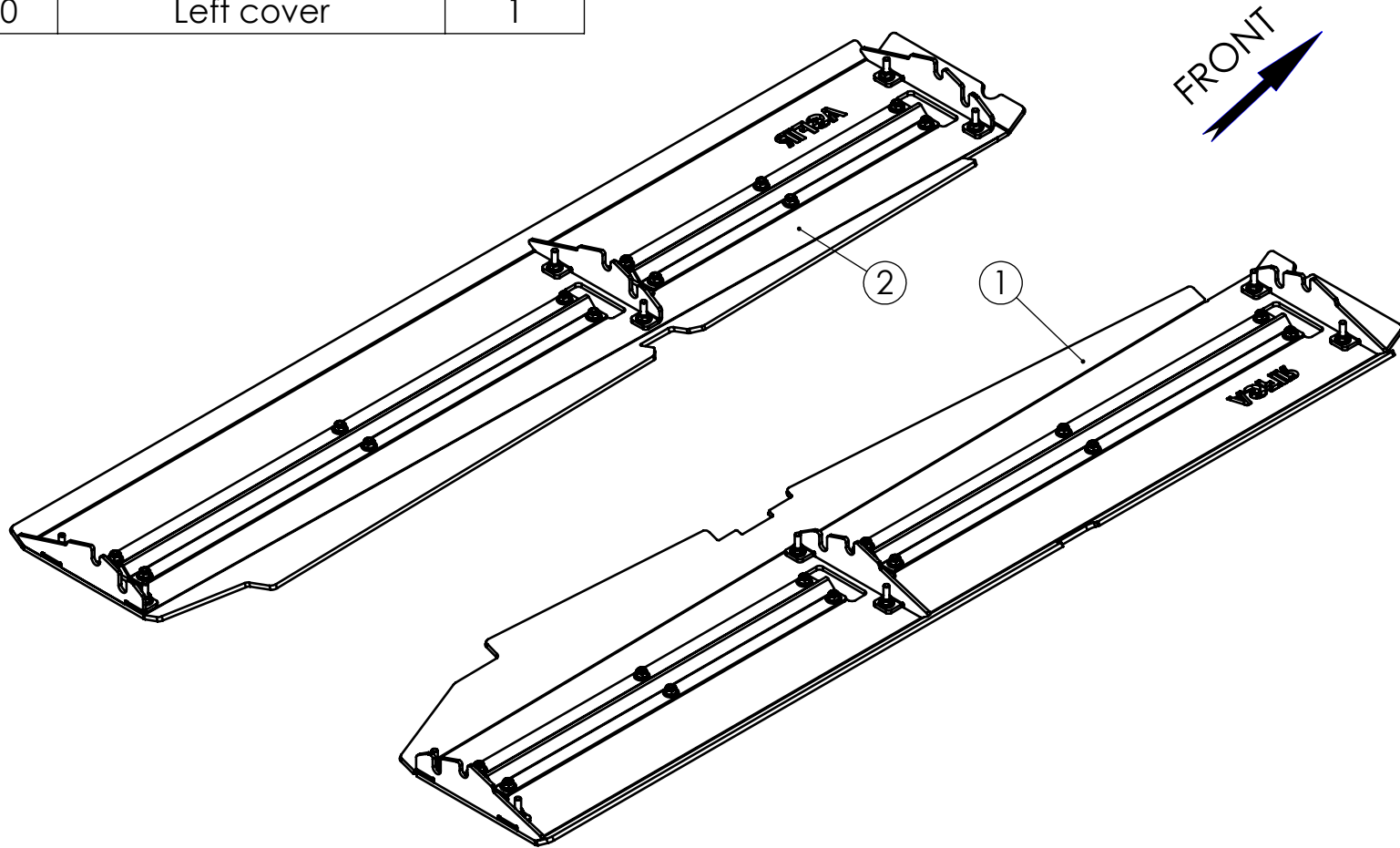


ITEM NO.	PART NUMBER	DESCRIPTION	QTY.
1	JPM58.010.000	Right cover	1
2	JPM58.020.000	Left cover	1



				Drawing number	Product Description	
CHG.	David		04.04.17	JPM58.000.000	Vehicle Manuf.	JEEP
DWN.	Slava		19.09.10		Vehicle Model	JK WRANGLER J8
PLN.	David		04.04.17	Drawing description	Motor Model	PETROL 3.8L; 3.6L DIESEL 2.8 JWF5 DIESEL
CONFIRM	Dani			Side covers	Vehicle Version	LWB
<b>ASFIR LTD.</b>					Catalogue number	VIN
				547054	Year of Product.	2007-2017
				Weight,kg 26	Gear Shift	AUTOMATIC
					Transmission	4x4

Confidential

All rights in and to this document are property of ASFIR Ltd. and reserved to it. This document is forwarded to the recipient under the condition of and subject to the obligation of the recipient to keep the confidentiality of its contents. Copying, transfer or distribution of this document or its contents and the use of it not for the purpose intended-are strictly forbidden.