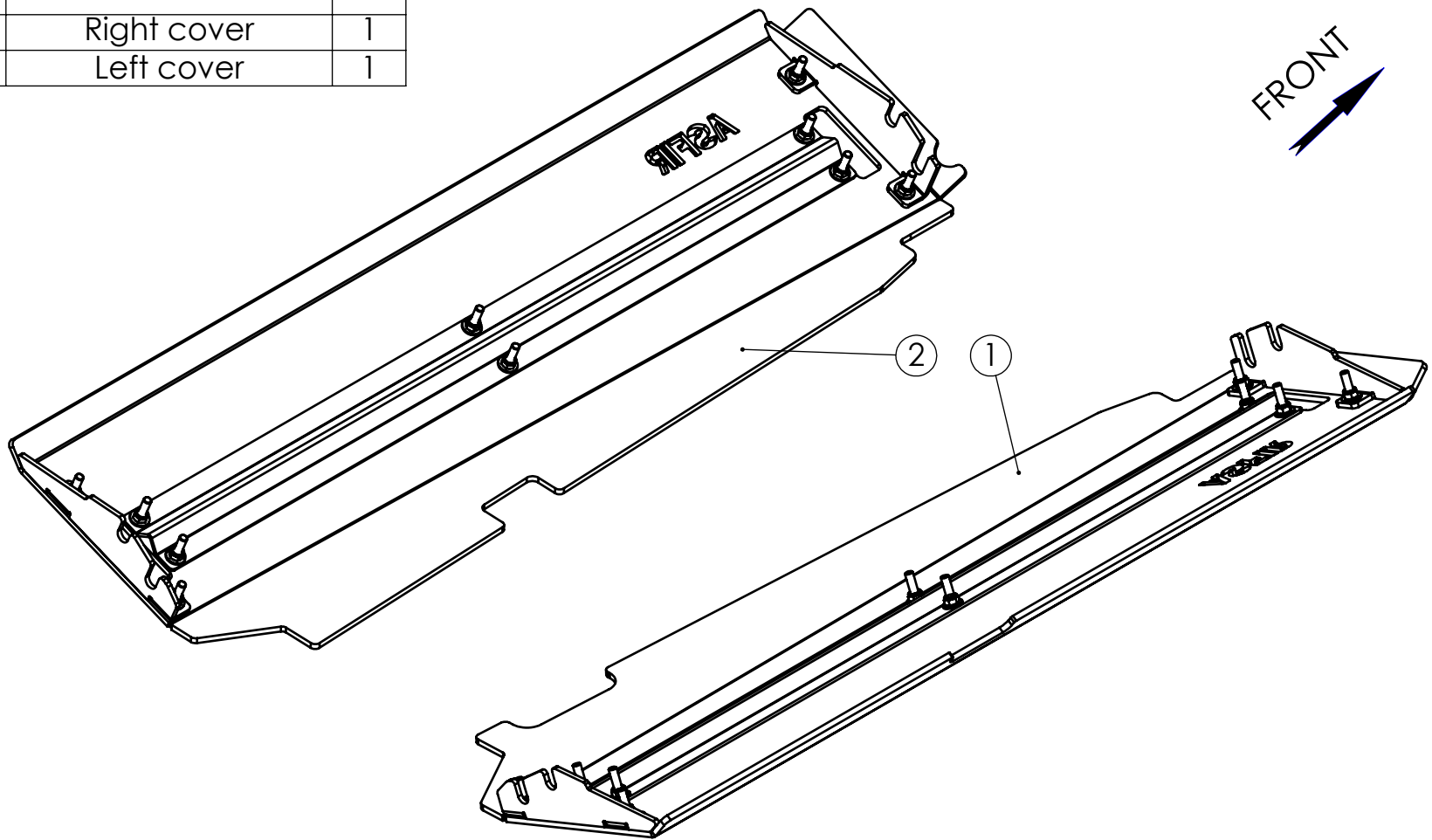


ITEM NO.	PART NUMBER	DESCRIPTION	QTY.
1	JPM62.010.000	Right cover	1
2	JPM62.020.000	Left cover	1



NAME	SIGN.	DATE	Drawing number	Product Description	
CHG. David		04.04.17	JPM62.000.000	Vehicle Manuf.	JEEP
DWN. Charnay		17.09.10	Drawing description Side covers	Vehicle Model	JK WRANGLER
PLN. David		04.04.17		Vehicle Version	SWB
CONFIRM Dani			Catalogue number	Year of Product.	2007-2017
ASFIR LTD.			547039	Gear Shift	AUTOMATIC
			Weight,kg 17.6	Motor Model	PETROL 3.8L; 3.6L
				Transmission	4x4

Confidential

All rights in and to this document are property of ASFIR Ltd. and reserved to it. This document is forwarded to the recipient under the condition of and subject to the obligation of the recipient to keep the confidentiality of its contents. Copying, transfer or distribution of this document or its contents and the use of it not for the purpose intended-are strictly forbidden.