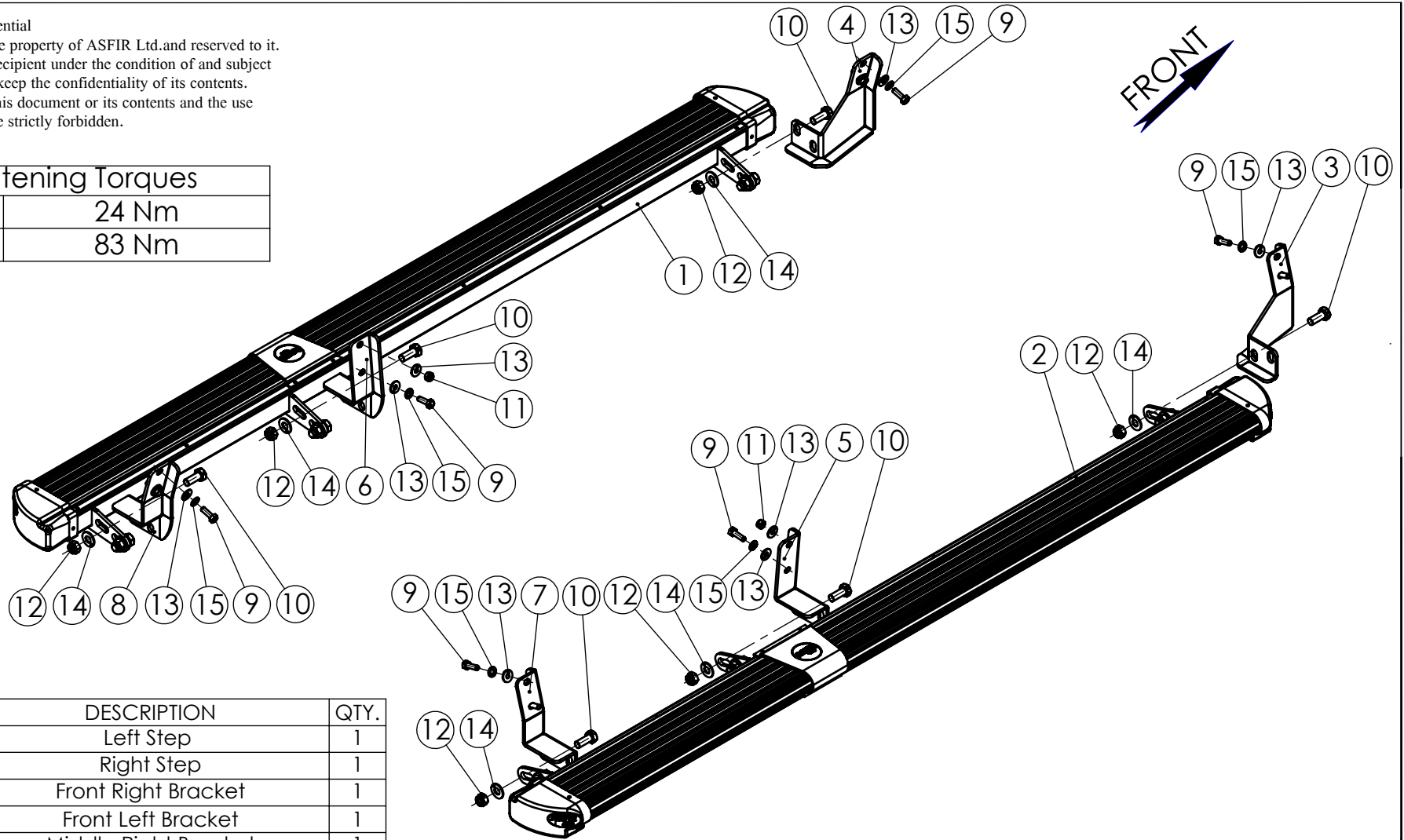


Confidential

All rights in and to this document are property of ASFIR Ltd. and reserved to it. This document is forwarded to the recipient under the condition of and subject to the obligation of the recipient to keep the confidentiality of its contents. Copying, transfer or distribution of this document or its contents and the use of it not for the purpose intended-are strictly forbidden.

Maximum Tightening Torques

M8 (8.8)	24 Nm
M12 (8.8)	83 Nm



NO.	PART NUMBER	DESCRIPTION	QTY.
1	TYM83.100.000	Left Step	1
2	TYM83.100.000R	Right Step	1
3	TYM83.030.000	Front Right Bracket	1
4	TYM83.040.000	Front Left Bracket	1
5	TYM83.050.000	Middle Right Bracket	1
6	TYM83.060.000	Middle Left Bracket	1
7	TYM83.070.000	Rear Right Bracket	1
8	TYM83.080.000	Rear Left Bracket	1
9	1168	Hex Bolt M8x25 DIN 933	10
10	1012	Hex bolt M12x1.75x30 DIN 933	12
11	3005	Hex Nut Nylock M8 DIN 985	2
12	3001	Hex Nut Nylock M12x1.75 DIN 985	12
13	6003	Washer 8x21 DIN 125	12
14	6006	Washer 12x27 DIN125	12
15	6001	Spring washer 8 DIN 127	10

NAME	SIGN.	DATE	Drawing number	Product Description	
CHG. CHARNAY		14.08.12	TYM83.000.000	Vehicle Manuf.	TOYOTA
DWN. CHARNAY		15.05.12		Vehicle Model	LAND CRUISER 80
PLN. DAVID		14.08.12	Drawing description	Vehicle Version	LWB
CONFIRM. DANI			Side Step Protector	VIN	JT3DJ81W4S0094519
ASFIR LTD.				Catalogue number	Year of Product.
			534250	Gear Shift	AUTOMATIC
			Weight,kg 26	Motor Model	PETROL
				Transmission	4X4