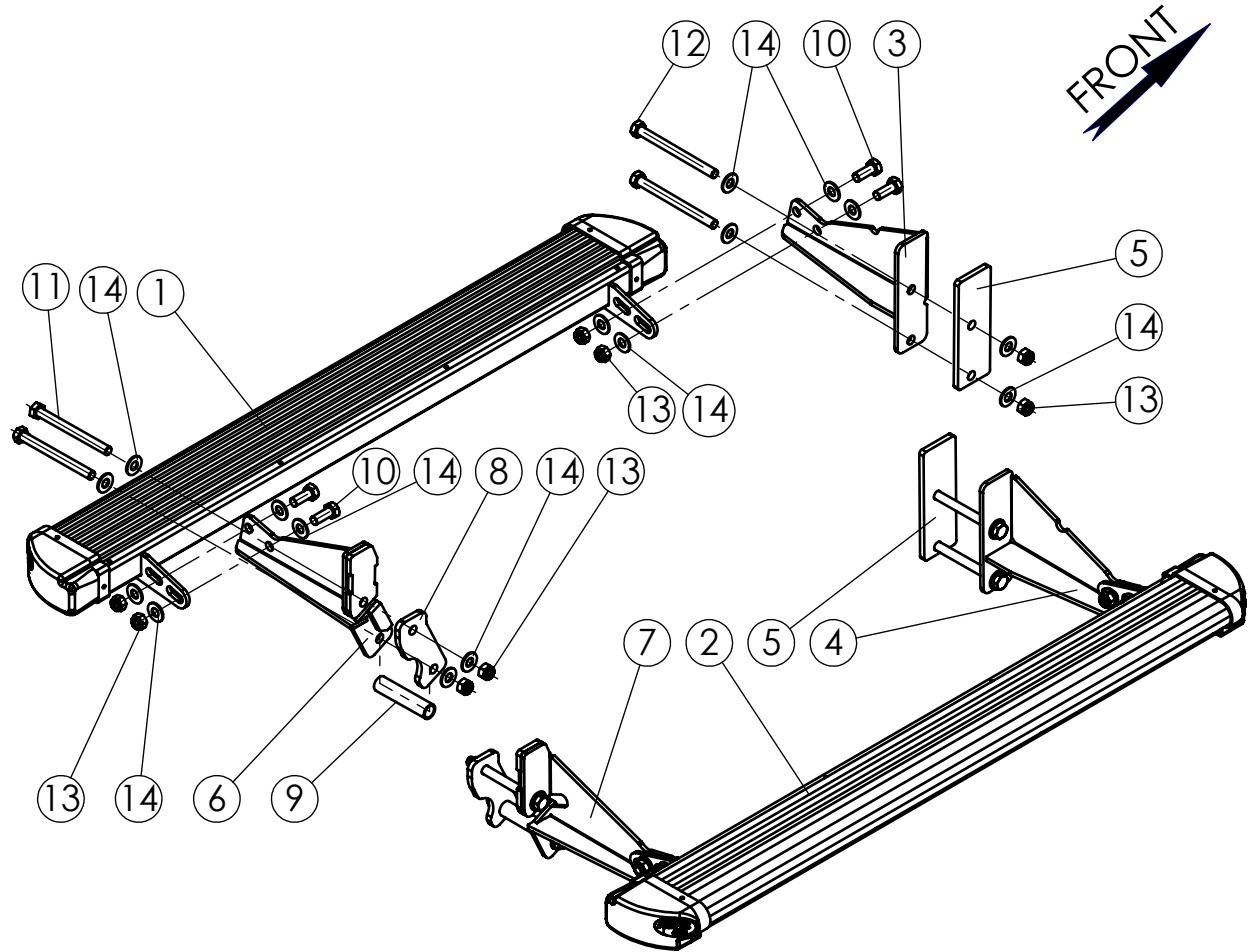


ITEM NO.	PART NUMBER	DESCRIPTION	QTY.
1	TYM57.100.000	LEFT STEP	1
2	TYM57.100.000R	RIGHT STEP	1
3	TYM21.000.001L	LEFT BRACKET	1
4	TYM21.000.001R	RIGHT BRACKET	1
5	TYM21.000.004	FRONT CONNECT	2
6	TYM21.030.000L	LEFT REAR BRACKET	1
7	TYM21.030.000R	RIGHT REAR BRACKET	1
8	TYM57.000.001	REAR CONNECT	2
9	8520	SPACER 1/2" L=93	2
10	1012	Hex bolt M12x1.75x30 DIN 933	8
11	1014	Hex bolt M12x1.75x130 DIN 931	4
12	1015	Hex bolt M12x1.75x140 DIN 931	4
13	3013	Hex Nut Nylock M12x1.75 DIN 985	16
14	6006	Washer 12x24 DIN125	32



Maximum Tightening Torques	
M12 (8.8)	85 Nm

			Drawing number	Product Description		
CHG.	Charnay		TYM57.000.000	Vehicle Manuf.	TOYOTA	
DWN.	Charnay			Vehicle Model	LAND CRUISER	
PLN.	David	<i>David 2016</i>	Drawing description Side Step Protector Silver	Vehicle Version	KDJ155L - GJAEYW	
CONFIRM	Dani			VIN	JTECH3FJ905001251	
ASFIR LTD.			Catalogue number	Year of Product.	2010-2015	
			534151	Gear Shift	AUTOMATIC	
			Weight,kg	23	Motor Model	DIESEL 3.0L
					Transmission	4X4

Confidential

All rights in and to this document are property of ASFIR Ltd. and reserved to it. This document is forwarded to the recipient under the condition of and subject to the obligation of the recipient to keep the confidentiality of its contents. Copying, transfer or distribution of this document or its contents and the use of it not for the purpose intended-are strictly forbidden.