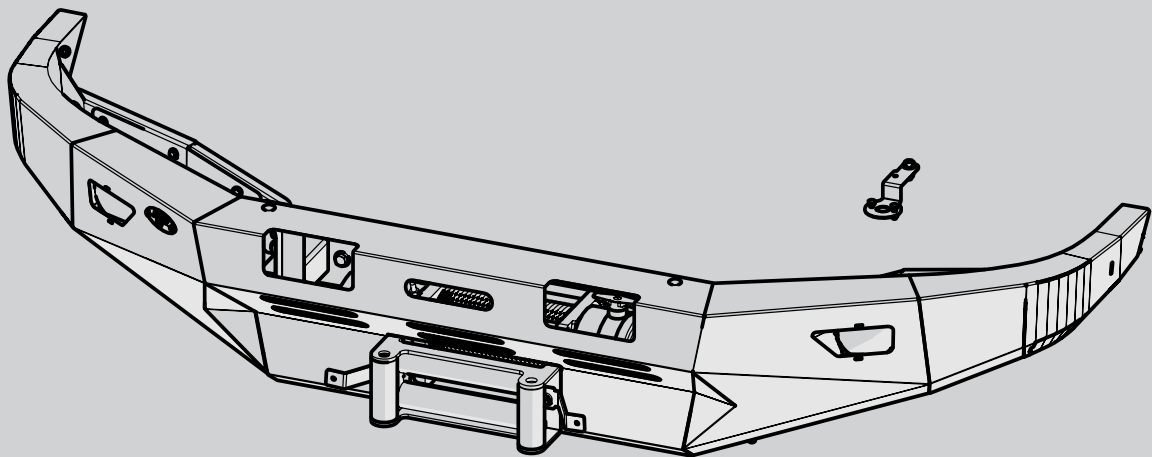
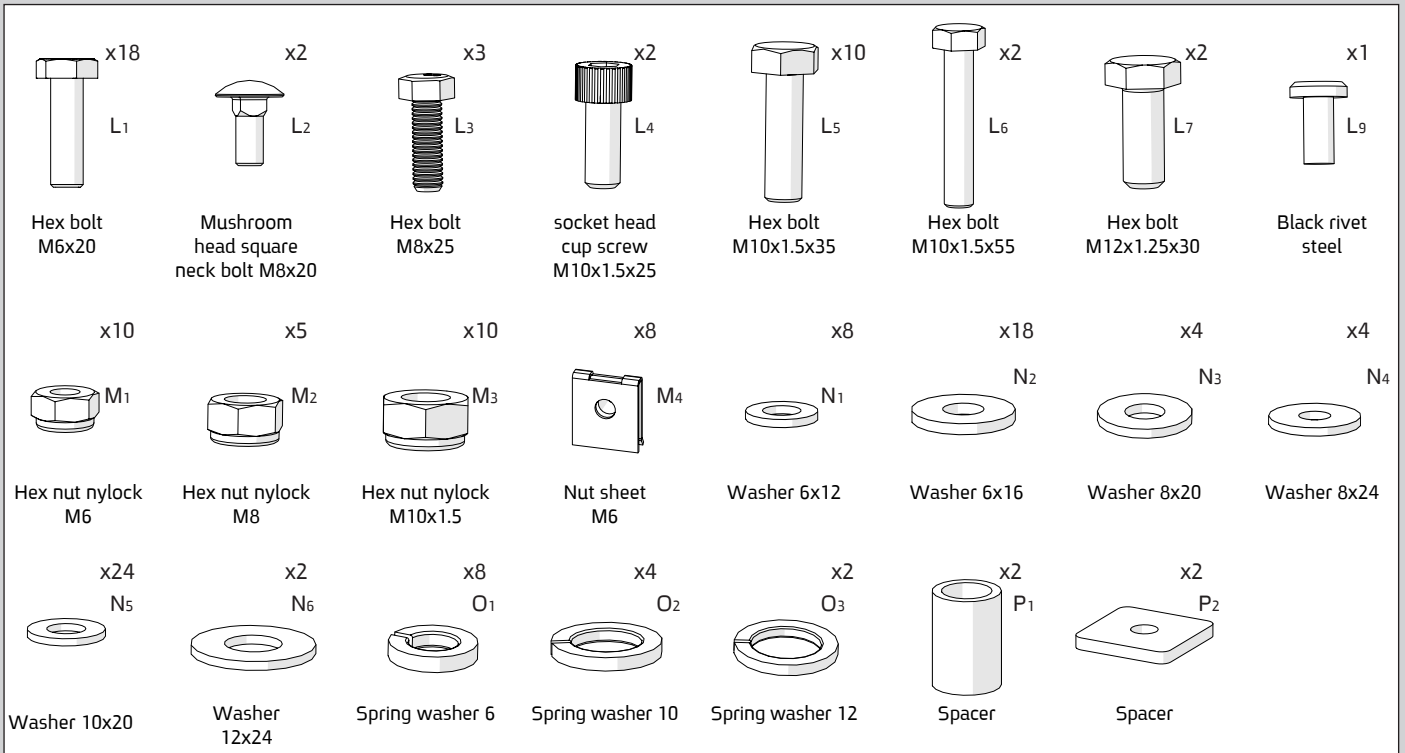
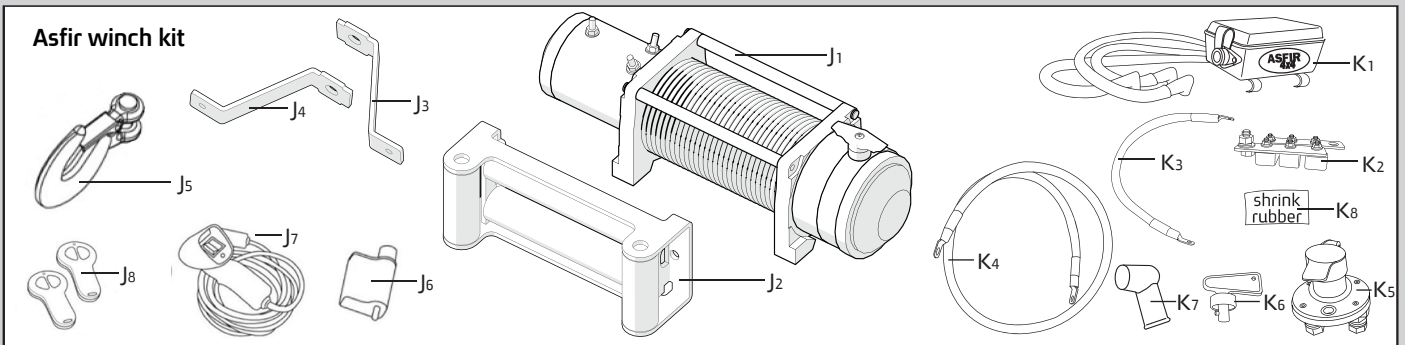
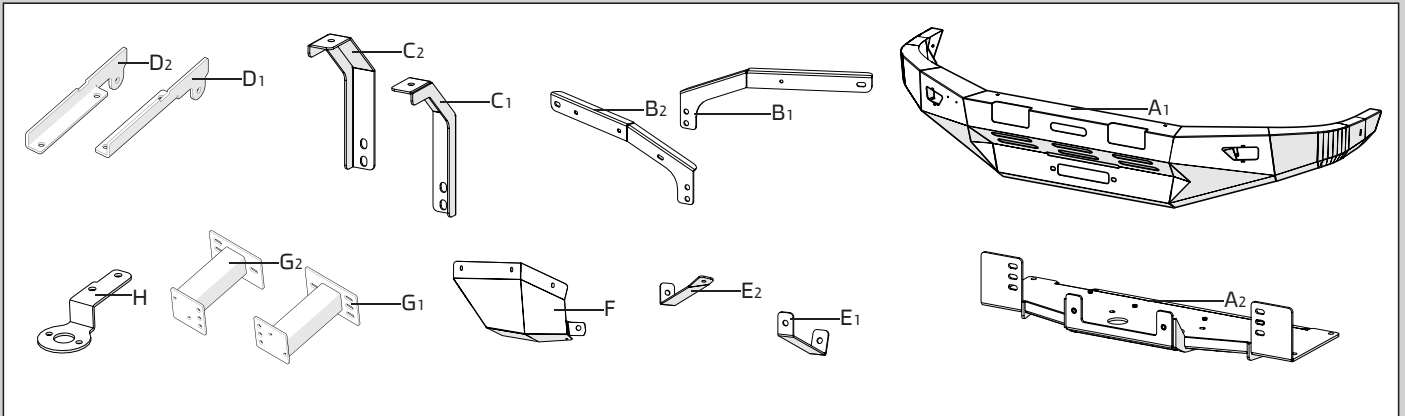
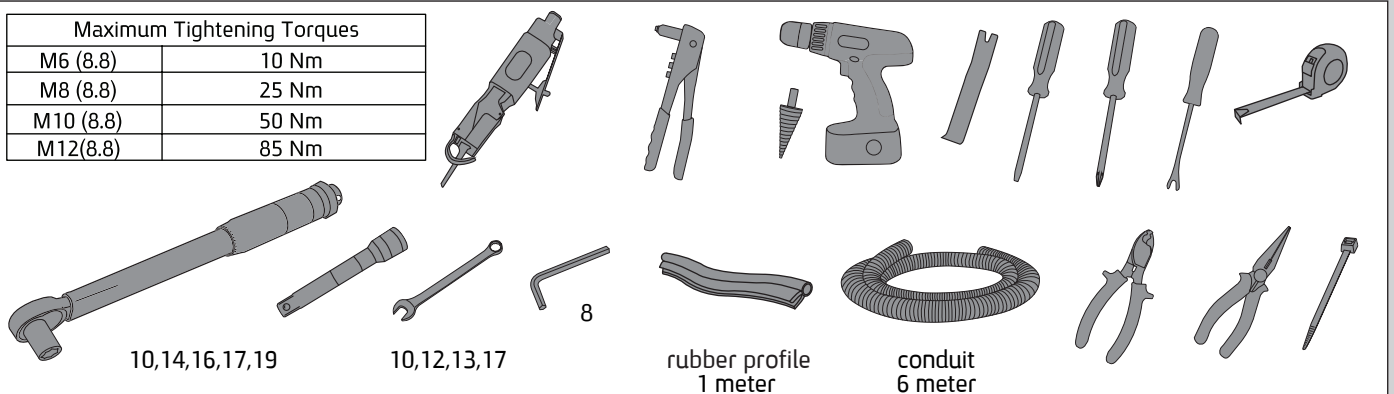


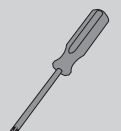
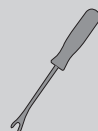
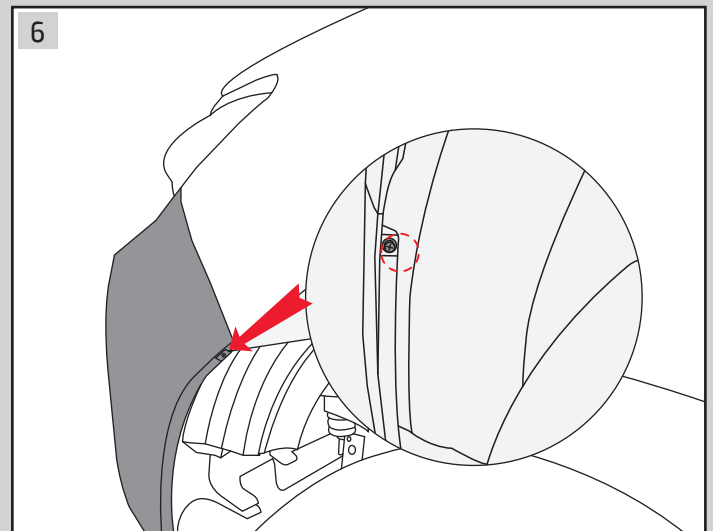
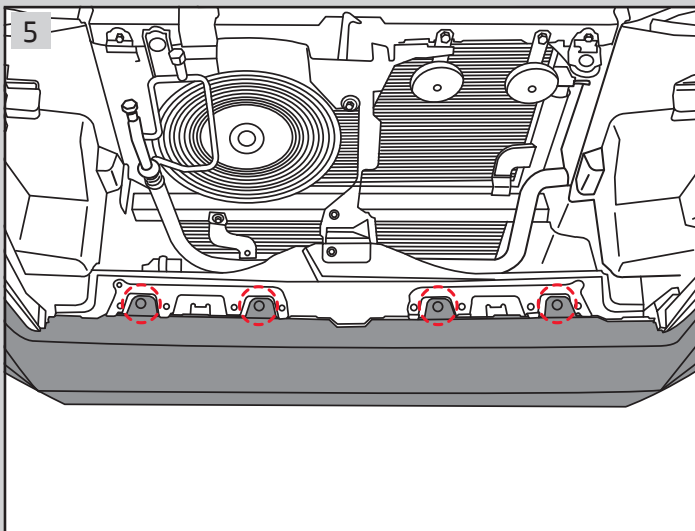
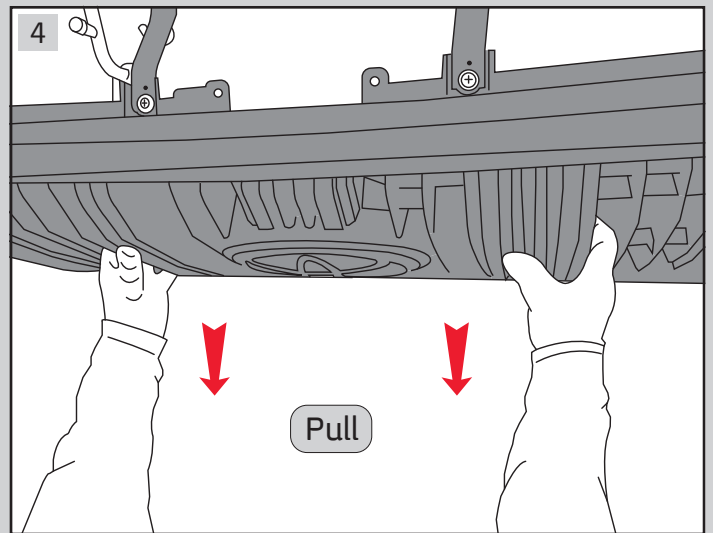
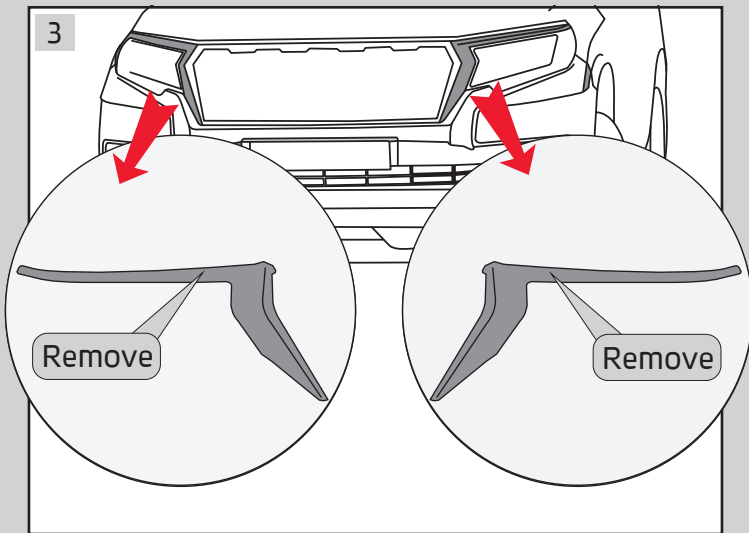
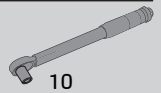
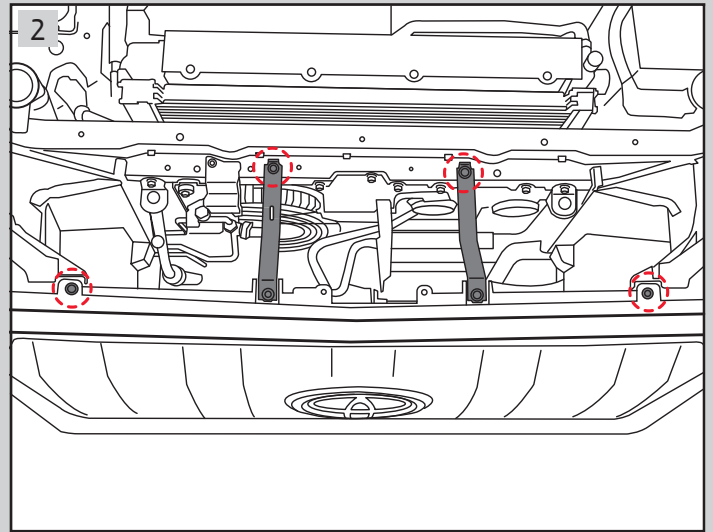
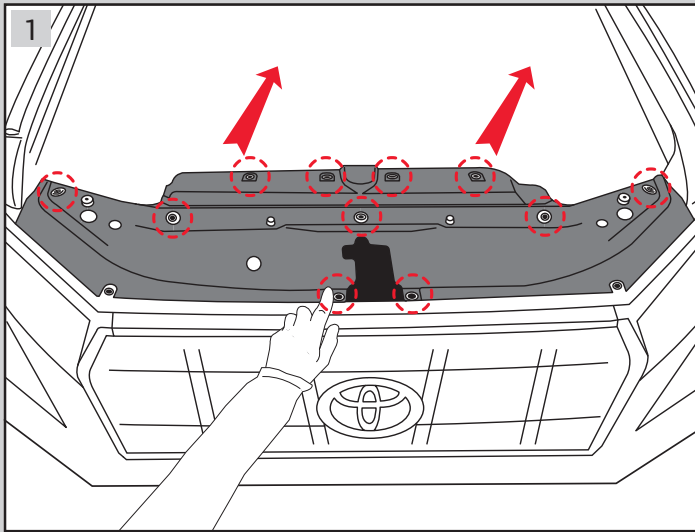
ATL Winch Bumper Mounting instructions for Land Cruiser 150/155 2018

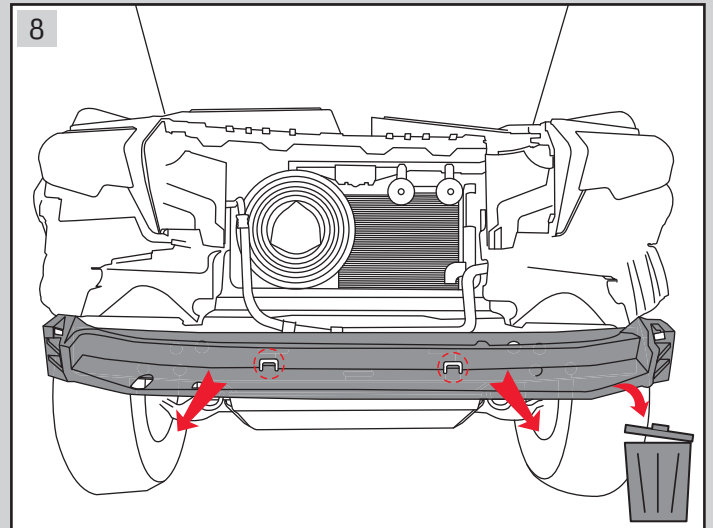
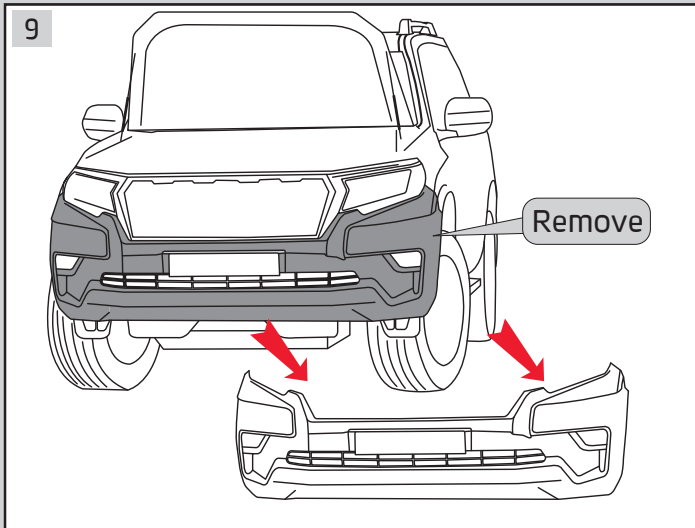
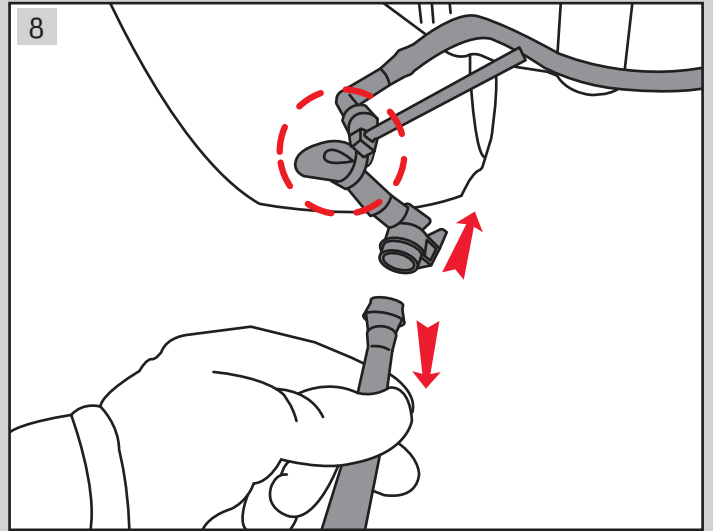
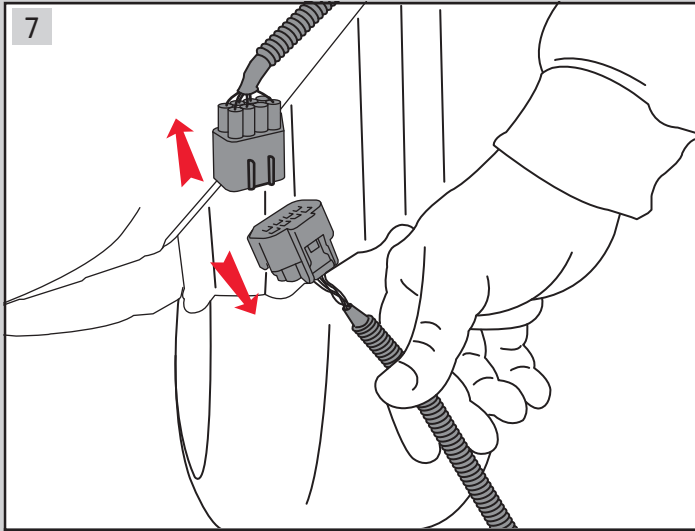




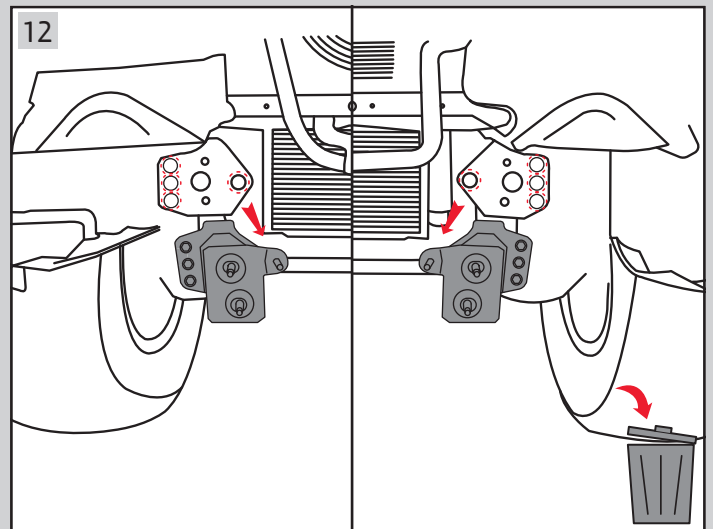
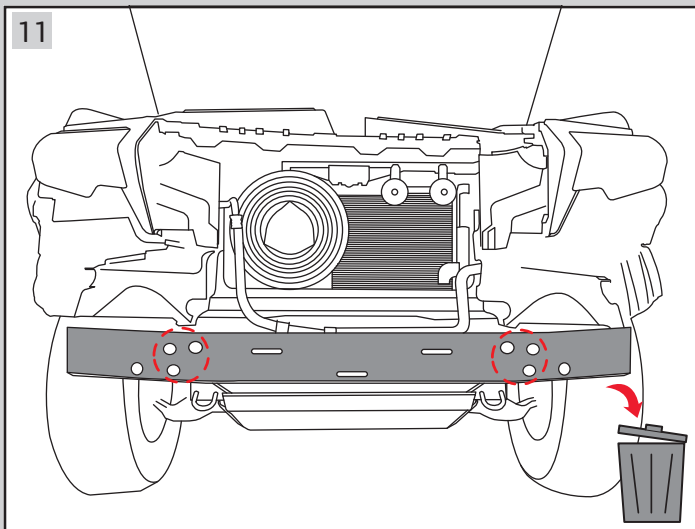
Maximum Tightening Torques	
M6 (8.8)	10 Nm
M8 (8.8)	25 Nm
M10 (8.8)	50 Nm
M12(8.8)	85 Nm



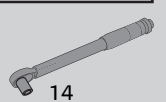
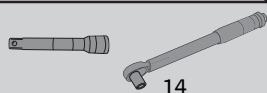


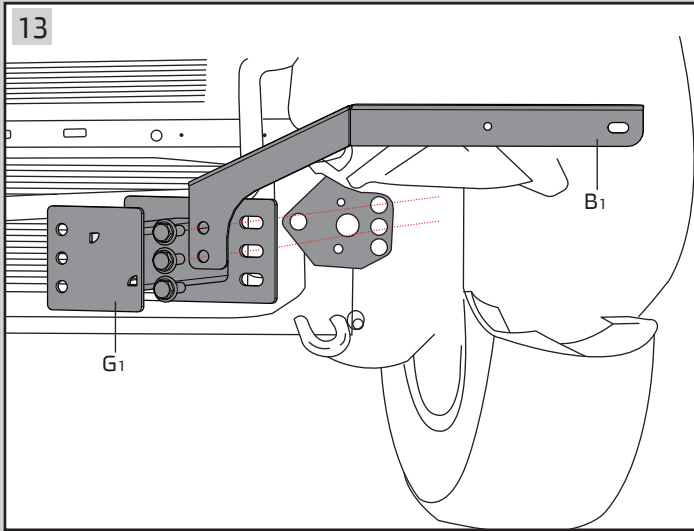


After removing the bumper, disconnect water pipes, electric cables and lights from original bumper

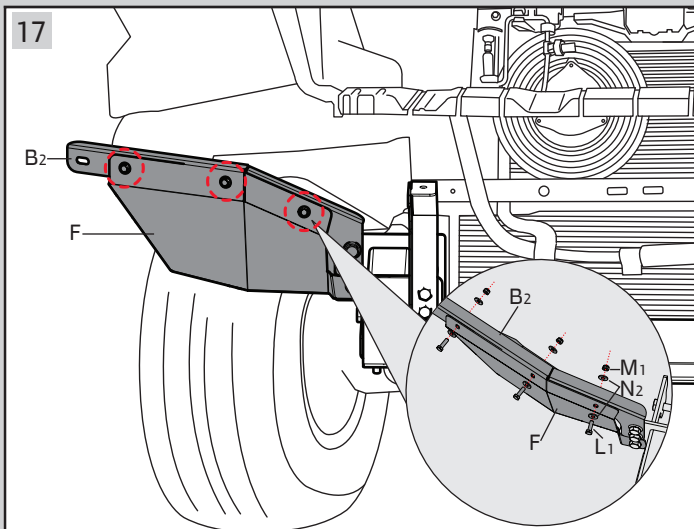
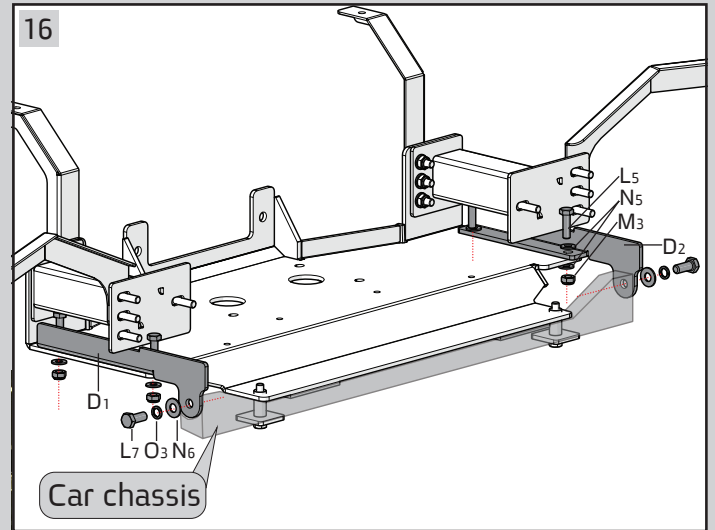
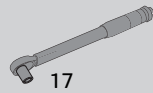
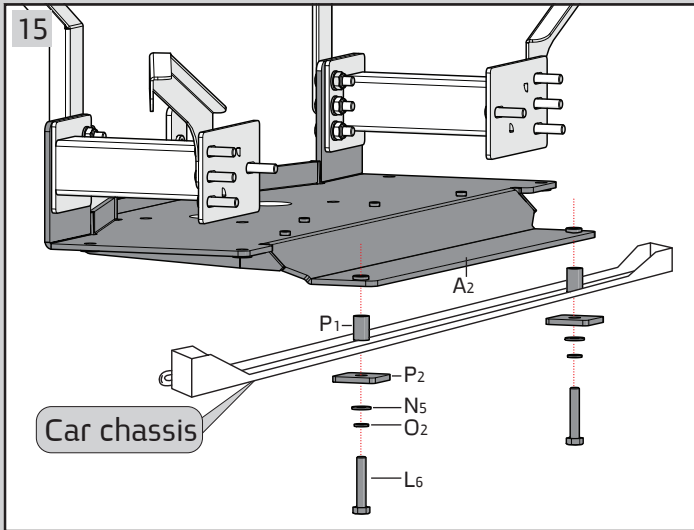
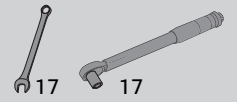
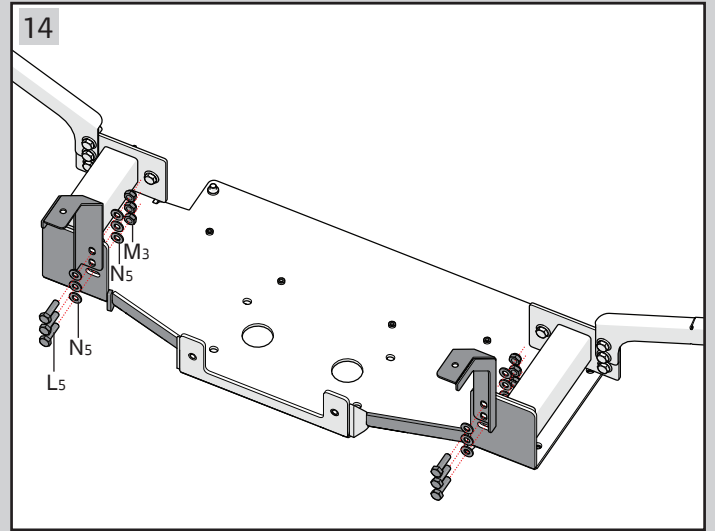
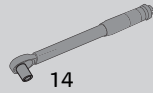


Keep original bolts

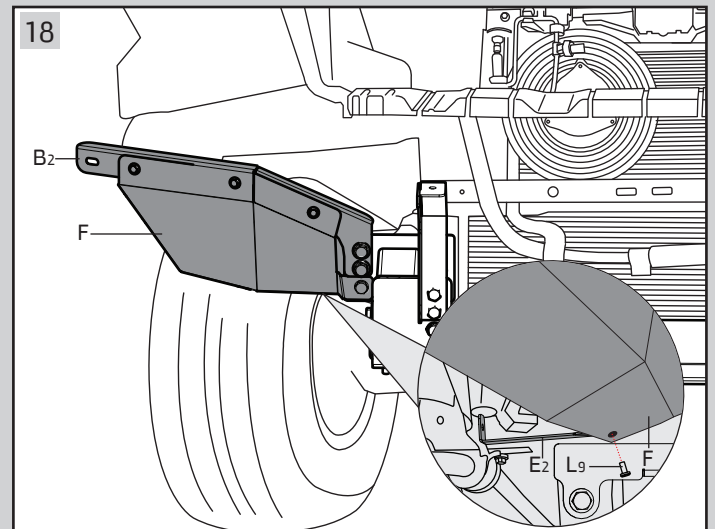
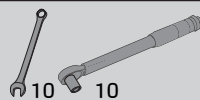


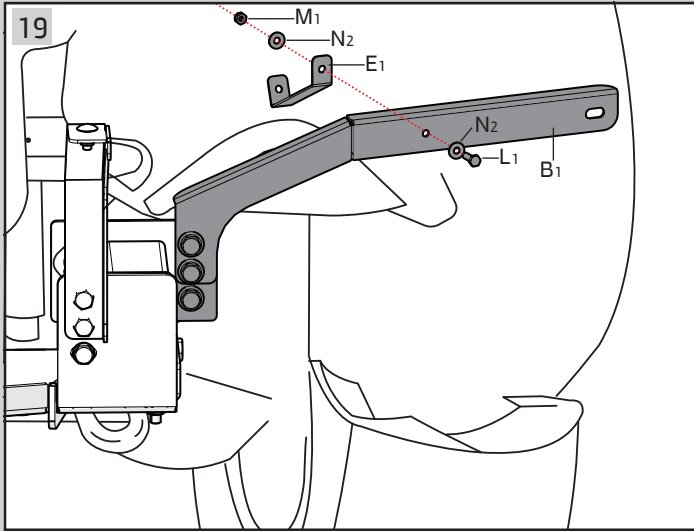


Use original bolts.
Connect brackets G₂ and B₂ on the right
side of the vehicle

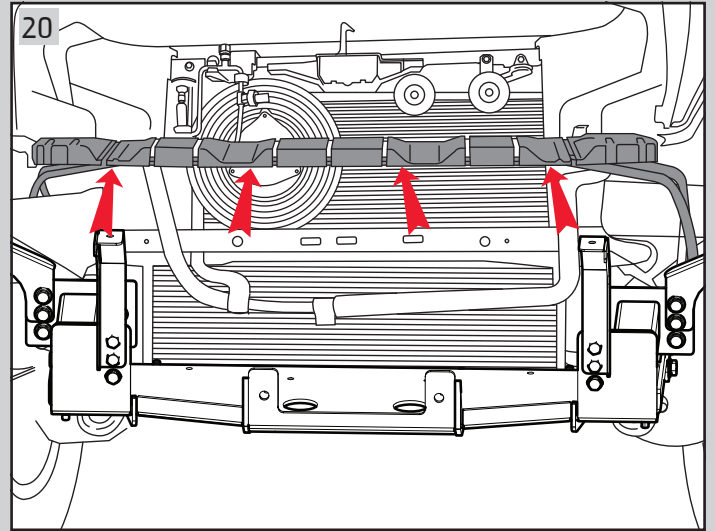
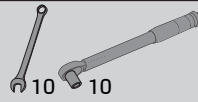


On the right side of the vehicle
connect shield F

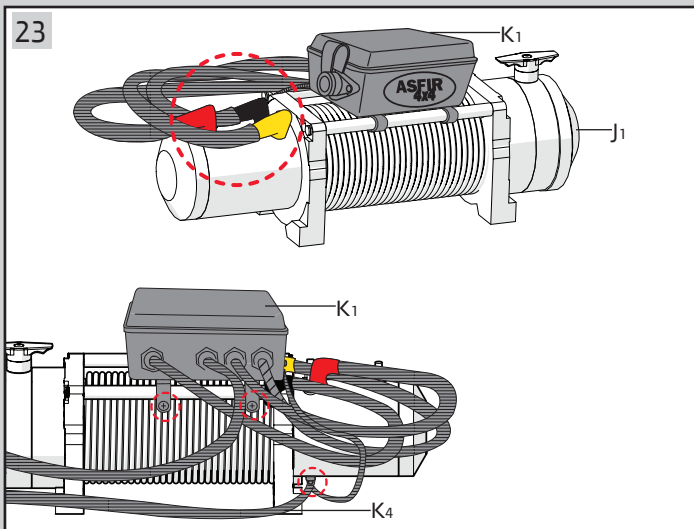
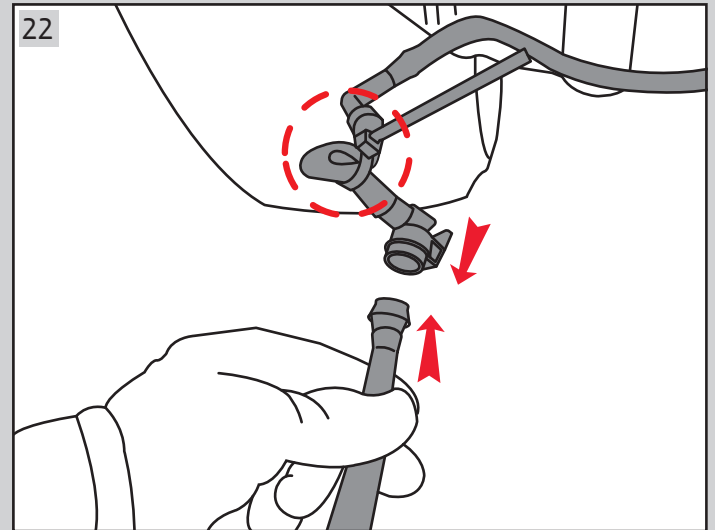
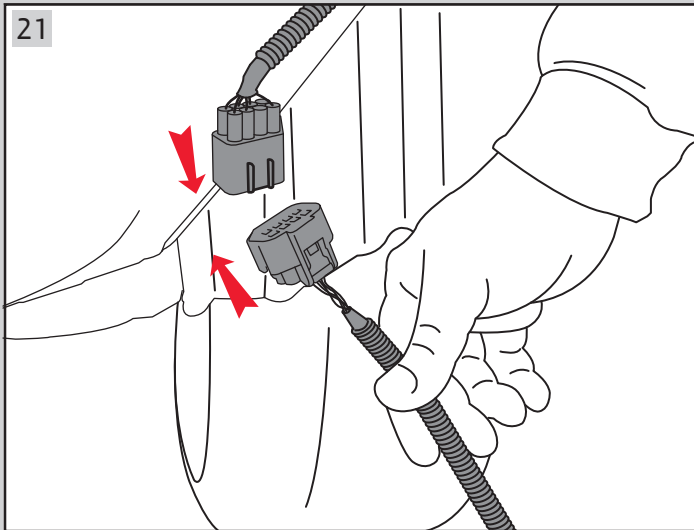




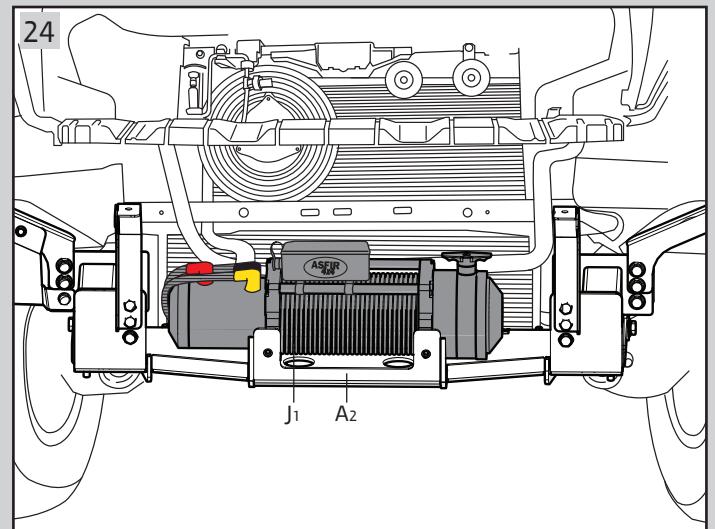
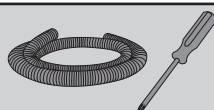
Tighten all bolts



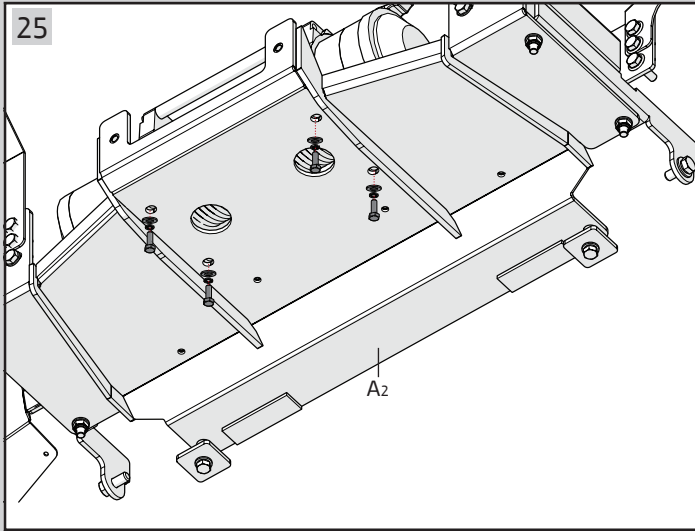
Transfer cables and pipes internally as above and attach with plastic handcuffs



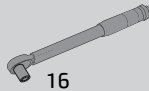
Place control box K₁ on winch J₁ as shown above



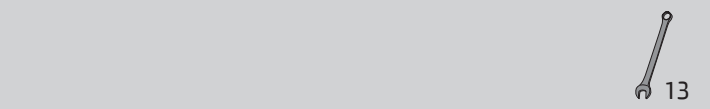
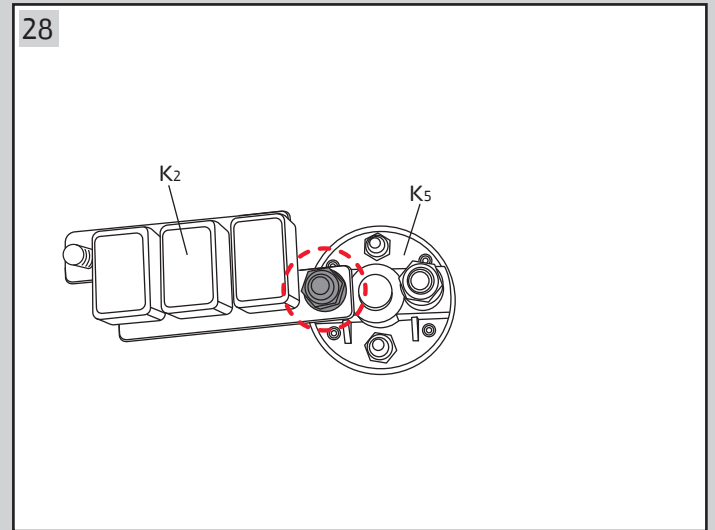
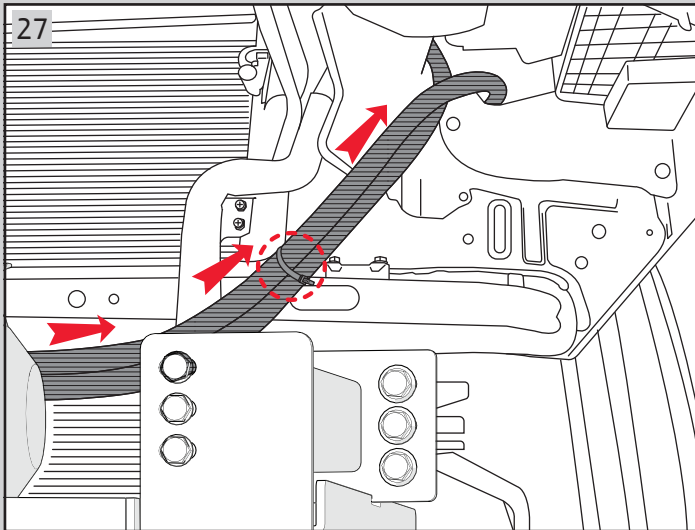
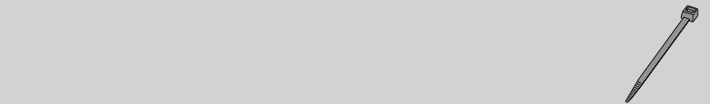
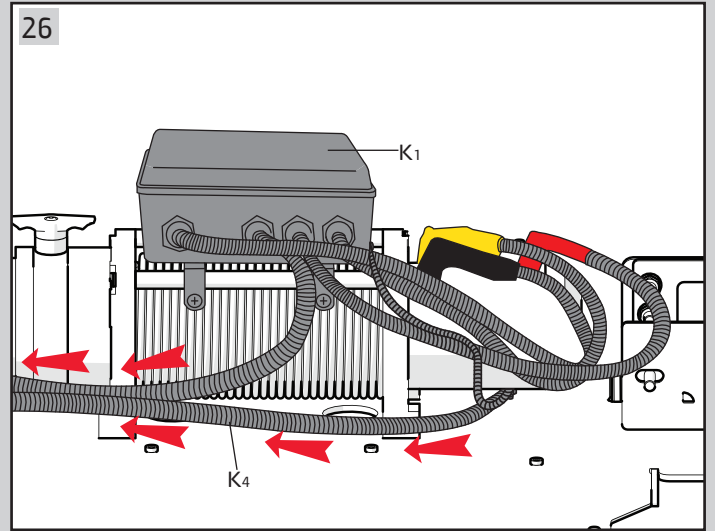
Place winch J₁ on plate A₂ as shown above



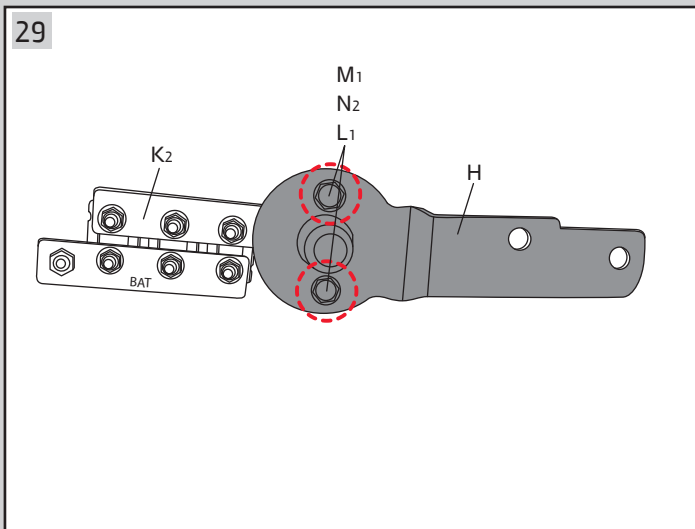
Bolts from ASFIR winch kit



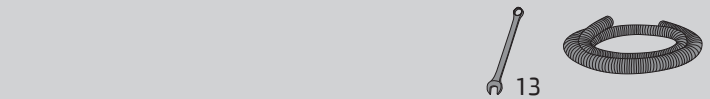
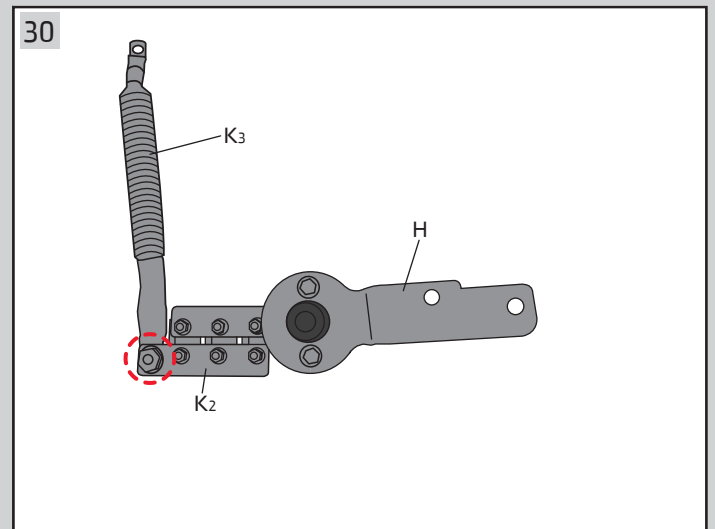
16



13

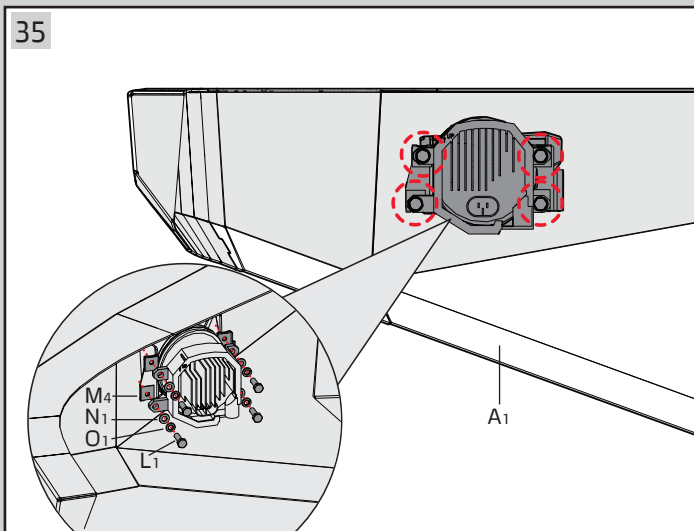
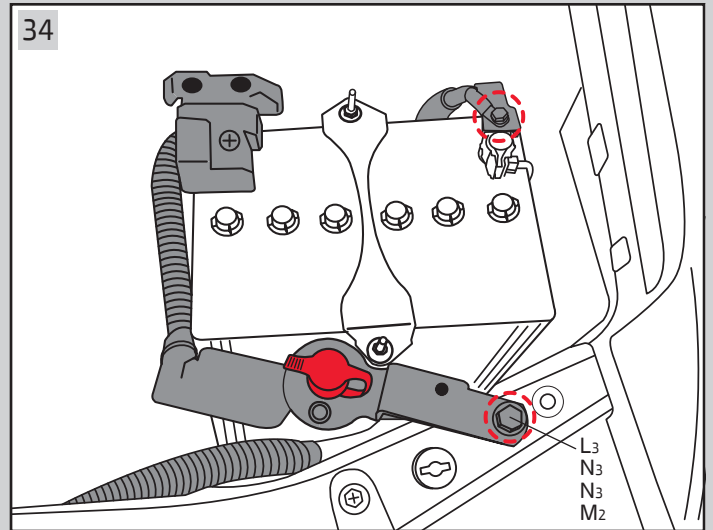
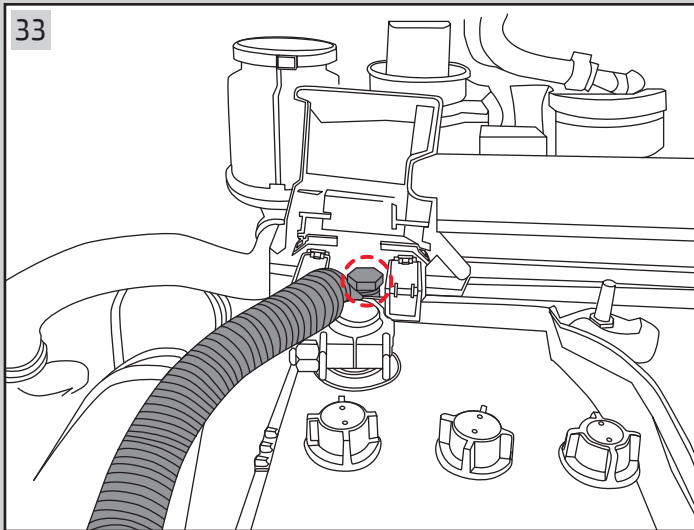
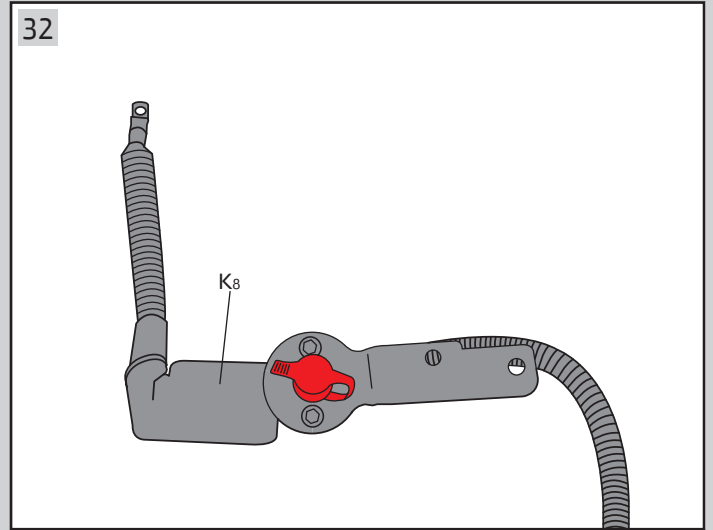
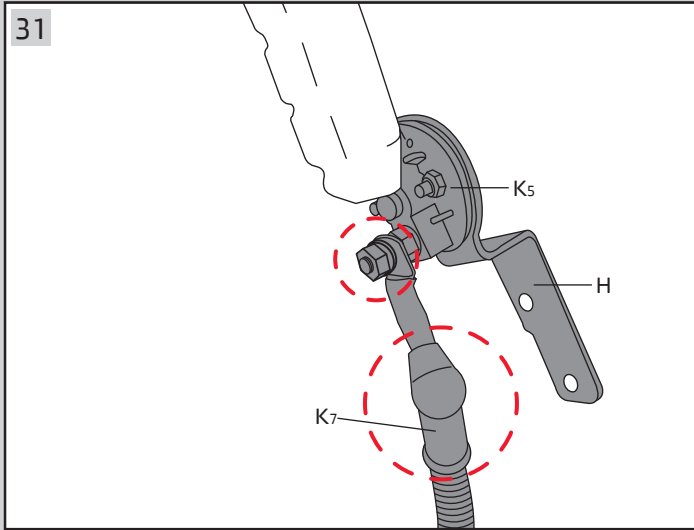


10

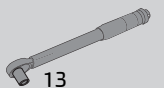
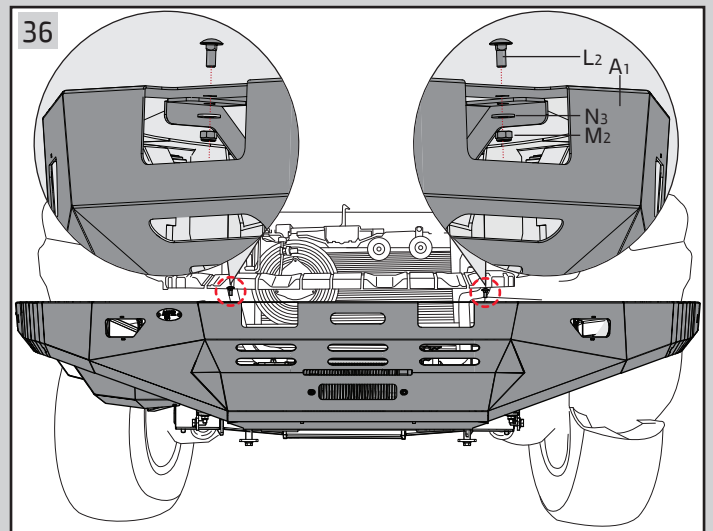
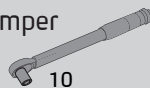


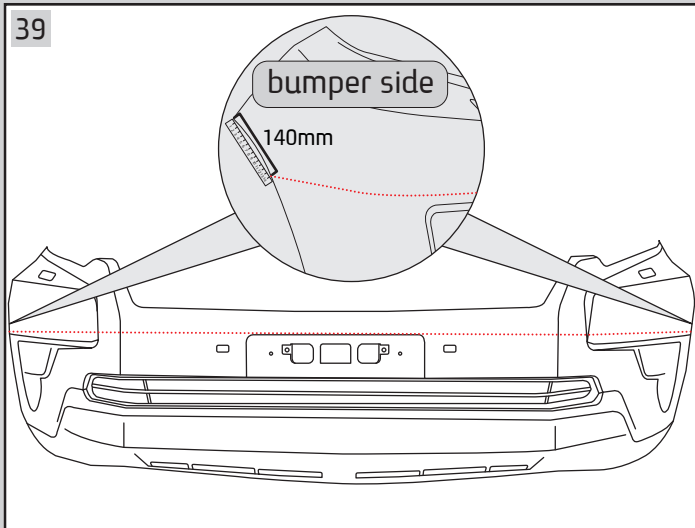
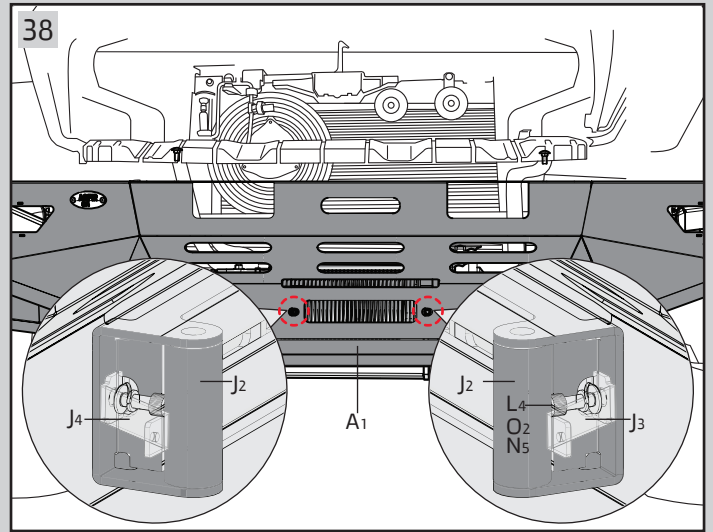
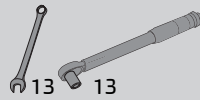
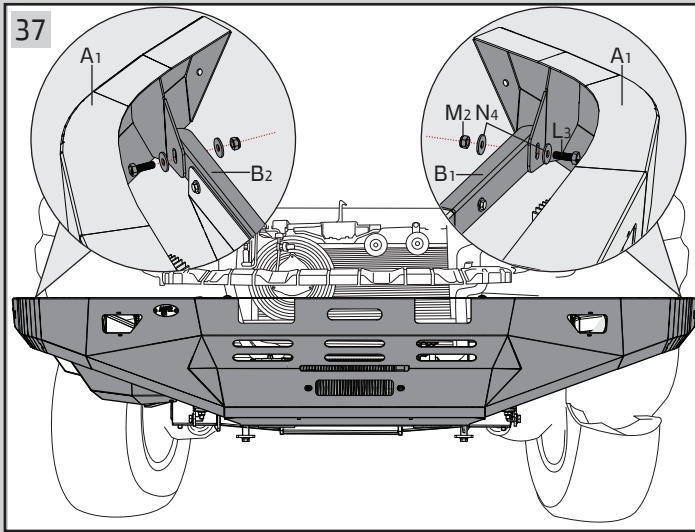
13



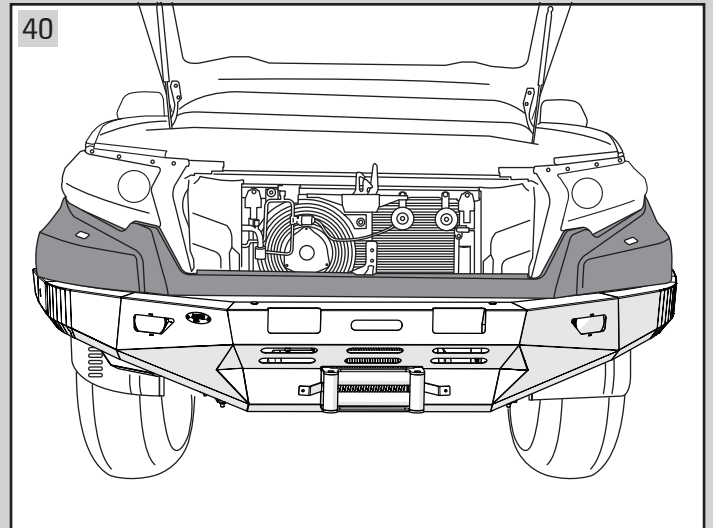
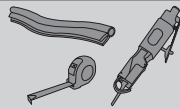


Assemble the lights on both sides of ASFIR bumper

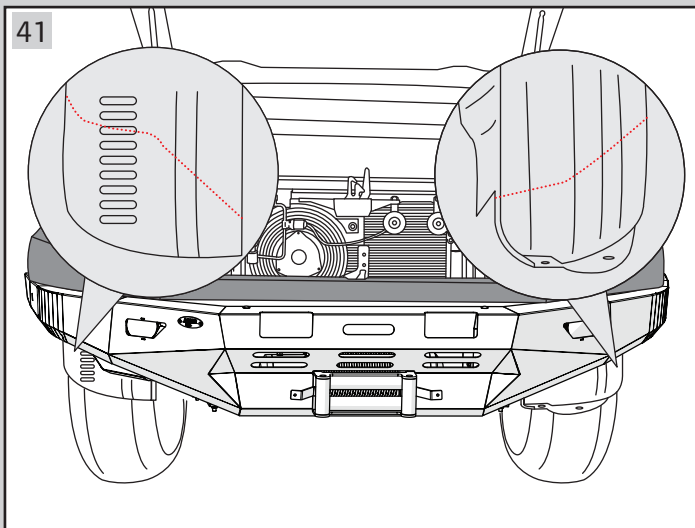




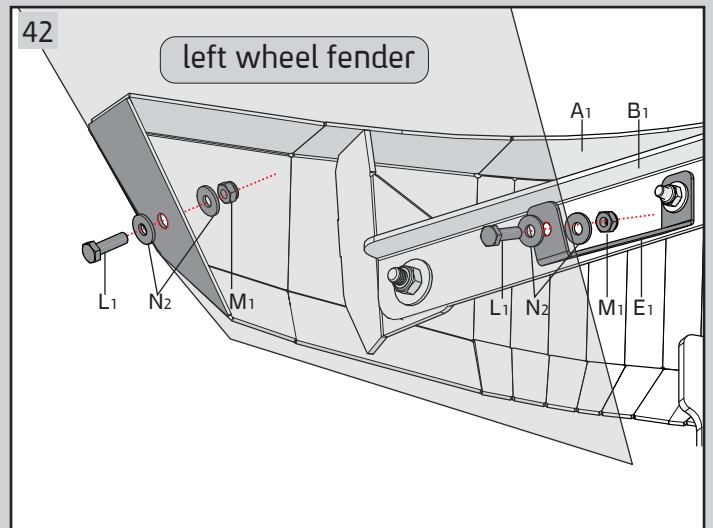
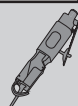
Cut the bumper as above (140 mm from bumper ends).
Cover the cutting line with rubber profile



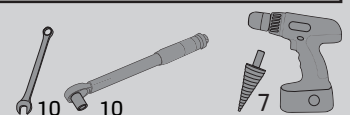
Assemble the original cut bumper.
Tighten all bolts

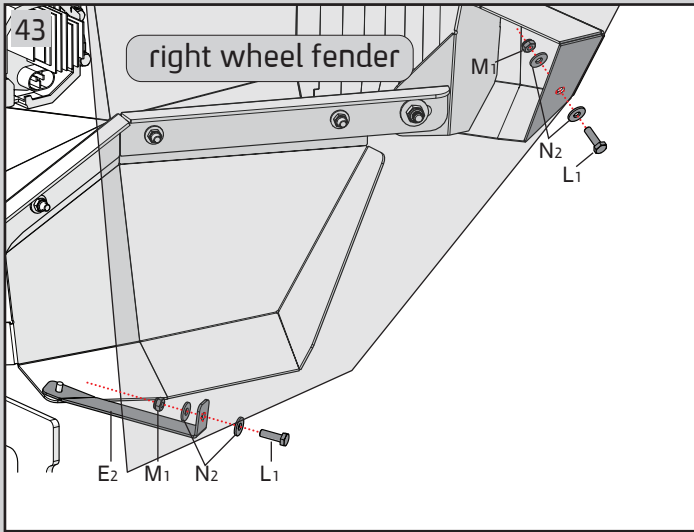


Cut the wheel fender as shown above

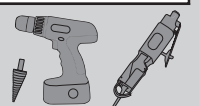
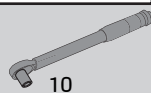
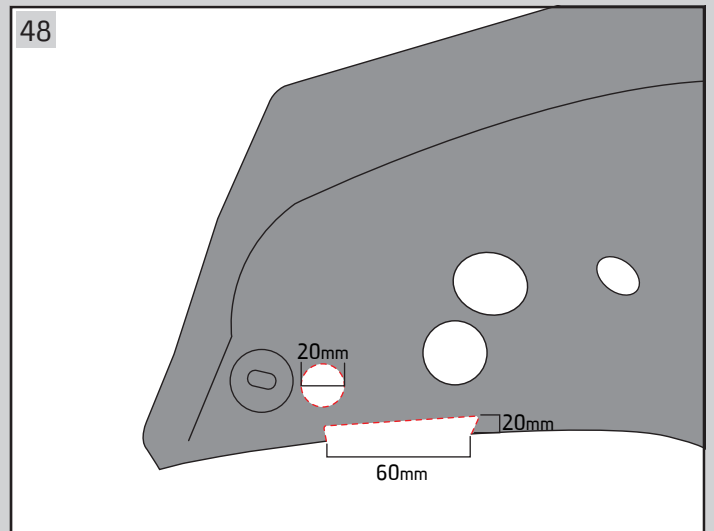
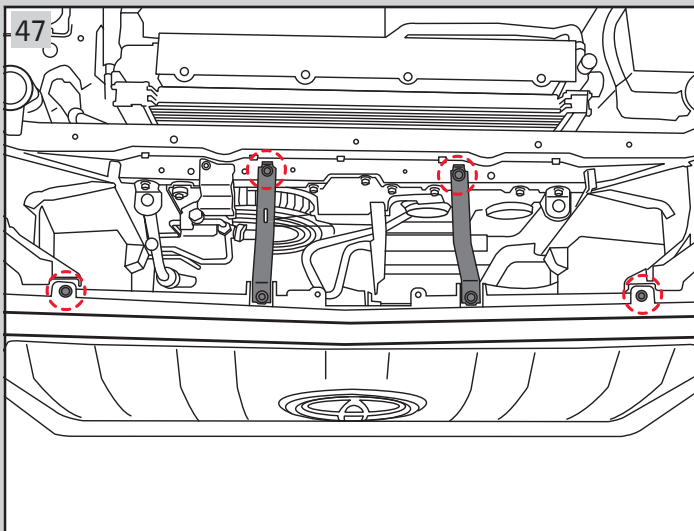
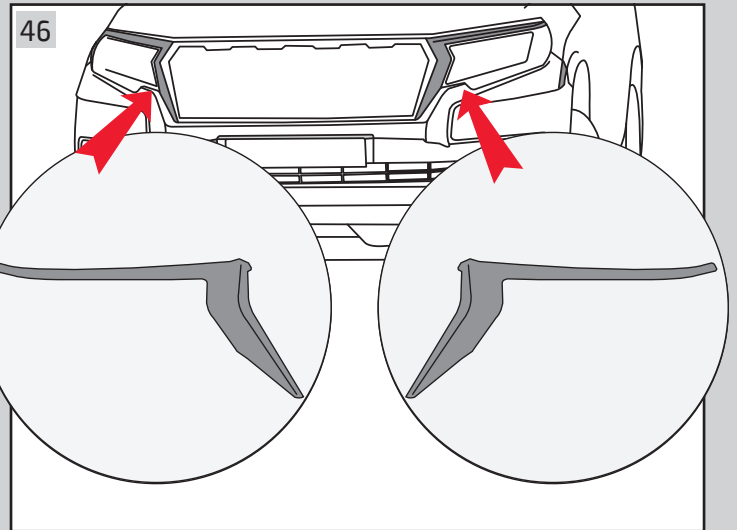
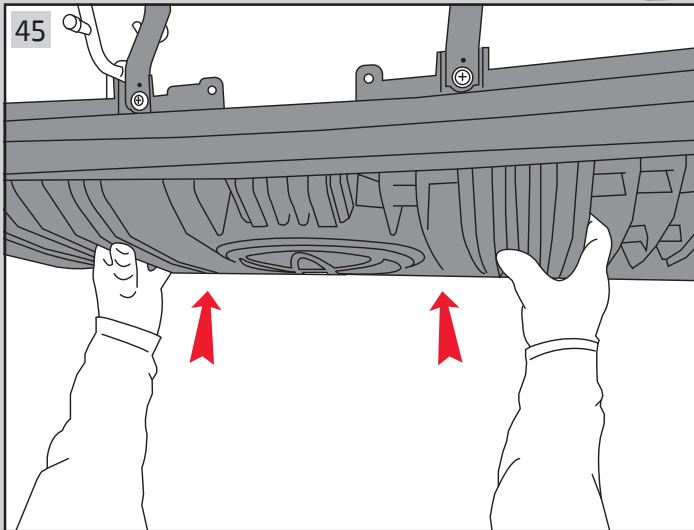
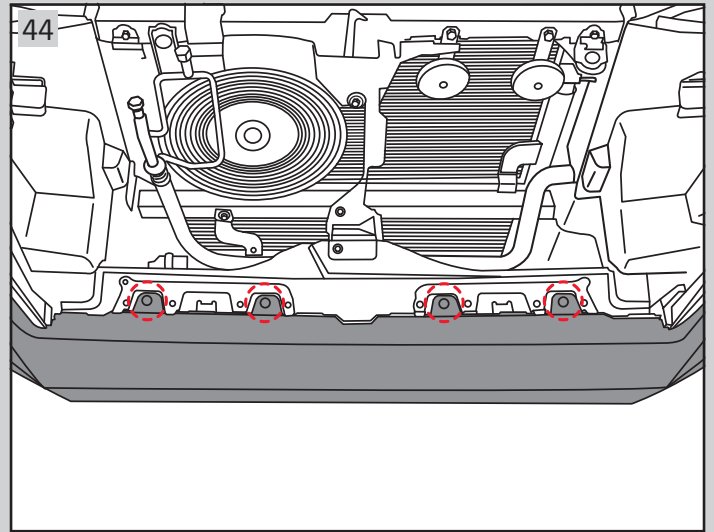


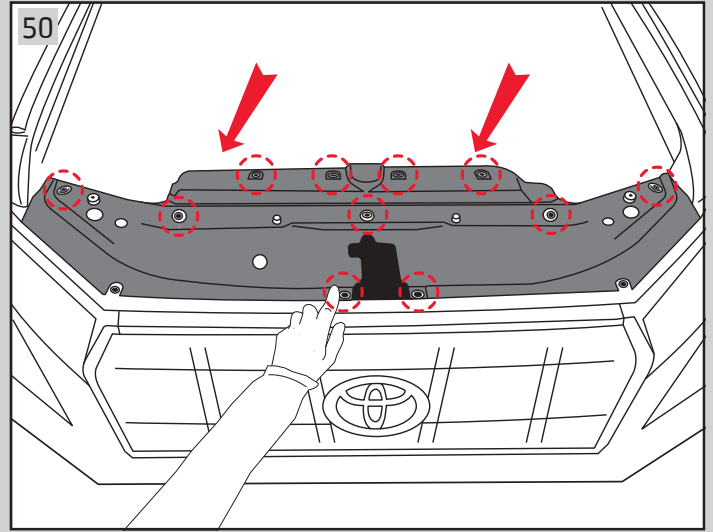
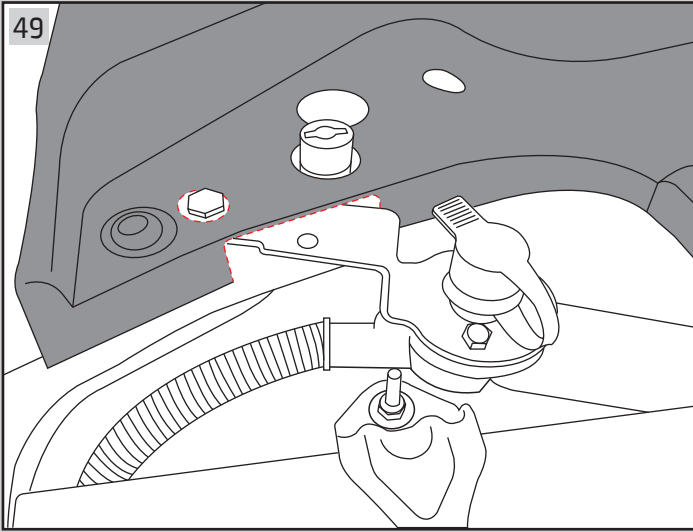
To connect the bumper to the wheel fender, drill 2 holes as shown above



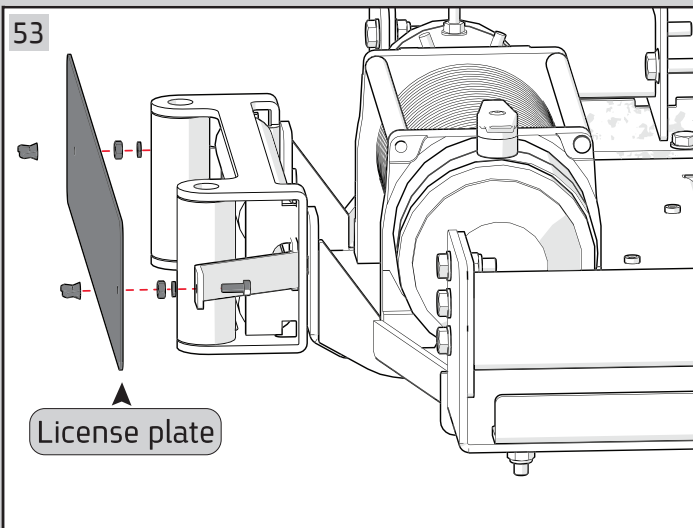
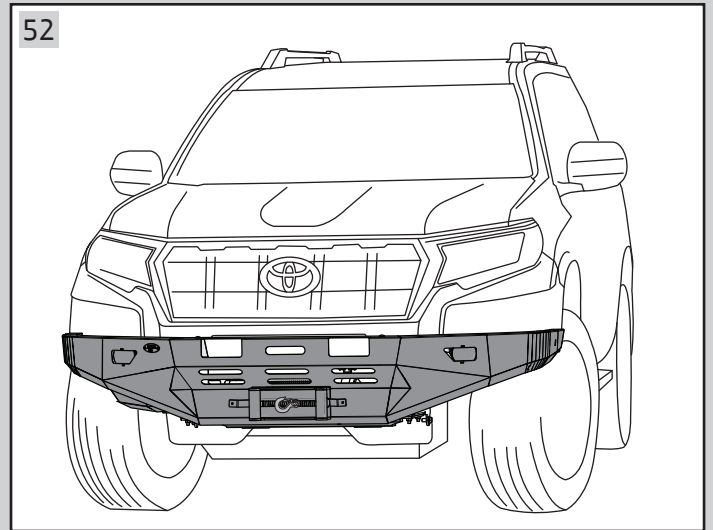
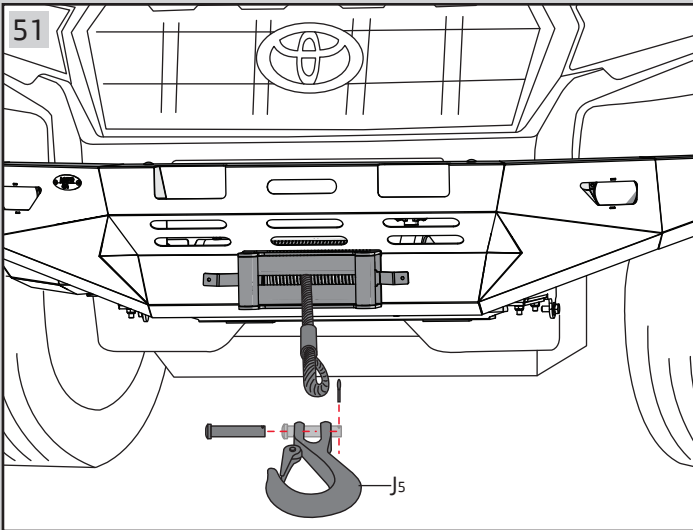


To connect the bumper to the wheel fender, drill 2 holes as shown above





Reassemble back plastic tray and clips



Bolts from ASFIR winch kit

