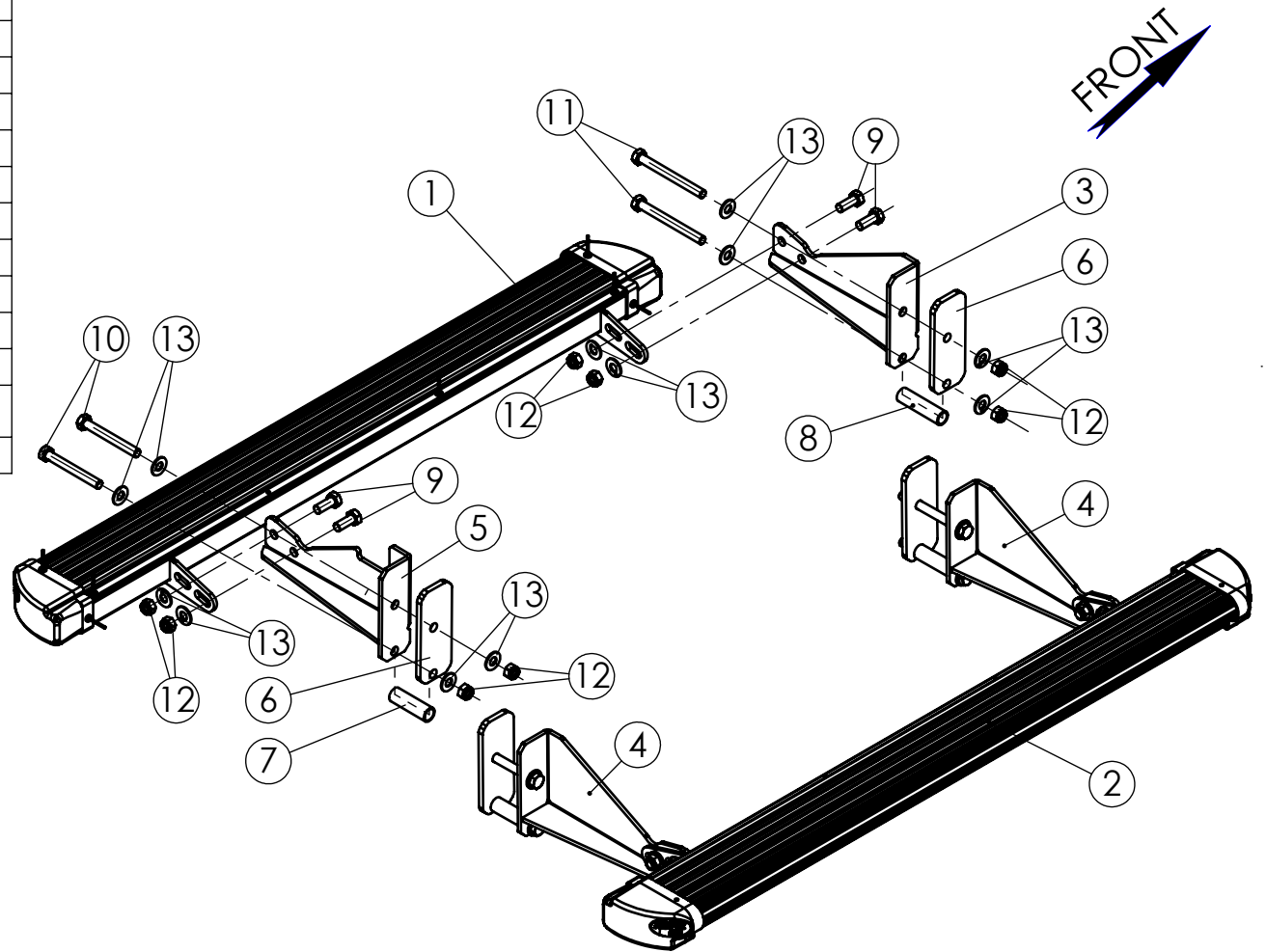


NO.	PART NUMBER	DESCRIPTION	QTY.
1	TYM60.100.000	LEFT STEP	1
2	TYM60.100.000R	RIGHT STEP	1
3	TYM06.000.001L	LEFT BRACKET	1
4	TYM06.000.001R	RIGHT BRACKET	2
5	TYM06.000.002	LEFT REAR BRACKET	1
6	TYM06.000.003	CONNECT	4
7	8550	Spacer 1/2" L=67	2
8	8551	Spacer 1/2" L=78	2
9	1012	Hex bolt M12x1.75x30 DIN 933	8
10	1028	Hex bolt M12x1.75x100 DIN931	4
11	1013	Hex bolt M12x1.75x120 DIN 931	4
12	3001	Hex nut nylock M12x1.75 DIN 985	16
13	6006	Washer 12x27 DIN125	24



Maximum Tightening Torques	
M12 (8.8)	83 Nm

NAME	SIGN.	DATE	Drawing number	Product Description	
CHG.	Charnay	08.03.11	TYM60.000.000	Vehicle Manuf.	TOYOTA
PLN.	David	8.03.11		Vehicle Model	LAND CRUISER PRADO
DWN.	Charnay	08.07.10	Drawing description	Vehicle Version	3 DOOR
CONFIRM	Dani		Side Step Protector	VIN	
<b>ASFIR LTD.</b>			Catalogue number	Year of Product.	1998-2002
			534051	Gear Shift	AUTOMATIC
			Weight,kg 21	Motor Model	DIESEL
				Transmission	4X4

Confidential

All rights in and to this document are property of ASFIR Ltd. and reserved to it. This document is forwarded to the recipient under the condition of and subject to the obligation of the recipient to keep the confidentiality of its contents. Copying, transfer or distribution of this document or its contents and the use of it not for the purpose intended-are strictly forbidden.