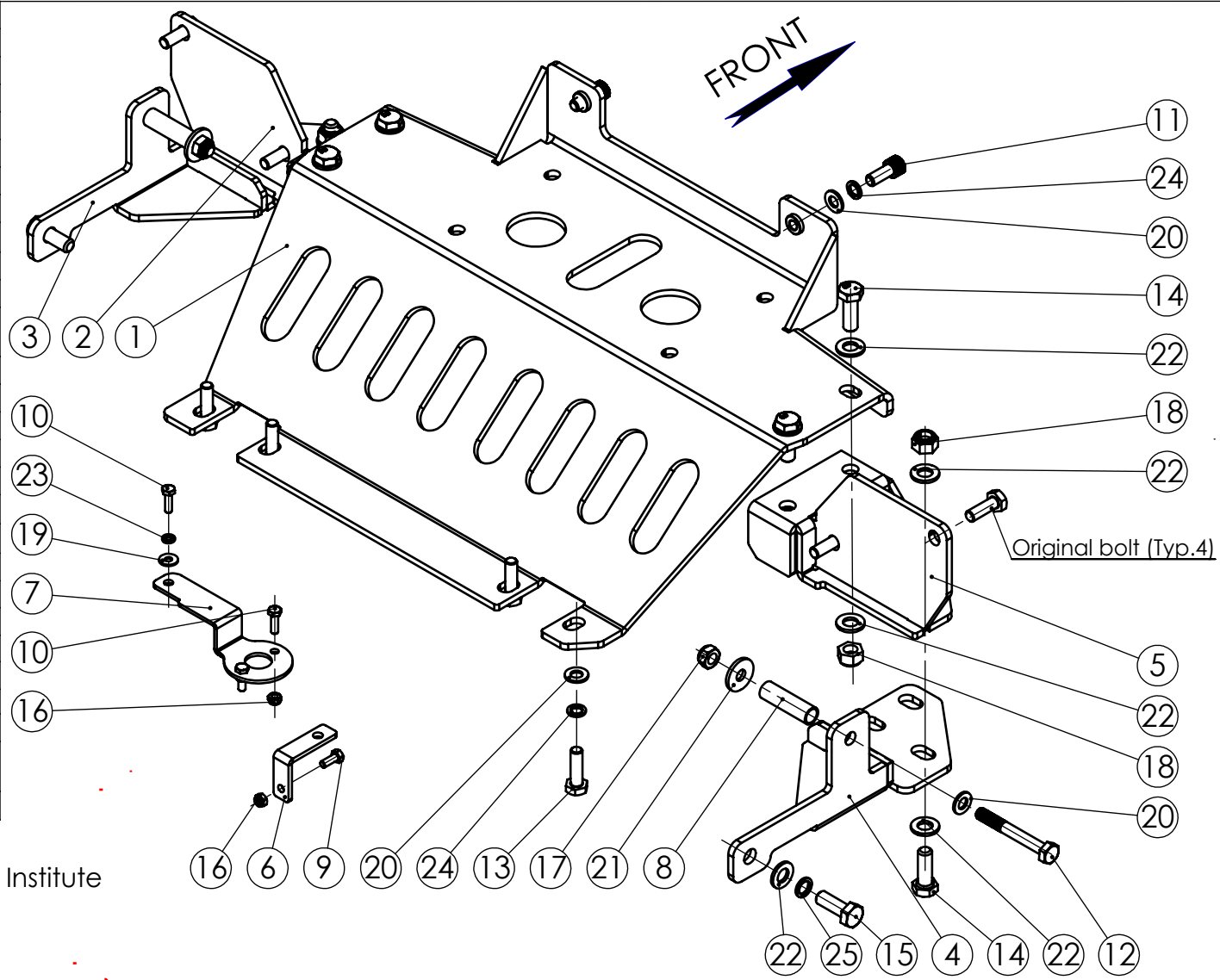


NO	PART NUMBER	DESCRIPTION	QTY
1	TYW82.010.000	Hidden plate	1
2	TYW82.020.000	Left Bracket	1
3	TYW82.030.000	Left Joint	1
4	TYW82.040.000	Right Joint	1
5	TYW82.050.000	Right Bracket	1
6	TYW84.000.009	Holder for Fuse	1
7	ISW37.000.004	Adapter to switch	1
8	102096	Spacer $\varnothing 16 \times 1.5 \times 54$ SS304	2
9	1133	Hex Bolt M6x16 DIN 933	1
10	1104	Hex Bolt M6x20 DIN 933	3
11	1029	Socket Head Cap Screw M10x1.5x25 DIN 912	2
12	1020	Hex Bolt M10x1.5x80 DIN 931	2
13	1027	Hex Bolt M10x1.25x35 DIN 961	4
14	1003	Hex Bolt M12x1.75x35 DIN 933	10
15	1033	Hex Bolt M12x1.25x35 DIN 961	2
16	3006	Hex Nut Nylock M6 DIN 985	3
17	3037	Hex Nut Nylock M10x1.5 DIN 985	2
18	3001	Hex Nut Nylock M12x1.75 DIN 985	10
19	6018	Washer 6x16	1
20	6023	Washer 10x20 DIN125	8
21	6010	Washer 10x30 DIN 9021	2
22	6006	Washer 12x24 DIN 125	22
23	6009	Spring washer 6 DIN 127	1
24	6008	Spring washer 10 DIN 127	6
25	6005	Spring washer 12 DIN 127	2
26	Cat.num.2010	Low Rubber U Shape for 3 mm L=800 mm	1
27	TYW84.020.000	Red Cable from Battery to Switch	1



Registration Licensing N:9513221709 Standards Institute from date 16.11.2015

Maximum Tightening Torques	
M6(8.8)	10 Nm
M10(8.8)	50 Nm
M12 (8.8)	90 Nm

	NAME	SIGN.	DATE	Drawing number	Product Description	
CHG.	Slava		21.01.16	TYW82.000.000	Vehicle Manuf.	Toyota
DWN.	Charnay		15.11.15		Vehicle Model	HILUX
PLN.	David	<i>David 21/16</i>		Drawing description	Vehicle Version	Double cab
CONFIRM	Dani			Hidden Winch Plate	VIN	MROHB3CD00400281
ASFIR LTD.					Catalogue number	Year of Product.
				533025	Gear Shift	Manual/Automatic
				Weight,kg 17.5	Sheet 1	Sheets 2
					Transmission	4X4

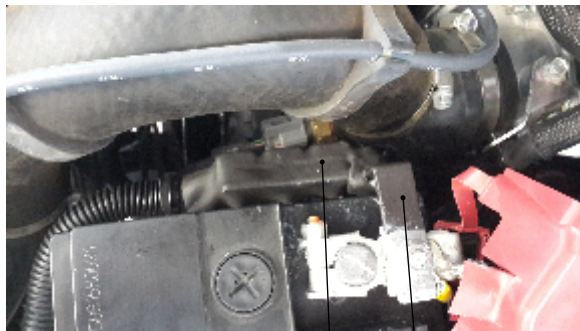
Confidential
 All rights in and to this document are property of ASFIR Ltd. and reserved to it. This document is forwarded to the recipient under the condition of and subject to the obligation of the recipient to keep the confidentiality of its contents. Copying transfer of distribution of this document or its contents and the use of it not for the purpose intended-are strictly forbidden.

Adapter to switch mounting



7

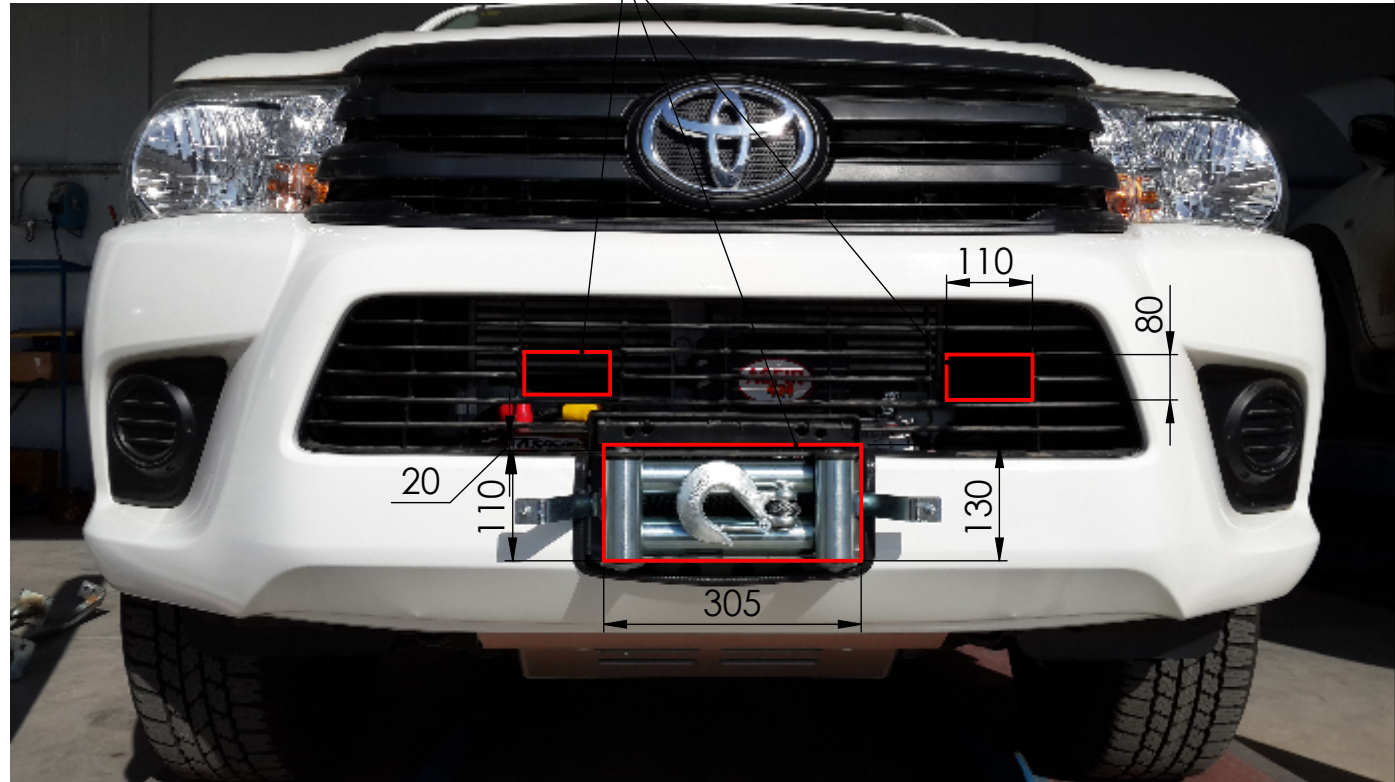
Installation of Red Cable from Battery to Switch



27

6

Cut off windows



Confidential

All rights in and to this document are property of ASFIR Ltd. and reserved to it. This document is forwarded to the recipient under the condition of and subject to the obligation of the recipient to keep the confidentiality of its contents. Copying transfer of distribution of this document or its contents and the use of it not for the purpose intended-are strictly forbidden.

ASFIR LTD.

Drawing number

TYW82.000.000

Drawing description

Hidden Winch Plate

Sheet 2

Sheets 2

Vehicle

Toyota HILUX