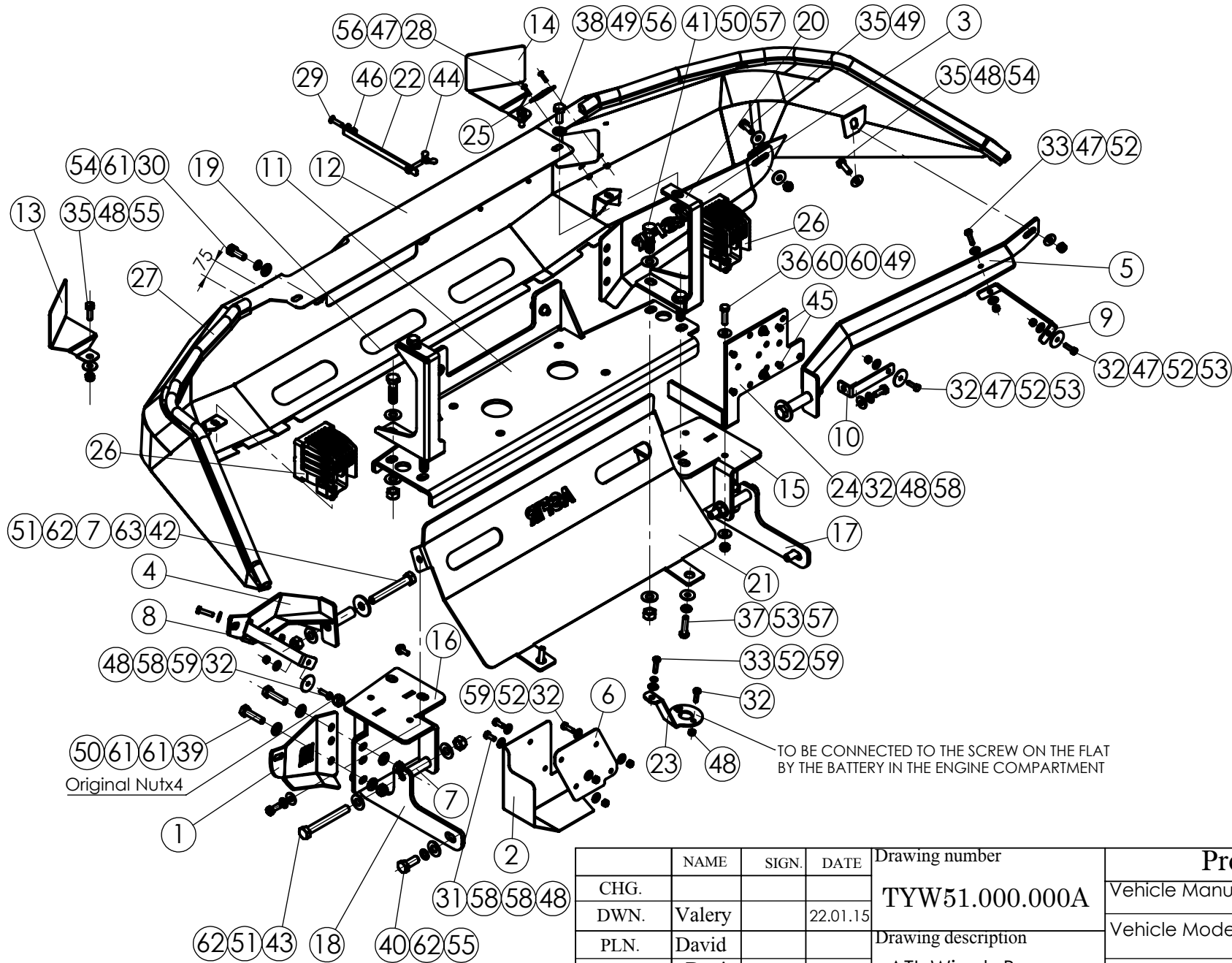


NO.	PART NUMBER	DESCRIPTION	QTY.
1	TYW51.000.001	Left plug	1
2	TYW51.000.002	Cover for water container	1
3	TYW51.000.003	Right Plug	1
4	TYW51.000.004L	Left bracket	1
5	TYW51.000.004R	Right bracket	1
6	TYW51.000.005	Plate	1
7	TYW51.000.008	Spacer	4
8	TYW51.000.009L	Left bracket	1
9	TYW51.000.009R	Right bracket	1
10	TYW51.000.012	Right bracket	1
11	TYW51.020.000	Winch plate	1
12	TYW51.100.000A	Bumper With Logo	1
13	TYW51.100.001	Left cover	1
14	TYW51.100.002	Right cover	1
15	TYW43.010.000R	Right bracket	1
16	TYW43.010.000L	Left bracket	1
17	TYW43.010.001R	Right joint	1
18	TYW43.010.001L	Left joint	1
19	TYW45.000.001L	Left bumper holder	1
20	TYW45.000.001R	Right bumper holder	1
21	TYW45.000.004	Lower skid plate	1
22	TYW45.000.005	Grill joint	1
23	TYW45.000.007	Adaptor to switch	1
24	HUW06.010.006	Solenoid holder	1
25	NSW12.000.003	Closing plate	1
26	917503	Led Work Light 4 inch 20W Sammoon	2
27	6942	Rubber seal L=920	2
28	3000	Pan head philips screw M4x16 DIN 7985	2
29	1212	Flat socket head cap pillips screw M6x25DIN 965	1
30	1029	Socket Head Cap Screw M10x1.5x25 DIN 912	2

NO.	PART NUMBER	DESCRIPTION	QTY.
31	1133	Hex Bolt M6x16 DIN 933	2
32	1104	Hex Bolt M6x20 DIN 933	9
33	1167	Hex Bolt M6x25 DIN 933	3
34	1161	Hex Bolt M8x20 DIN 933	3
35	1168	Hex Bolt M8x25 DIN 933	6
36	1209	Hex Bolt M8x30 DIN 933	2
37	1000	Hex Bolt M8x35 DIN 933	2
38	1054	Hex Bolt M10x1.5x25 DIN 933	2
39	1072	Hex Bolt M10x1.5x40 DIN 933	4
40	1049	Hex Bolt M12x1.25x30 DIN 961	2
41	1032	Hex Bolt M12x1.75x45 DIN 931	4
42	1028	Hex Bolt M12x1.75x90 DIN 931	2
43	1079	Hex Bolt M12x1.75x100 DIN 931	2
44	3035	Wing nut M6 DIN 315	1
45	3000	Hex nut M5 DIN 934	4
46	3019	Hex Nut M6 DIN 934	1
47	3039	Hex Nut Nylock M4 DIN 985	2
48	3006	Hex Nut Nylock M6 DIN 985	12
49	3005	Hex Nut Nylock M8 DIN 985	8
50	3037	Hex Nut Nylock M10x1.5 DIN 985	6
51	3001	Hex Nut Nylock M12x1.75 DIN 985	8
52	6009	Spring washer 6 DIN 127	2
53	6001	Spring washer 8 DIN 127	5
54	6008	Spring washer 10 DIN 127	2
55	6005	Spring washer 12 DIN 127	2
56	6145	Washer 4x9 DIN125	2
57	6098	Washer 8x24 DIN 9021	10
58	6018	Washer 6x16x1.6	19
59	6084	Washer 6x30	3
60	6003	Washer 8x20 DIN 125	9
61	6023	Washer 10x20 DIN125	14
62	6006	Washer 12x27	16
63	6039	Washer 12x37 DIN 9021	2

ASFIR LTD.	Drawing number	Drawing description
	TYW51.000.000A	ATL WINCH BUMPER Vehicle
	Sheet 2	Toyota Hilux Vigo Sheets 2



TO BE CONNECTED TO THE SCREW ON THE FLAT BY THE BATTERY IN THE ENGINE COMPARTMENT

Original Nutx4

				Drawing number		Product Description		
CHG.				TYW51.000.000A		Vehicle Manufacturer	TOYOTA	
DWN.	Valery		22.01.15	Drawing description		Vehicle Model	Hilux Vigo	
PLN.	David			ATL Winch Bumper		Vehicle Version	Double cab	
CONFIRM	Dani			Catalogue number		Year of Production	2006 - 2011	
ASFIR LTD.				533005		Gear Shift	Manual/Automatic	
				Mass, kg 38	Sheet 1	Sheets 2	Motor Model	Diesel 3.0 , Exhaust DPF
							Transmission	4 x 4

Confidential
 All rights in and to this document are property of ASFIR Ltd. and reserved to it. This document is forwarded to the recipient under the condition of and subject to the obligation of the recipient to keep the confidentiality of its contents. Copying, transfer of distribution of this document or its contents and the use of it not for the purpose intended-are strictly forbidden.