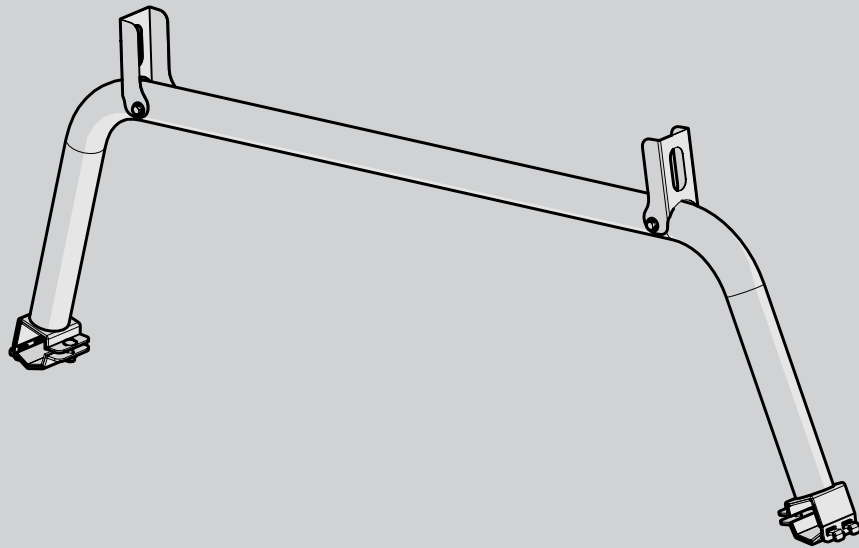
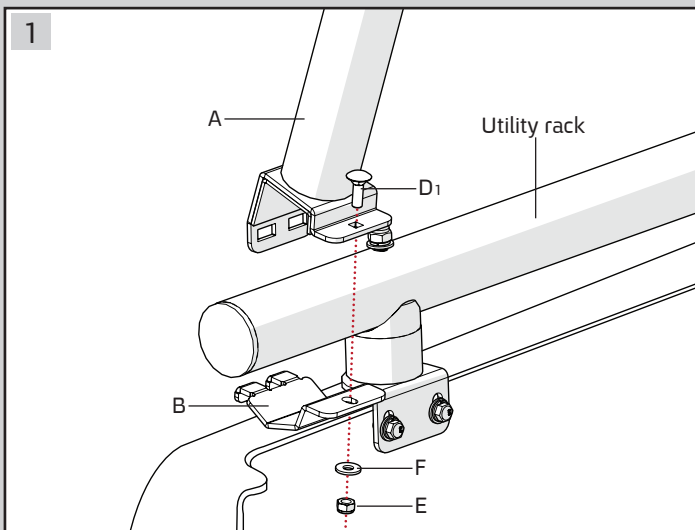
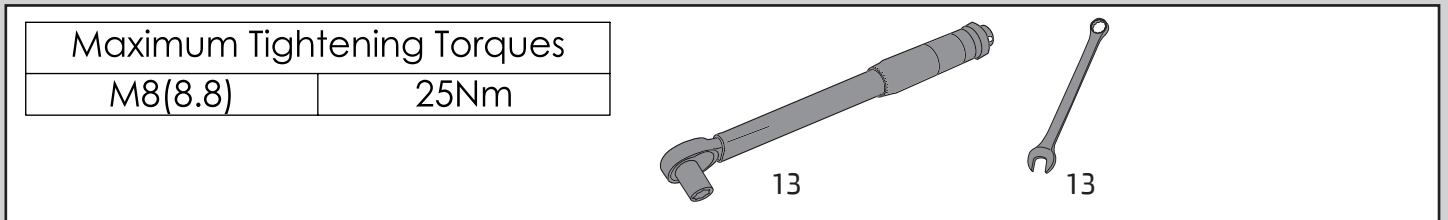
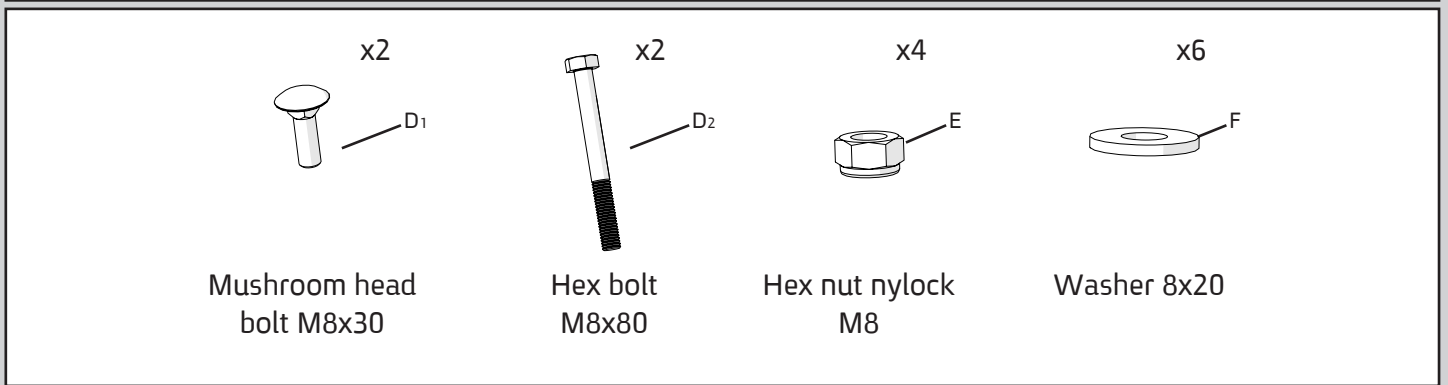
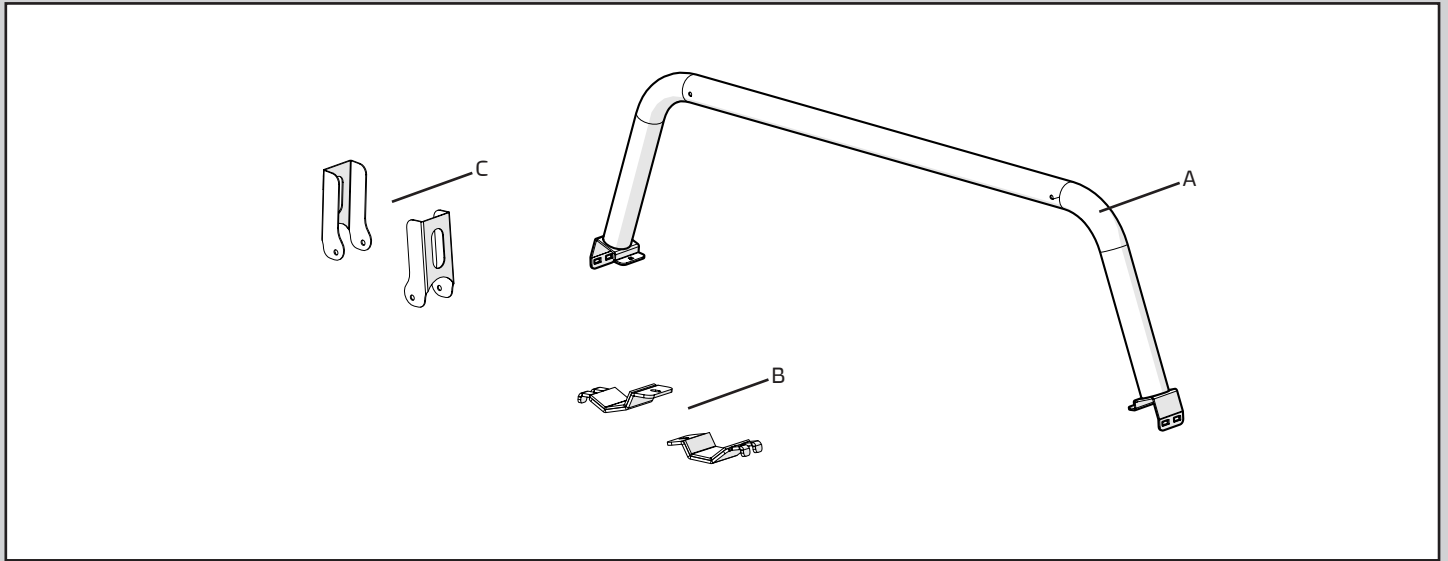


Tie down rack Mounting instructions for Isuzu D-Max

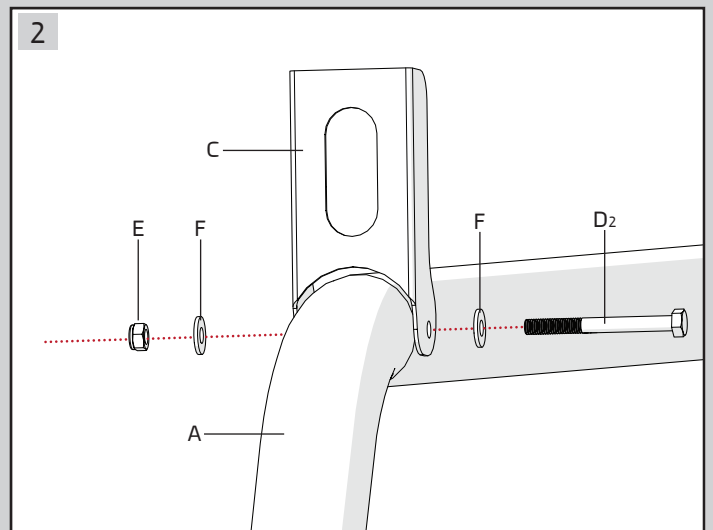




On both sides of the vehicle.
The Tie down rack can be assembled on any point of the Utility rack

13

13



On both sides of the vehicle.
Do not completely the tighten bolts (in order to be able to fold)

13

13