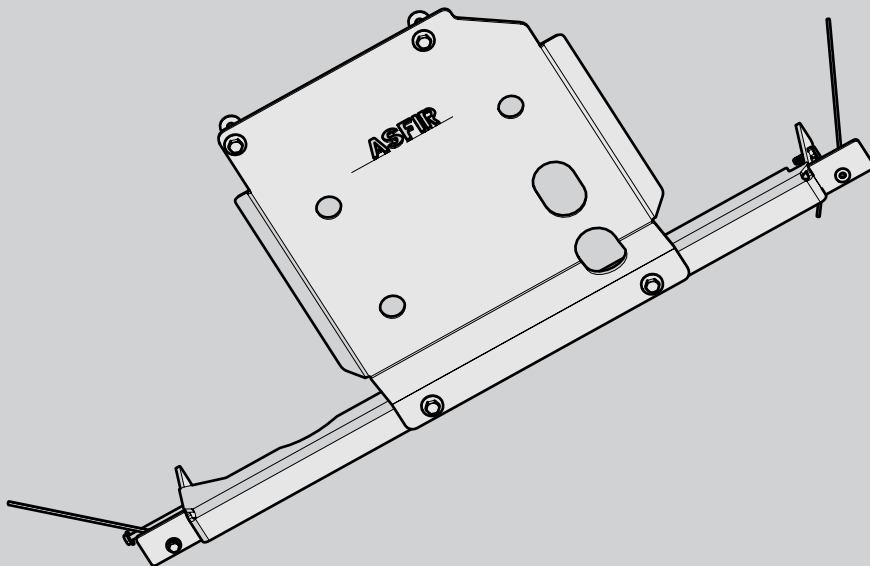
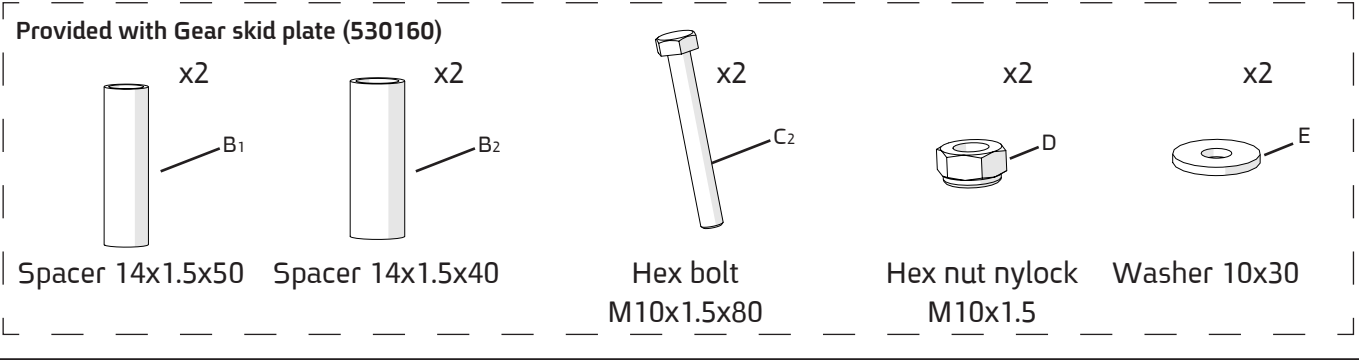
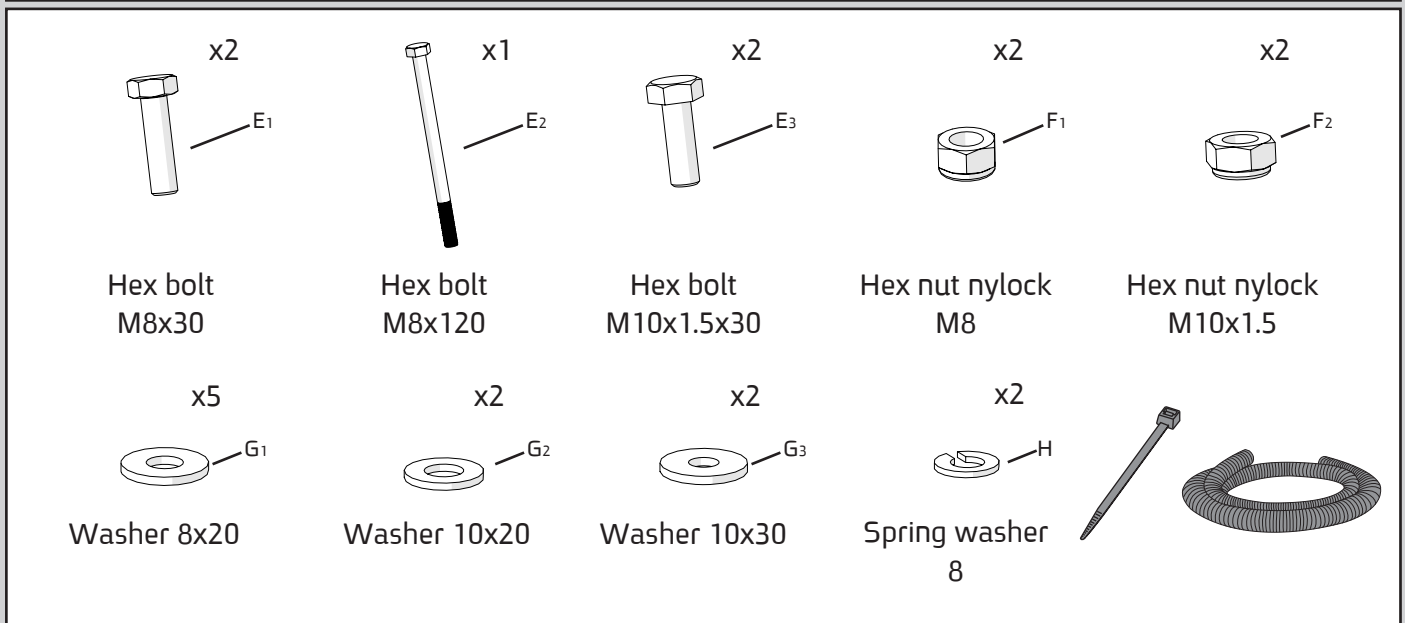
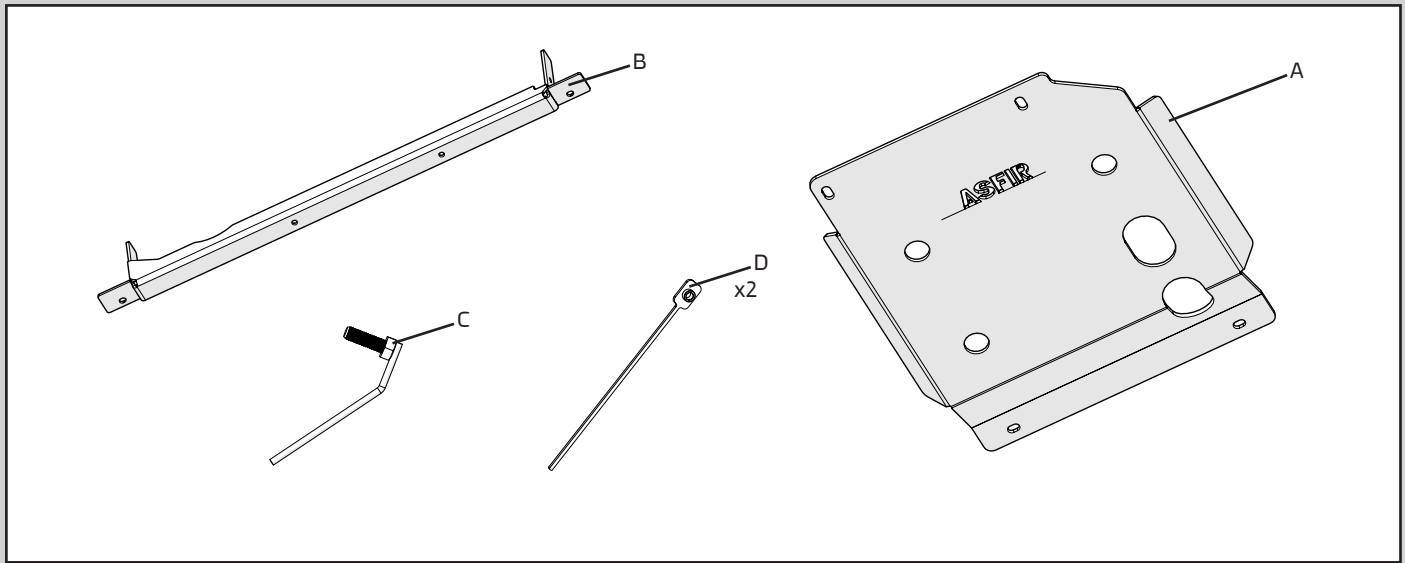
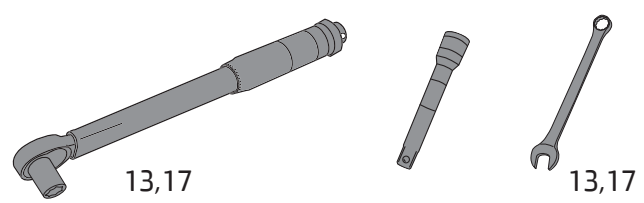


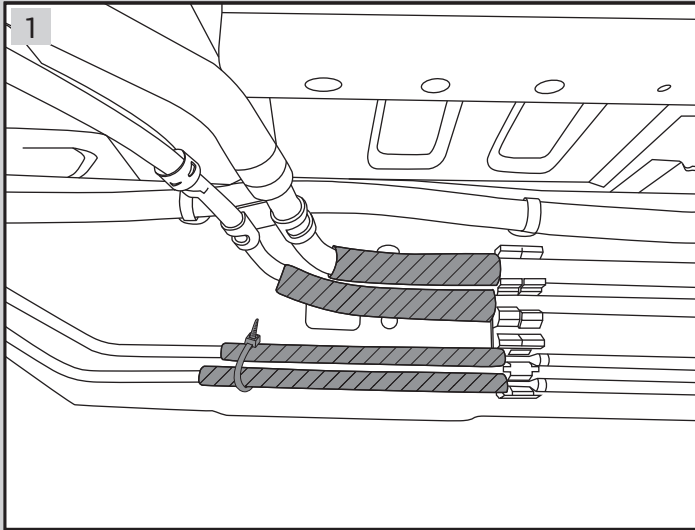
# Transfer skid plate Mounting instructions for Isuzu D-Max 4x4 2012+



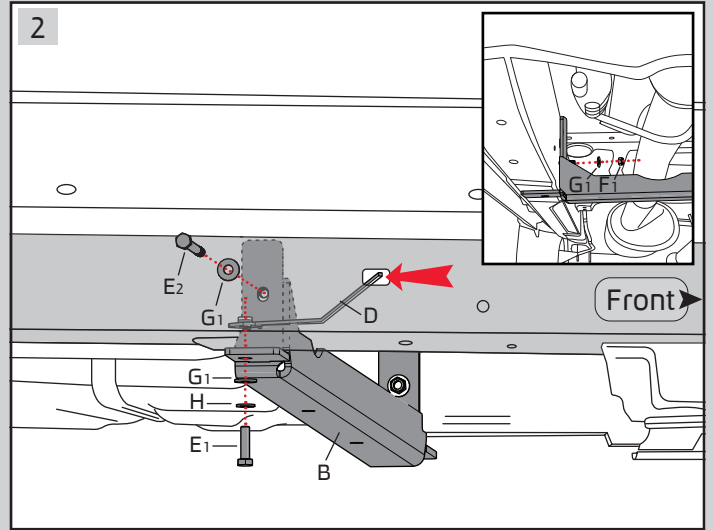


Maximum Tightening Torques	
M8(8.8)	25Nm
M10(8.8)	50 Nm

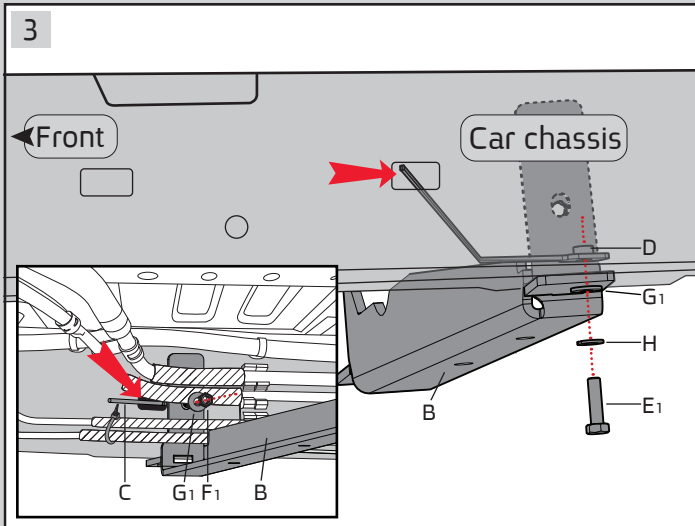
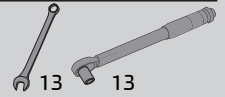




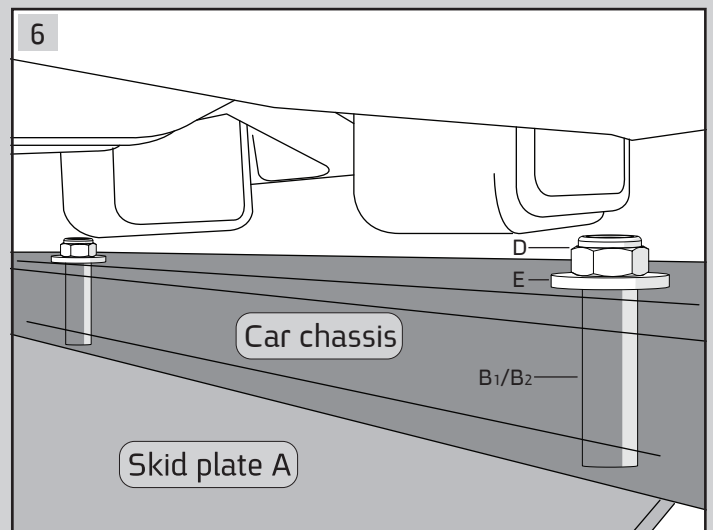
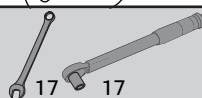
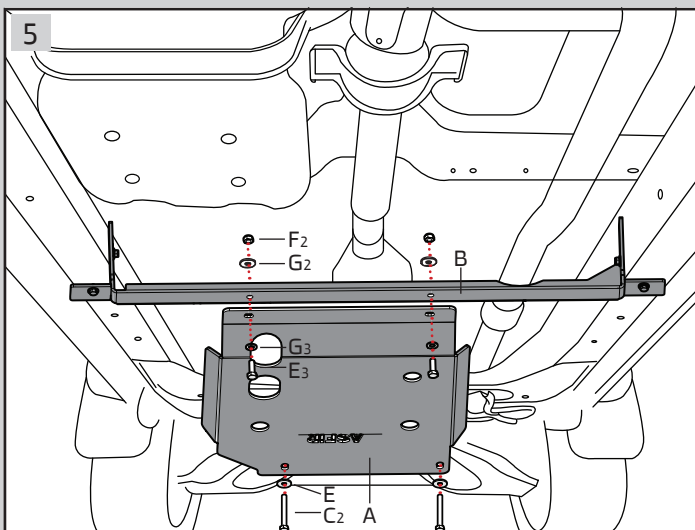
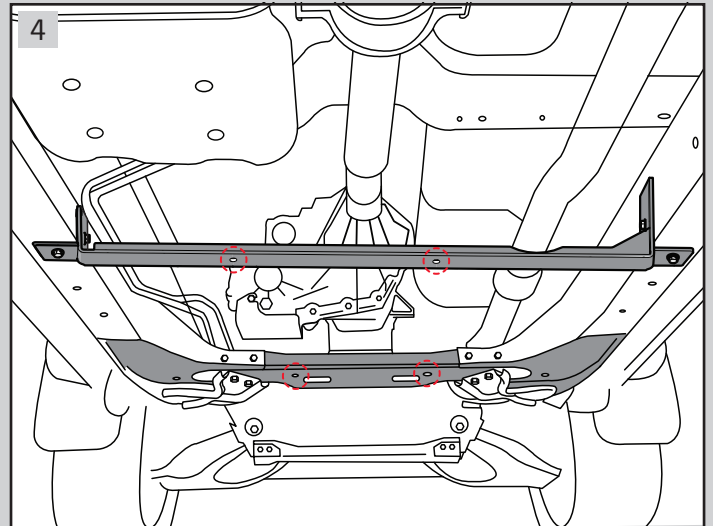
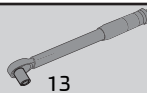
1 Wrap the fuel and brakes pipes with split sleeves as shown and tighten with nylon cable



2 Right side chassis: bend spacer nut (D) and insert it through the hole as shown



3 Left side chassis: bend spacer nut (D) and insert it through the hole as shown



6 Spacer l1 - for models until 2016  
Spacer l2 - for models from 2017-18  
Tighten all bolts

