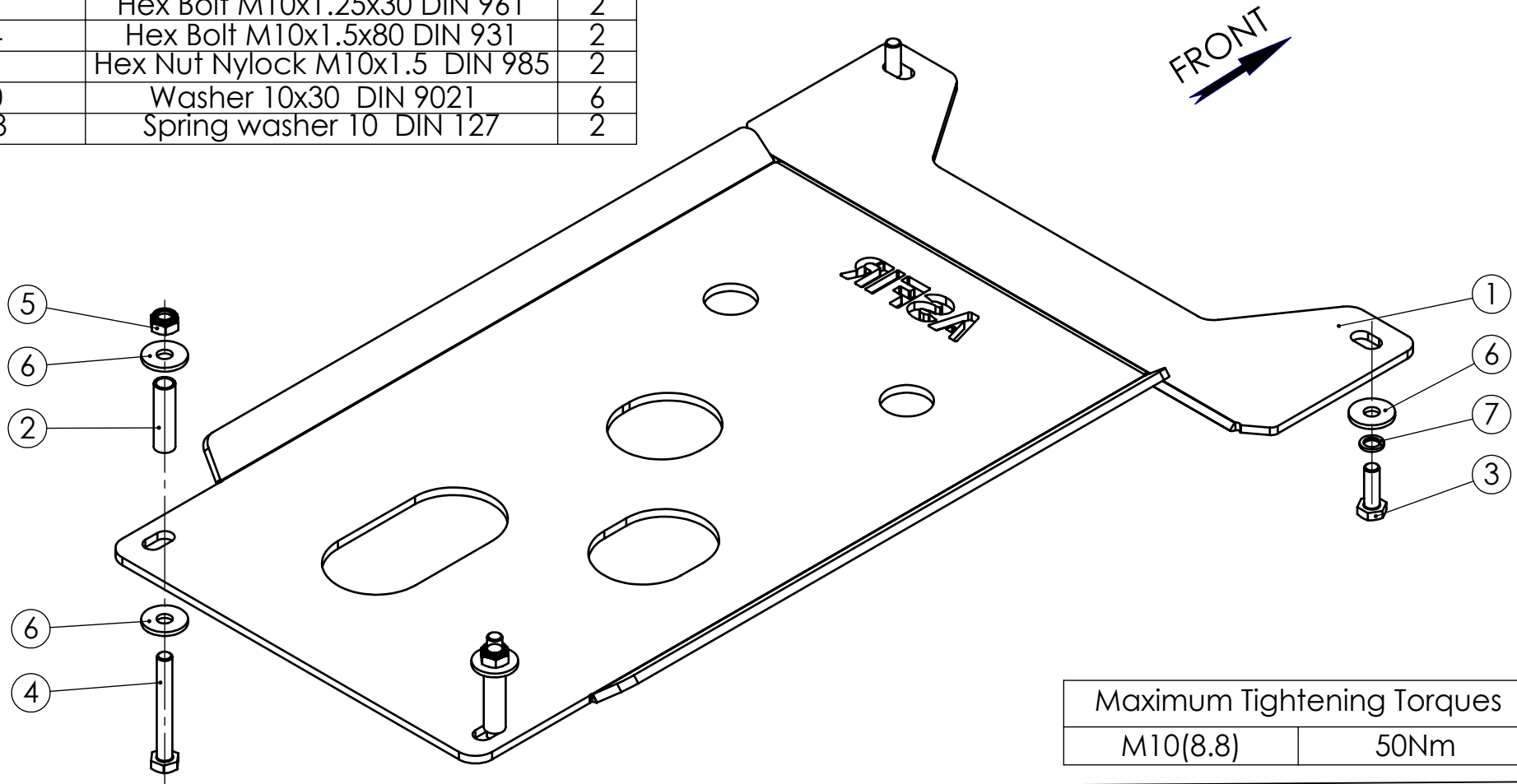


NO.	PART NUMBER	DESCRIPTION	QTY.
1	ISM32.000.001	Skid plate	1
2	7309	Spacer $\phi 14 \times 1.5 \times 50$ SS304	2
3	1021	Hex Bolt M10x1.25x30 DIN 961	2
4	1054	Hex Bolt M10x1.5x80 DIN 931	2
5	3037	Hex Nut Nylock M10x1.5 DIN 985	2
6	6010	Washer 10x30 DIN 9021	6
7	6008	Spring washer 10 DIN 127	2



Maximum Tightening Torques	
M10(8.8)	50Nm

	NAME	SIGN.	DATE
CHG.	Slava		05.03.17
DWN.	Charnay		31.05.12
PLN.	David		05.03.17
CONFIRM	Dani		

Drawing number	ISM32.000.000
Drawing description	Gear Skid plate
Catalogue number	530160
Weight,kg	5.0

Product Description	
Vehicle Manuf.	ISUZU
Vehicle Model	D-MAX
Vehicle Version	Double Cab
VIN	MPATFS87JHT001916
Year of Product.	2012-2017
Gear Shift	AUTOMATIC/MANUAL
Motor Model	DIESEL 2.5TD / 1.9TD
Transmission	4X4

Confidential
 All rights in and to this document are property of ASFIR Ltd. and reserved to it. This document is forwarded to the recipient under the condition of and subject to the obligation of the recipient to keep the confidentiality of its contents. Copying transfer of distribution of this document or its contents and the use of it not for the purpose intended-are strictly forbidden.

ASFIR LTD.