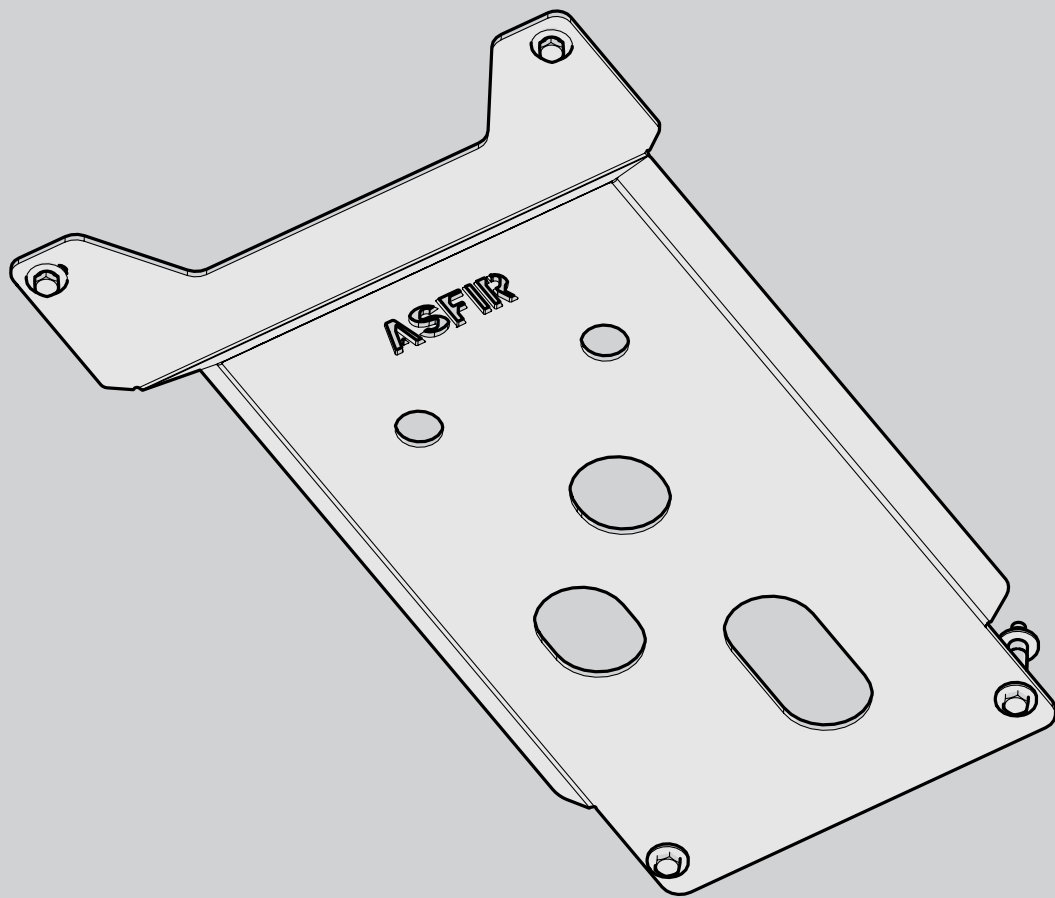


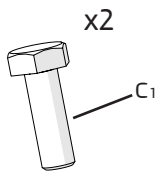
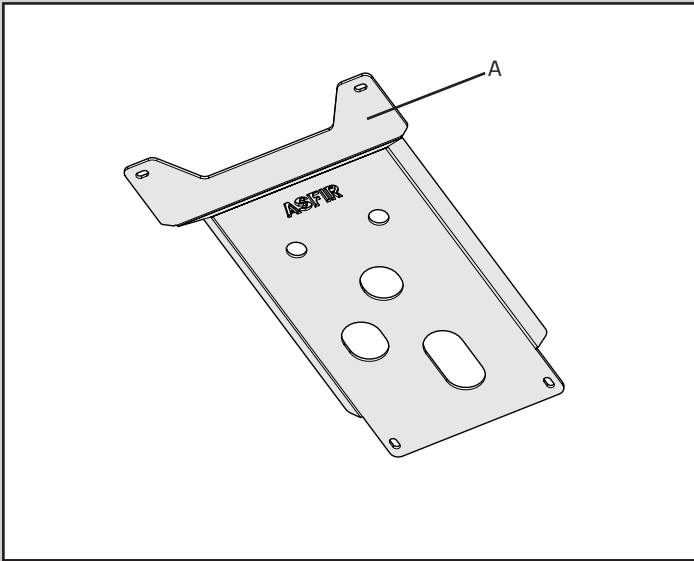
Gear skid plate

Mounting instructions

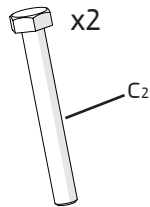
for Isuzu D-Max 4x4

2012+

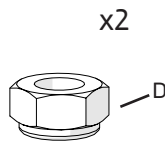




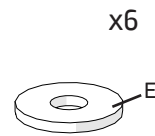
Hex bolt
M10x1.25x30



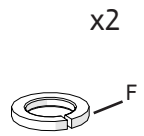
Hex bolt
M10x1.5x80



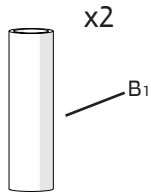
Hex nut nylock
M10x1.5



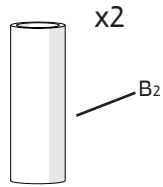
washer 10x30



Spring washer 10



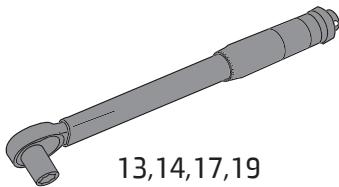
Spacer 14x1.5x50



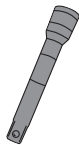
Spacer 14x1.5x40

Maximum Tightening Torques

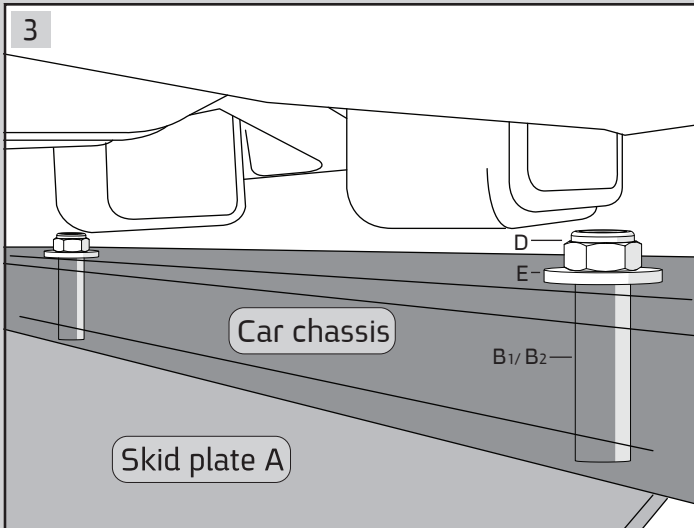
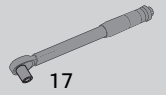
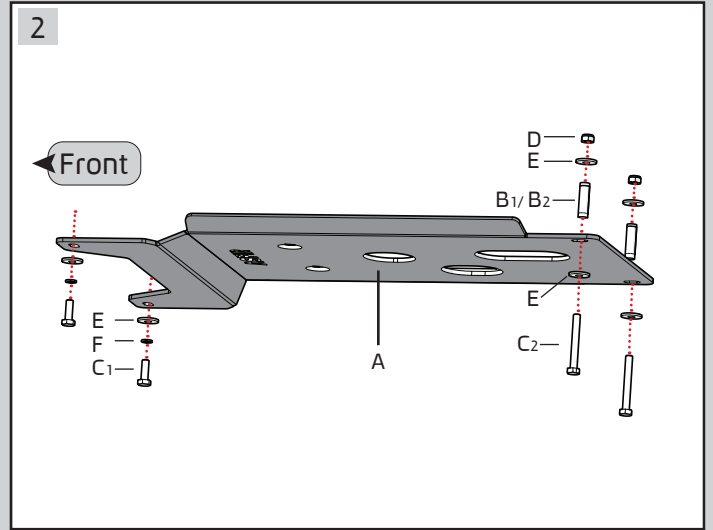
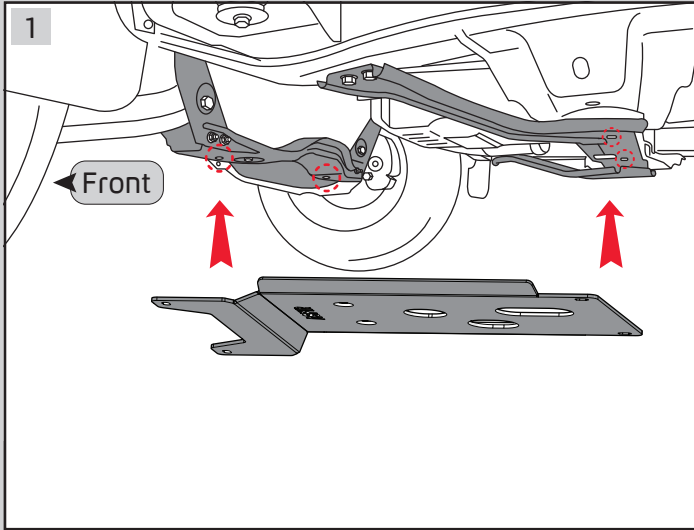
M10 (8.8)	50 Nm
-----------	-------



13,14,17,19



17



Spacer B₁ - for models until 2016
 Spacer B₂ - for models from 2017 onwards