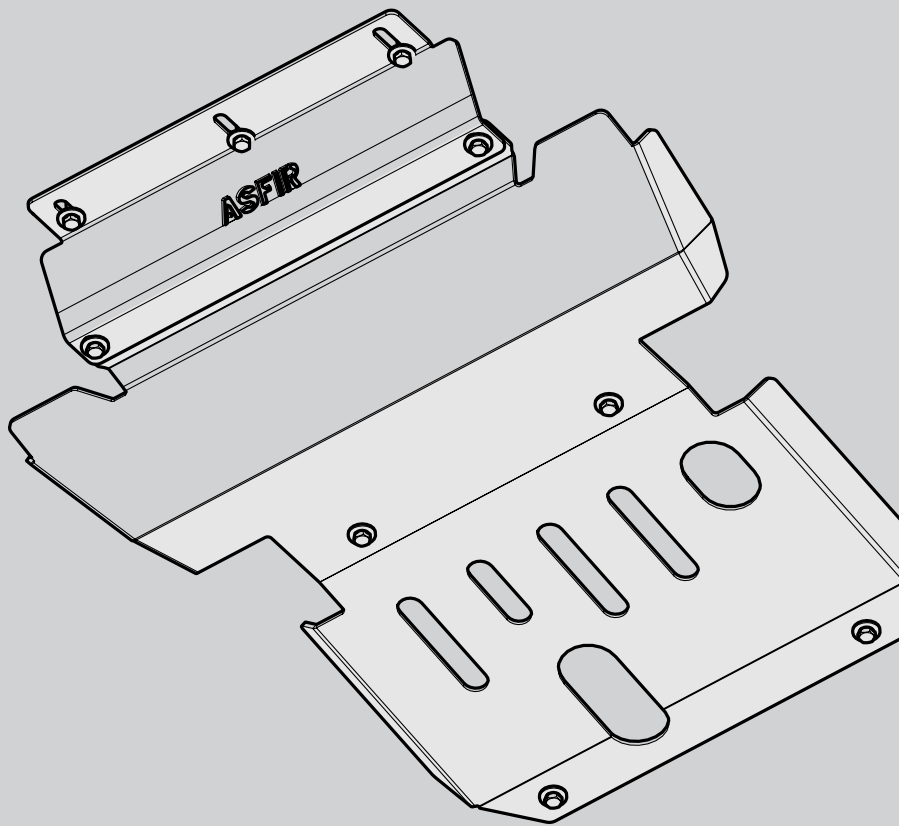


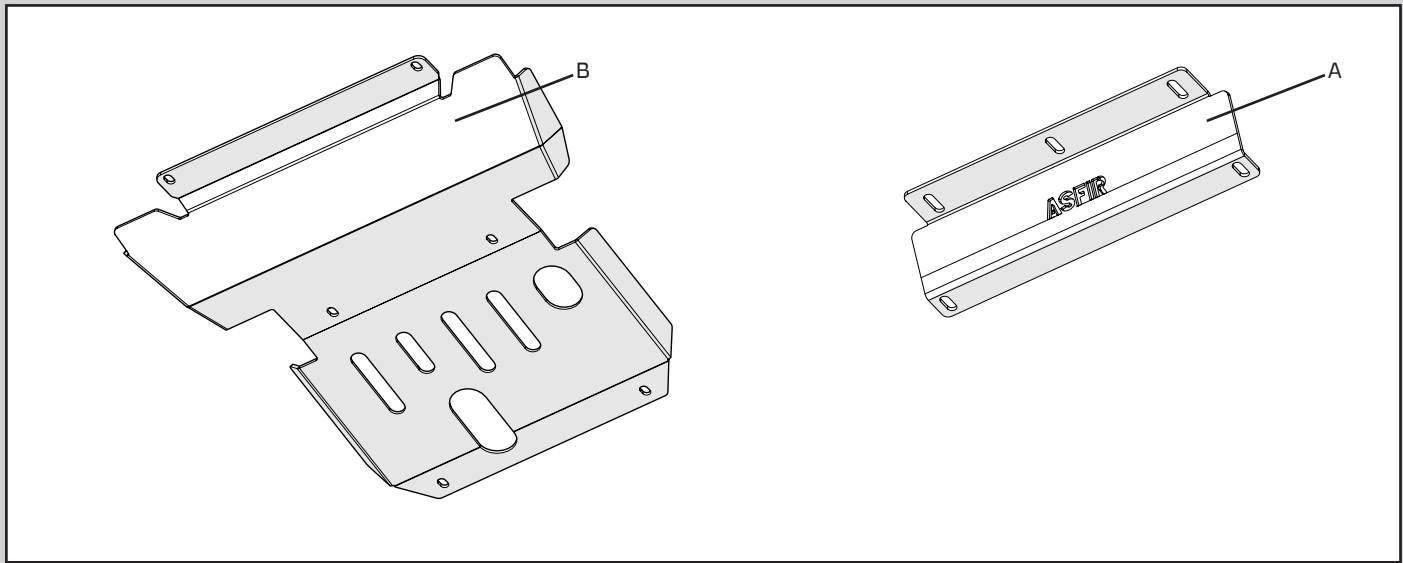
# Front skid plate

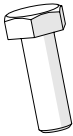

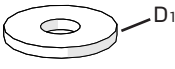
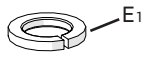
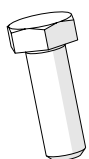
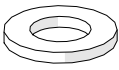

## Mounting instructions

### for Isuzu D-Max 4x4

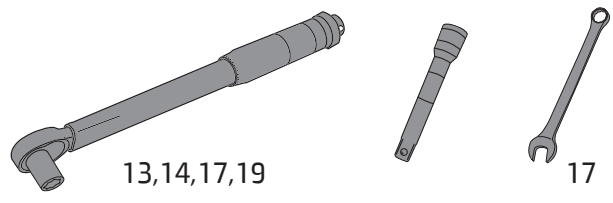
### 2012+

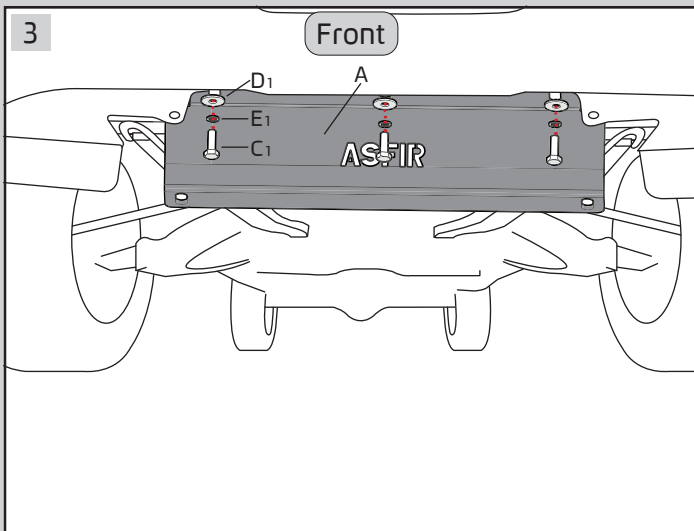
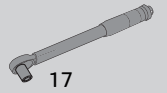
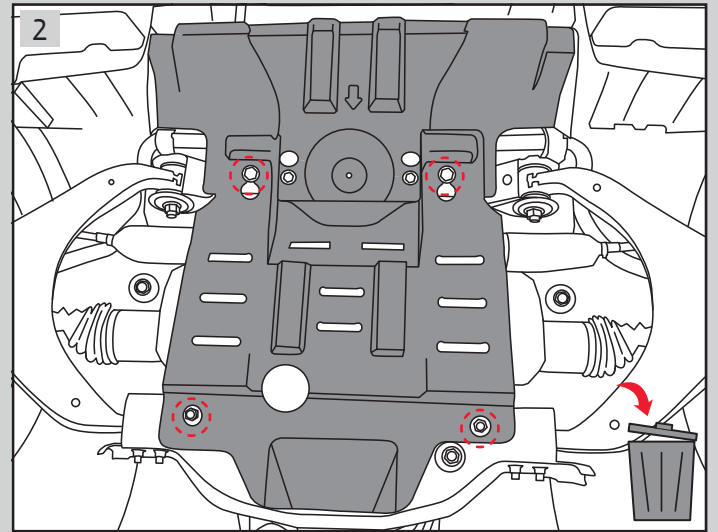
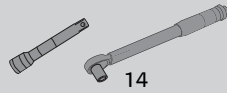
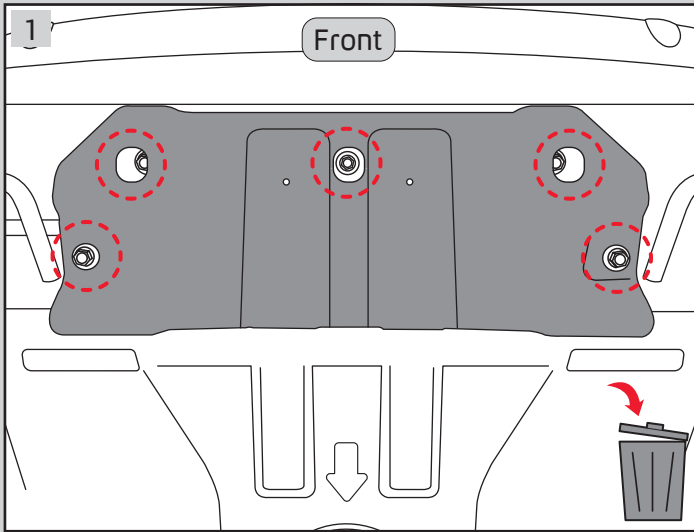




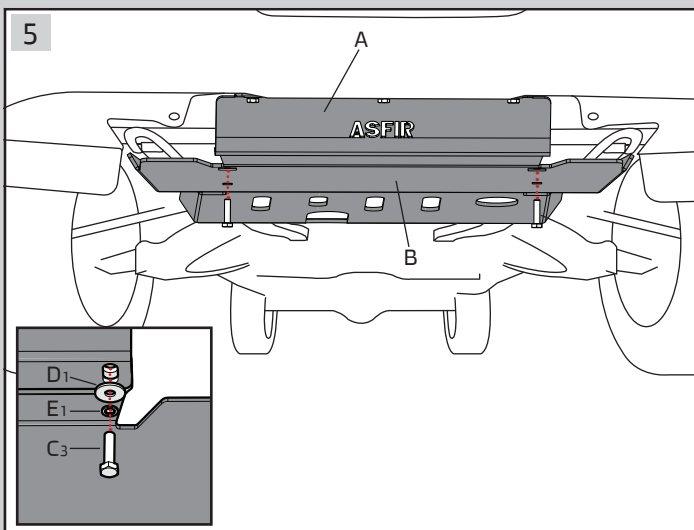
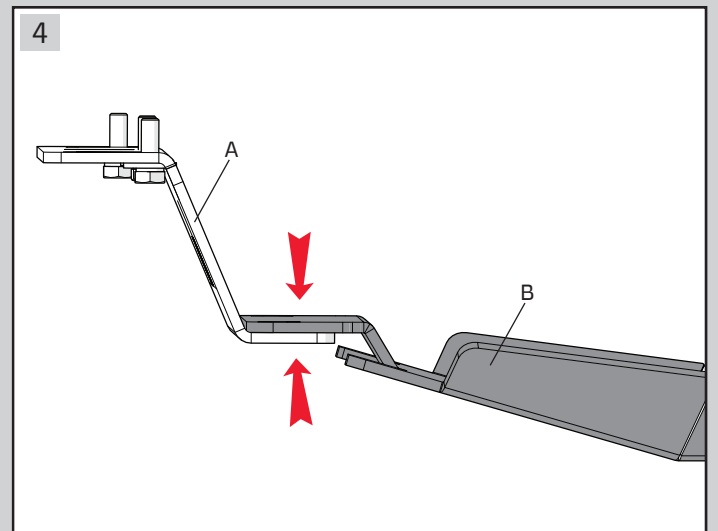
<p>x5</p>  <p>C1</p> <p>Hex bolt M10x1.25x30</p>	<p>x4</p>  <p>C3</p> <p>Hex bolt M10x1.25x40</p>	<p>x9</p>  <p>D1</p> <p>Washer 10x30</p>	<p>x9</p>  <p>E1</p> <p>Spring washer 10</p>
<p><b>M12 Bolt Kit</b></p> <p>Use M12 Bolt Kit if your vehicle has M12 thread</p>			
<p>x4</p>  <p>C2</p> <p>Hex bolt M12x1.25x35</p>		<p>x4</p>  <p>D2</p> <p>Washer 12x27</p>	<p>x4</p>  <p>E2</p> <p>Spring washer 12</p>

Maximum Tightening Torques	
M10 (8.8)	50 Nm

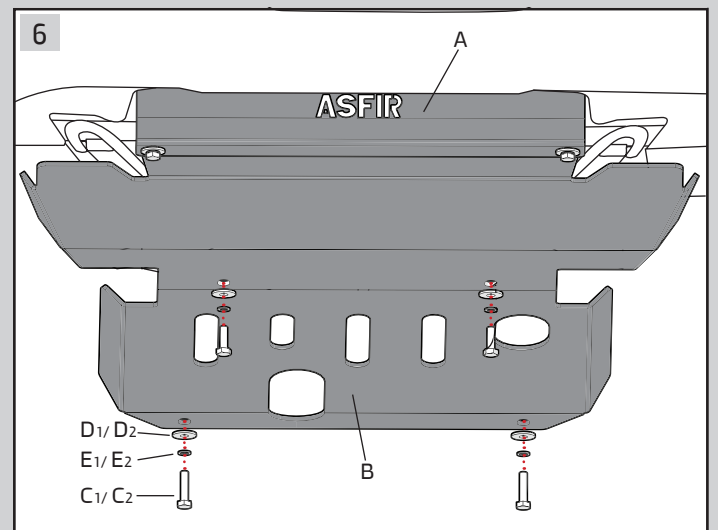
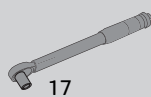




Screw into original screw



Screw into original screw



Screw into original screwing.  
Use M12 Bolt Kit if your vehicle has M12 thread.  
Tighten all bolts

