

NO.	PART NUMBER	DESCRIPTION	QTY.
1	ISW52.010.000	Tow beam	1
2	ISW52.020.001	Right bracket	1
3	ISW52.030.001	Left bracket	1
4	ISW52.040.000	Tow Bracket	1
5	ISW51.000.001	Flat	2
6	SW26.040.000	Locking Pin	1
7	ISW51.100.000	Electric Connection	1
8	9213213217	Identification plate	1
9	1001	Hex Bolt M12x1.75x16 DIN 933	1
10	1004	Hex bolt M12x1.75x40 DIN 933	6
11	1012	Hex bolt M12x1.75x30 DIN 933	4
12	1033	Hex Bolt M12x1.25x35 DIN 961	2
13	3001	Hex Nut Nylock M12x1.75 DIN 985	4
14	6005	Spring washer 12 DIN 127	8
15	6006	Washer 12x24 DIN125	16
16	2801	Wrench ASFIR 19 mm	1

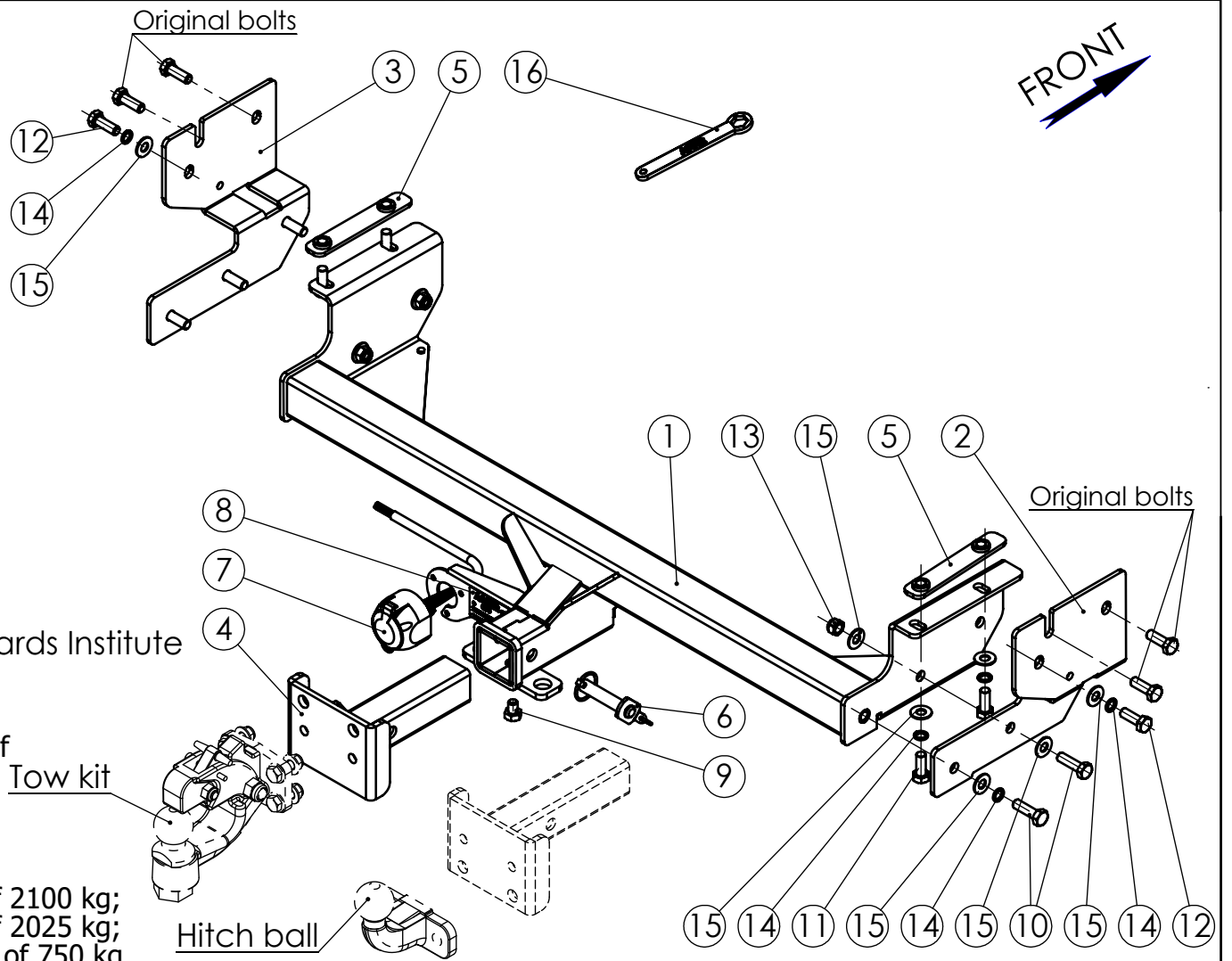
Registration Licensing N:9213213217 Standards Institute from date 25.07.2012

ORDER OF MOUNTING:

1. Fix Tow beam (1) and Flats (5) to the chassis of vehicle with help of applicable fasteners.
2. Attach Right (2) and Left (3) Brackets with help of applicable fasteners.

THE TOW BAR APPROVED:

- for transmission 4x4 with brakes towing weight of 2100 kg;
- for transmission 4x2 with brakes towing weight of 2025 kg;
- for all transmissions without brakes towing weight of 750 kg



Maximum Tightening Torques	
M12 (8.8)	90 Nm
UNC5/8"Gr.5	175Nm

Confidential
 All rights in and to this document are property of ASFIR Ltd. and reserved to it. This document is forwarded to the recipient under the condition of and subject to the obligation of the recipient to keep the confidentiality of its contents. Copying transfer of distribution of this document or its contents and the use of it not for the purpose intended-are strictly forbidden.

	NAME	SIGN.	DATE
CHG.	David		08.03.17
DWN.	Charnay		11.06.12
PLN.	David		08.03.17
CONFIRM	Dani		

ASFIR LTD.

Drawing number		Product Description	
ISW52.000.000		Vehicle Manuf.	ISUZU
Drawing description		Vehicle Model	D-MAX
Detachable Towing Device		Vehicle Version	Double Cab
Catalogue number		VIN	MPATFS87JHT001916
530140		Year of Product.	2012-2017
Weight,kg 35		Gear Shift	AUTOMATIC / MANUAL
		Motor Model	DIESEL 2.5TD / 1.9TD
		Transmission	4X2, 4X4