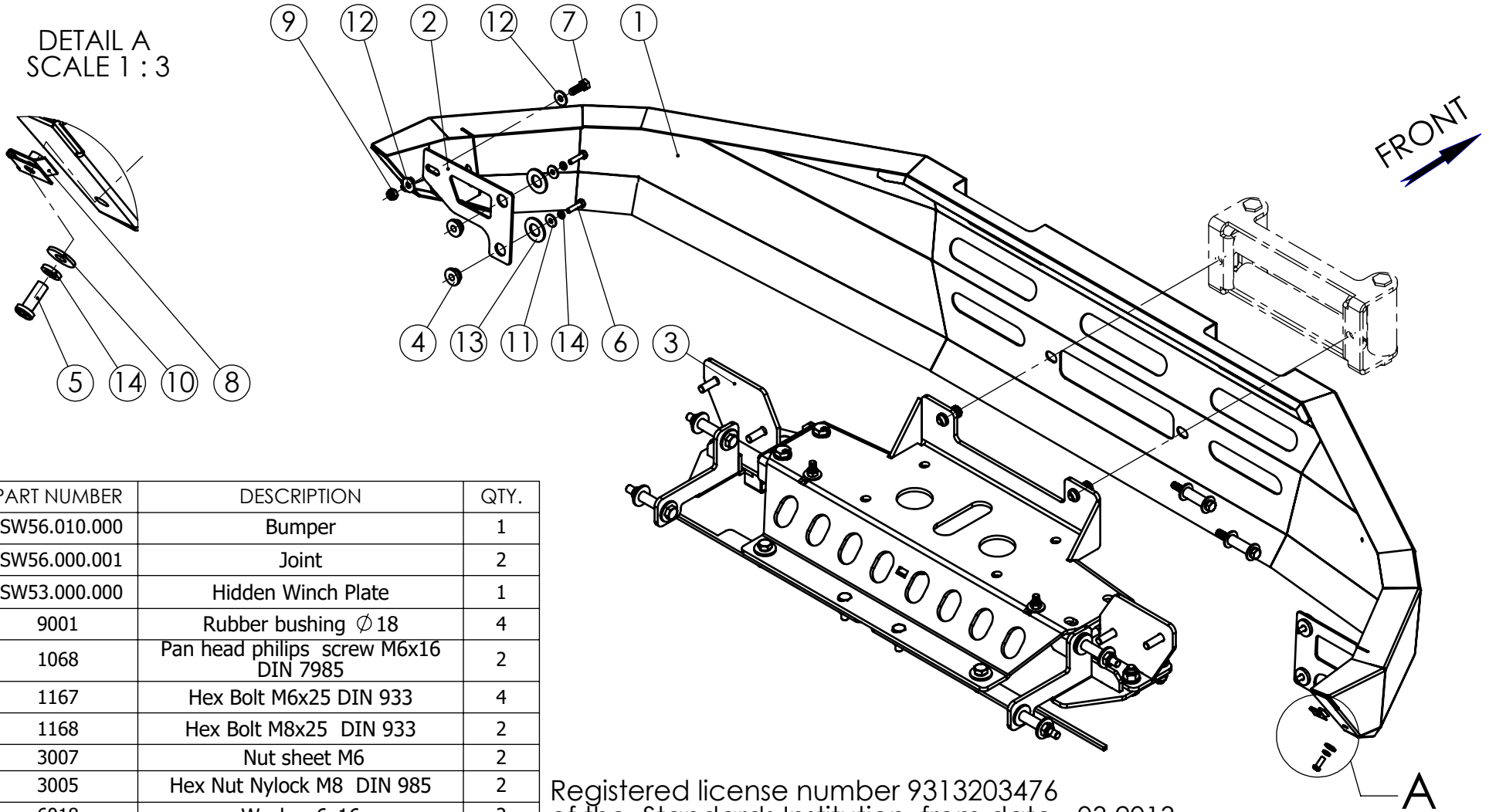


DETAIL A  
SCALE 1 : 3



NO	PART NUMBER	DESCRIPTION	QTY.
1	ISW56.010.000	Bumper	1
2	ISW56.000.001	Joint	2
3	ISW53.000.000	Hidden Winch Plate	1
4	9001	Rubber bushing $\phi$ 18	4
5	1068	Pan head philips screw M6x16 DIN 7985	2
6	1167	Hex Bolt M6x25 DIN 933	4
7	1168	Hex Bolt M8x25 DIN 933	2
8	3007	Nut sheet M6	2
9	3005	Hex Nut Nylock M8 DIN 985	2
10	6018	Washer 6x16	2
11	6011	Washer 6x18 DIN 9021	4
12	6003	Washer 8x20 DIN 125	4
13	6027	Washer 16x35	4
14	6009	Spring washer 6 DIN 127	6
15	ISW56.000.000I	Instructions	1

Registered license number 9313203476  
of the Standards Institution from date - 03.2013.

				Drawing number	Product Description	
	NAME	SIGN.	DATE	ISW56.000.000	Vehicle Manuf.	ISUZU
CHG.	David		08.03.17		Vehicle Model	D-MAX
DWN.	Slava		31.03.13		Vehicle Version	Double Cab
PLN.	David		08.03.17	Drawing description	VIN	MPATFS87JHT001916
CONFIRM	Dani			ATL Winch Bumper	Year of Product.	2012-2017
<h1 style="text-align: center;">ASFIR LTD.</h1>				Catalogue number	Gear Shift	AUTOMATIC / MANUAL
				530004	Motor Model	DIESEL 2.5TD / 1.9TD
				Mass,kg 28	Transmission	4X4

Confidential  
All rights in and to this document are property of ASFIR Ltd. and reserved to it.  
This document is forwarded to the recipient under the condition of and subject  
to the obligation of the recipient to keep the confidentiality of its contents.  
Copying transfer of distribution of this document or its contents and the use  
of it not for the purpose intended-are strictly forbidden.