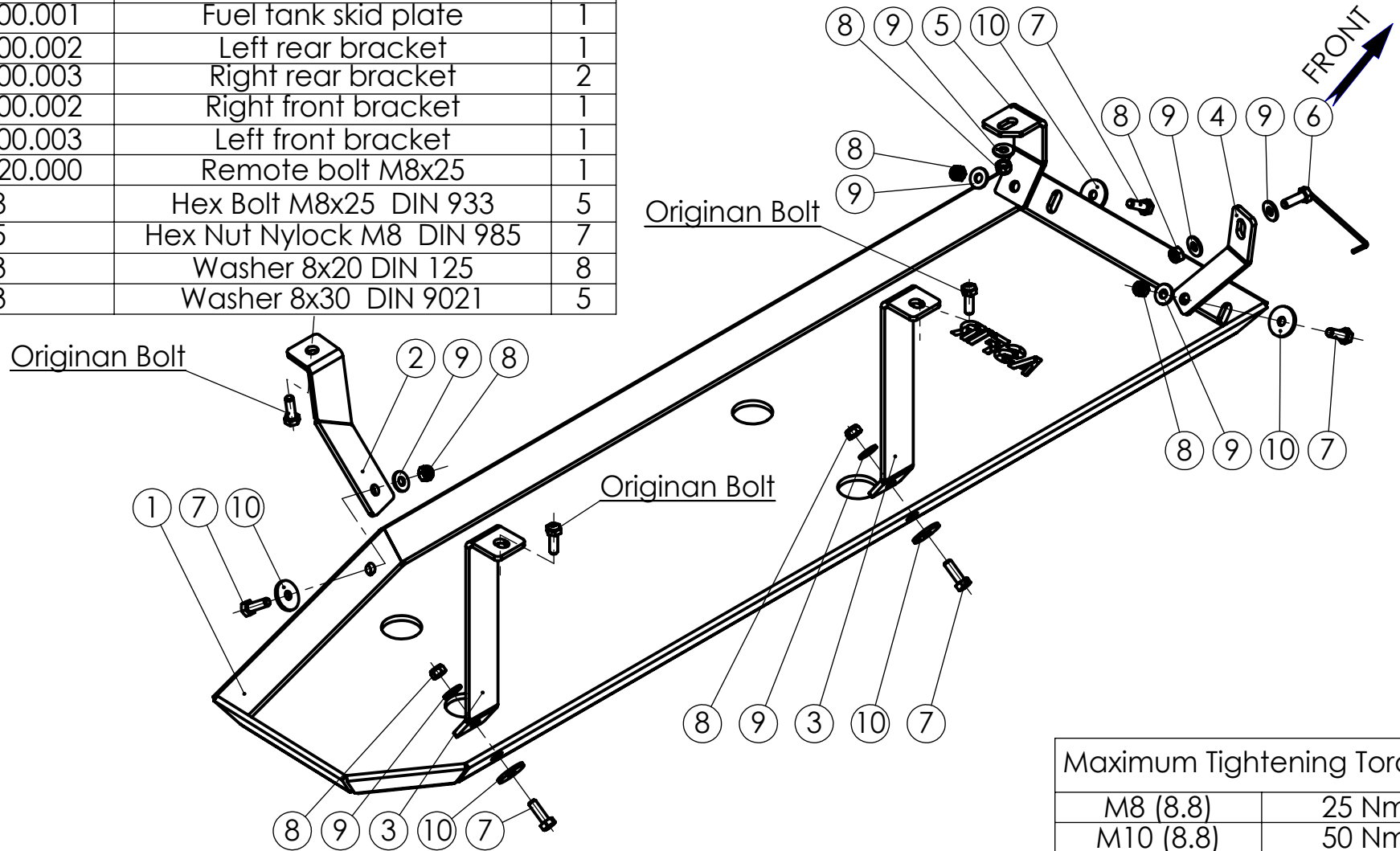


NO	PART NUMBER	DESCRIPTION	QTY
1	VWM23.000.001	Fuel tank skid plate	1
2	VWM23.000.002	Left rear bracket	1
3	VWM23.000.003	Right rear bracket	2
4	VWM20.000.002	Right front bracket	1
5	VWM20.000.003	Left front bracket	1
6	VWM20.020.000	Remote bolt M8x25	1
7	1168	Hex Bolt M8x25 DIN 933	5
8	3005	Hex Nut Nylock M8 DIN 985	7
9	6003	Washer 8x20 DIN 125	8
10	6013	Washer 8x30 DIN 9021	5



Maximum Tightening Torques	
M8 (8.8)	25 Nm
M10 (8.8)	50 Nm

NAME	SIGN.	DATE	Drawing number	Product Description	
CHG. David		07.11.17	VWM23.000.000	Vehicle Manufacturer	Volkswagen
DWN. Slava		15.12.13	Drawing description	Vehicle Model	Amarok
PLN. David		07.11.17	Fuel Tank Skid Plate	VIN	WV1ZZZ2HZDH021554
CONFIRM Dani			Catalogue number	Year of Production	2013-2018
ASFIR LTD.			523071	Gear Shift	Automatic
			Mass, kg 9.0	Motor Model	Diesel 2.0L/3.0L TDI
			Sheet	Sheets 1	Transmission

Confidential
 All rights in and to this document are property of ASFIR Ltd. and reserved to it.
 This document is forwarded to the recipient under the condition of and subject
 to the obligation of the recipient to keep the confidentiality of its contents.
 Copying transfer of distribution of this document or its contents and the use
 of it not for the purpose intended are strictly forbidden.