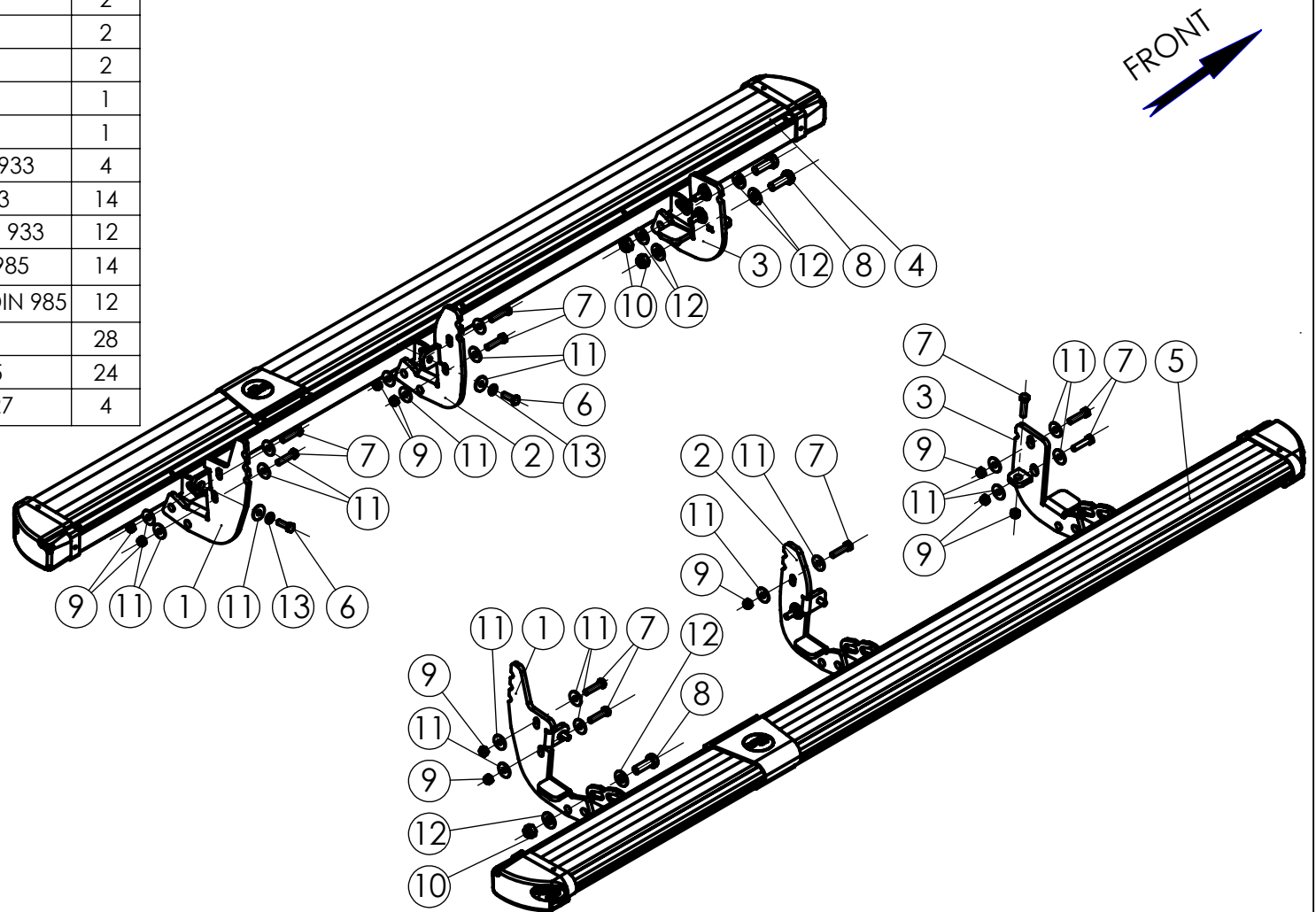


NO.	PART NUMBER	DESCRIPTION	QTY.
1	MTM67.000.001	REAR BRACKET	2
2	MTM67.000.002	MIDDLE BRACKET	2
3	MTM67.030.000	FRONT BRACKET	2
4	MTM67.100.000	LEFT STEP	1
5	MTM67.100.000R	RIGHT STEP	1
6	1168	Hex Bolt M8x25 8.8 DIN 933	4
7	1000	Hex Bolt M8x35 DIN 933	14
8	1003	Hex bolt M12x1.75x35 DIN 933	12
9	3005	Hex Nut nylock M8 DIN 985	14
10	3001	Hex Nut Nylock M12x1.75 DIN 985	12
11	6098	Washer 8x24 DIN 9021	28
12	6006	Washer 12x24 DIN125	24
13	6001	Spring washer 8 DIN 127	4



#### Maximum Tightening Torques

M8 (8.8)	24 Nm
M12 (8.8)	83 Nm

	NAME	SIGN.	DATE	Drawing number	Product Description	
CHG.	Sagi		06.10.16	MTM67.000.000	Vehicle Manufacturer	Mitsubishi
DWN.	Charnay		05.10.09		Vehicle Model	Pajero BK
PLN.	David		27.09.17	Drawing description	Vehicle Version	LWB
CONFIRM	Dani			SIDE STEP PROTECTOR Silver	Year of Production	2007-2016
<b>ASFIR LTD.</b>				Catalogue number	Gear Shift	Automatic
				501054	Motor Model	Diesel/Petrol
				Weight , kg 27.2	Transmission	4 x 4

Confidential

All rights in and to this document are property of ASFIR Ltd. and reserved to it. This document is forwarded to the recipient under the condition of and subject to the obligation of the recipient to keep the confidentiality of its contents. Copying transfer of distribution of this document or its contents and the use of it not for the purpose intended are strictly forbidden.