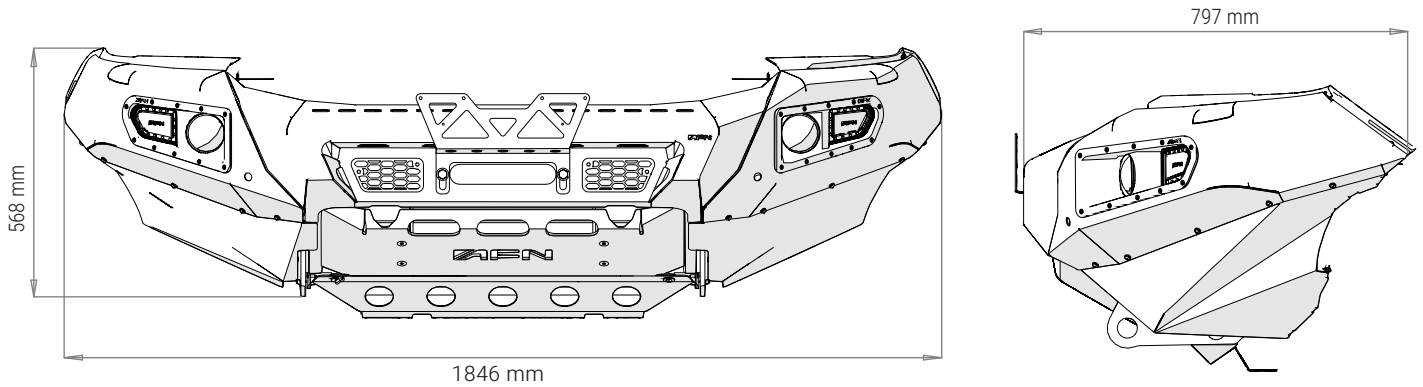


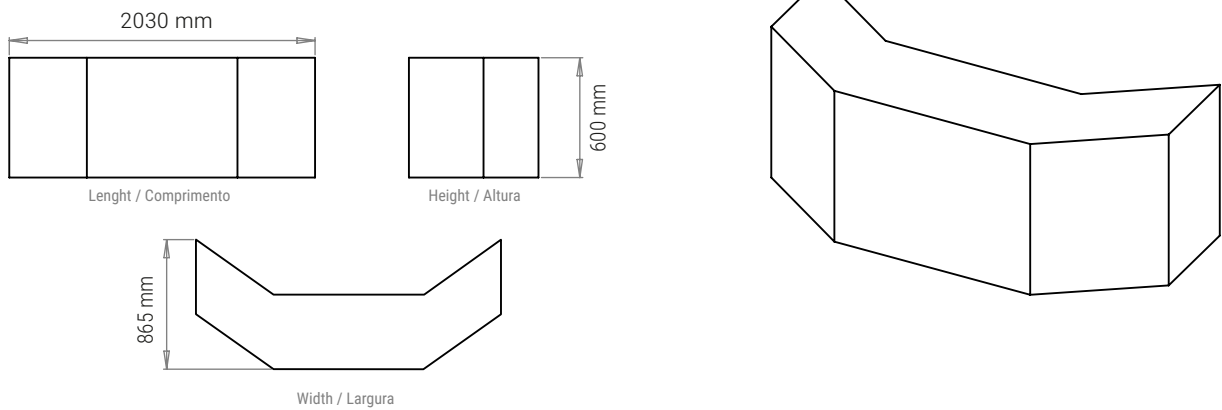
PRODUCT SPECIFICATIONS

48002791 FRONT BUMPER TOYOTA HILUX REVO



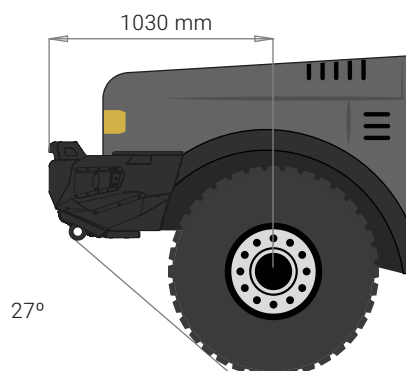
Weight: 75Kg

PACKAGING FOR SHIPMENT



Weight: 14 Kg

APPROACH AND DEPARTURE ANGLES



*referring to the original tire