

FITTING INSTRUCTIONS

WARNING:

Before you begin installation, read all instructions thoroughly.
Proper tools will improve the quality of installation and reduce the time required.

- This product should be installed as demonstrated in the *Product «Fitting Instructions»*;
- The specified parts, will only fit the models specified by **AFN**;
- Do not modify any component of the product;
- It is recommended that this product is installed by specialized and trained personnel;
- AFN doesn't take responsibility for changes made in the vehicle by its manufacturer;
- Work safely and use specialized tools at all times;
- **Always use protective gear.**

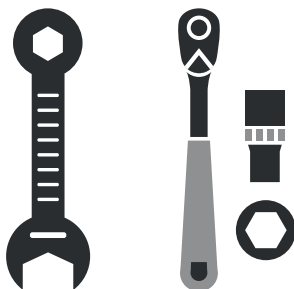


Size	Torque Nm	Torque lbft
M6	9 Nm	7 lbft
M8	22 Nm	16 lbft
M10	44 Nm	32 lbft
M12	77 Nm	57 lbft

Mouting Time

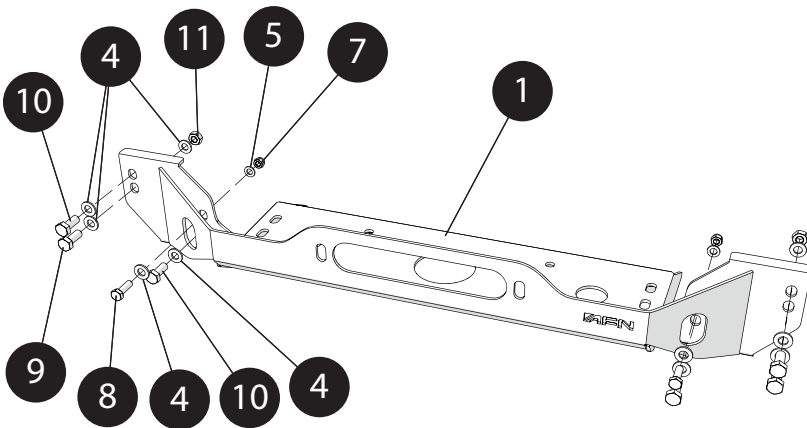
- 1 hour
- 1 person (recommended)

Tools Required



- Wrench
- Ratchet wrench

STEP1 - FITTING AFN WINCH MOUNT

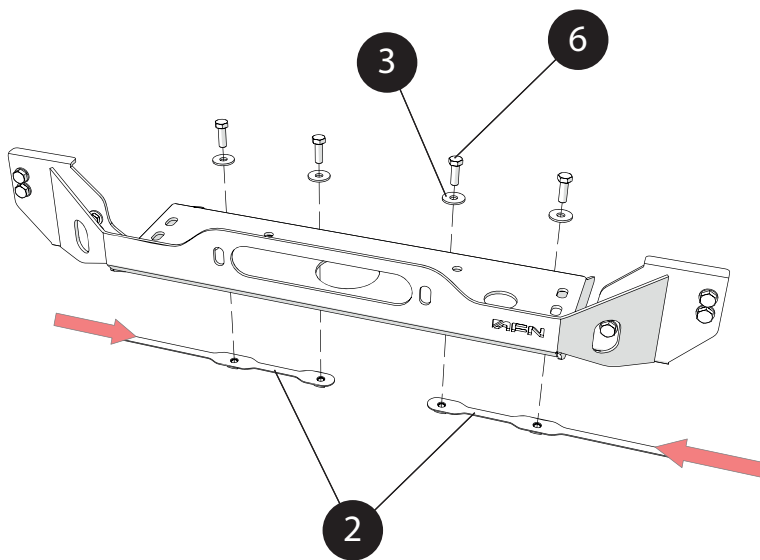


NUMBER	REF	QUANTITY
1	47002453	1x
4	45001254	10x
5	45001255	2x
7	45001521	2x
8	45001537	2x
9	45001582	2x
10	45001589	4x
11	45001707	2x

Fit the **AFN Winch Mount** in the **Vehicle**.

Fit first 4x Bolts M10x25x1.25(**10**) with 4x Washers M10(**4**). Then, use 2x Bolts M10x25(**9**) with 4x Washers M10(**4**), and 2x Lock Nuts M10(**11**), on the sides. In the middle, use 2x Bolts M8x25(**8**) with 2x Washers M10(**4**), 2x Washers M10(**5**) and 2x Nylock Nuts M10(**7**).

STEP2 - FITTING AFN WINCH MOUNT



Do not tighten yet.

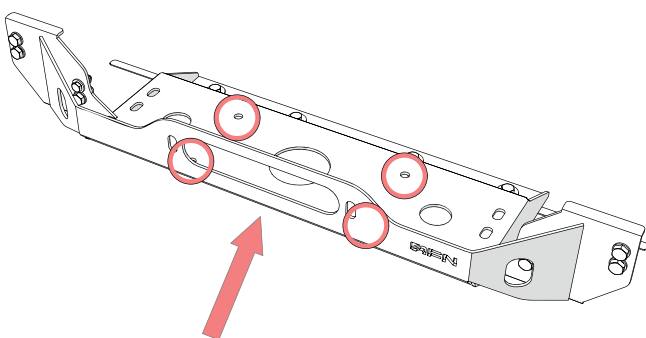
NUMBER	REF	QUANTITY
2	47002454	2x
3	45001251	4x
6	45001519	4x

Fit Double Nut Plates(**2**) in the **AFN Winch Mount(1)** using 4x Bolts M10x30(**6**) with 4x Washers M10(**3**).

Bare in mind, that the Double Nut Plates(**2**) must enter through the chassis.

Do not tighten yet.

STEP3 - FITTING WINCH ON AFN'S WINCH MOUNT



Once that is done, fit the **Winch** you have to be mounted using the marks in the **red circles**.

Once that is done full tight your **Winch's bolts**.

Please bare in mind that there is no need to trim the OEM Bumper too much, **only the area that the winch's cable passes through**. Otherwise, it will cause an unpleasant look.