

CRAFTED LIKE NO OTHER

DON'T JUST SETTLE
FOR THE SAME
OLD BULL

OWNER MANUAL

TOYOTA
PRADO 150 2018+

AFN[®]
4 X 4 ACCESSORIES



WELCOME TO THE AFN FAMILY

This manual contains the **Toyota PRADO 150 +2018** fitting instructions for:
Bullbar Ref.: 48002477 **Front Bumper Ref.: 48002614**

1 INTRODUCTION



The Company

Founded in 1995, AFN - 4x4 Accessories dedicates itself to the production and commerce of all-terrain accessories. Its constant concern in its customers total satisfaction, and in the ideals of innovation and transformation have granted a position of notability both in the national and international panorama.

The only company in Portugal in the mass production of 4x4 accessories, relies on specialized and experienced technicians, with the most adequate knowledge, to an efficient response capability to its customers demands.

Thanks to the specialization in the several areas of design and manufacture and to a constant investment in technology, AFN has been broadening its wide range of products, without ever neglecting the quality factor.

4x4 Accessories

In its diversity of products we can include, with all-terrain quality, protection, safety and aesthetic accessories.

And it is here that AFN invest on the best technology, the best cut precision of the raw material, and the transformation of products with the quality recognized in the marketplace.

AFN has, at its disposal, resources to test and analyse the resistance of its products and stands in the front row regarding the European homologation of materials dedicated to all terrain.

The contact with the most important test laboratories for vehicles, both in England, Spain and Germany, provides AFN with the know-how to manufacture a wide range of quality products.

Our Design Approach

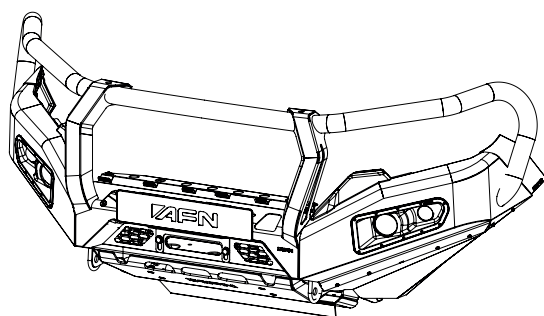
AFN designs each accessorie taking into consideration the original model lines and fixing points. We refuse to have a "one design fits all" solution and we are always looking foward to embrace new challenges on how to adjust a new product into a new model!

The days of just throwing on a bit of steel together to form a protection system are gone. AFN is leading the way modern vehicle protection components are manufactured. Other will follow, and it won't be long where the AFN approach to Styling, Fit, Form and Function will become the benchmark for all other manufacturers.





INDEX



AFN 4x4 Accessories

Product: **Bullbar**

Part Ref.: **48002477**

Product: **Front Bumper**

Part Ref.: **48002614**

Introduction 2

1 Checklist 4

Product 48002477

Product 48002614

2 Fitting Instructions 6

3 PRADO 150 Catalogue 23

4 Warranty Terms 24

5 AFN 4x4 Partners 25



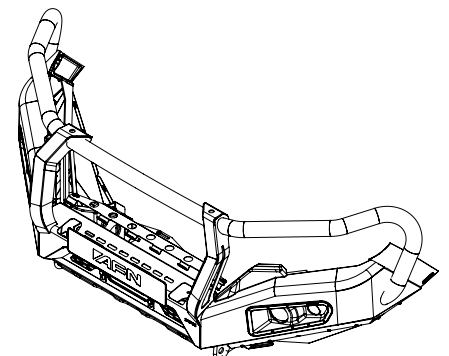
1 CHECKLIST

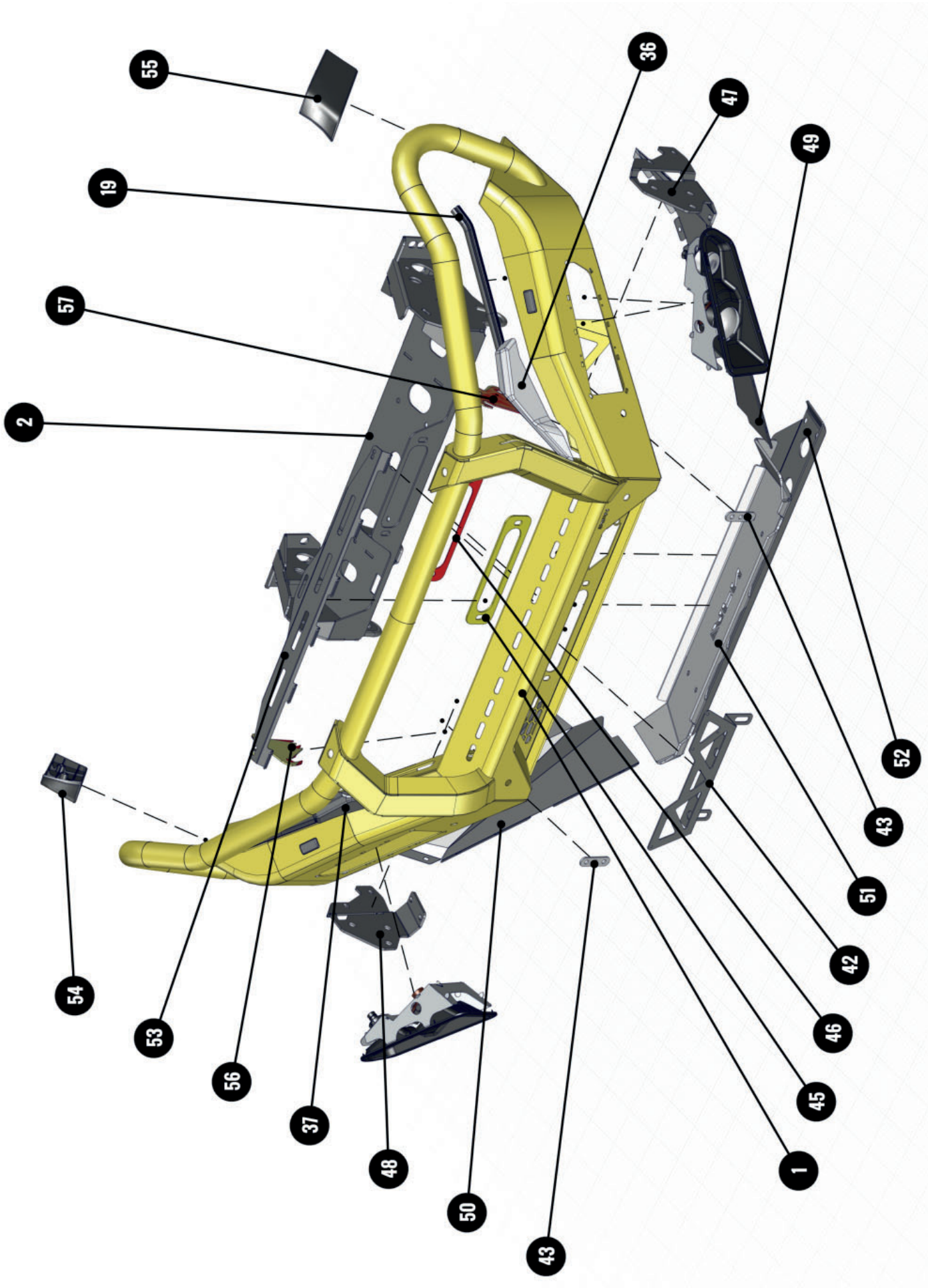


- In this section you have a checklist with all parts included for the installation of your AFN product
- This product should be installed as demonstrated in the product fitting instructions
- If verified that any component is damaged, please contact your nearest AFN distributor
- The specified parts will only fit in the models specified by AFN
- Do not modify any component of the product

This checklist are for both products **48002477** and **48002614**.

NUMBER	DESCRIPTION	REFERENCE	QTY	NUMBER	DESCRIPTION	REFERENCE	QTY
1	Bullbar Toyota Prado LC150	47002004	1x	30	Cage Nut M6	45001012	12x
2	Winch Bracket Toyota Prado LC150	47002005	1x	31	Bolt M12x40	45001029	8x
3	XXXXXXXXXXXXXX	46????	4x	32	Nylock Nut M12	45001033	6x
4	Bolt M10x30	45000007	6x	33	Plastic Nut	45001113	32x
5	Bolt M8x30	45000008	2x	34	Bolt M3,5x16	45001114	20x
6	Washer M10	45000010	8x	35	Bolt M3,5x16	45001123	12x
7	Washer M8	45000011	4x	36	Right Headlight Rubber	46007633	1x
8	Washer M12	45000036	2x	37	Left Headlight Rubber	46007634	1x
9	Washer M6	45000044	7x	38	AFN Headlight Mask (Right Side)	46005296	1x
10	Bolt M6x25	45000077	4x	39	AFN Headlight Mask (Left Side)	46005297	1x
11	Bolt M8x40	45000091	2x	40	Fog Light Bracket (Right Side)	46005506	1x
12	Daylight	45000238	2x	41	Fog Light Bracket (Left Side)	46005507	1x
13	Nylock Nut M4	45000275	4x	42	Plate Bracket	46005518	1x
14	Bolt M12x40	45000361	2x	43	Triple Washer plate	46006703	2x
15	Bolt M5x20	45000383	10x	44	Square Washer M12 40x40	46007001	12x
16	Nylock Nut M5	45000402	10x	45	Front Winch Bracket Shim 2mm thickness	46007412	1x
17	Bolt M6x20	45000462	3x	46	Front Winch Bracket Shim 4mm thickness	46007413	1x
18	Washer M5	45000476	16x	47	Right Winch Reinforcement	46007626	1x
19	Side Rubber	45000502	2x	48	Left Winch Reinforcement	46007627	1x
20	Bolt M4x16	45000834	4x	49	Right Flap	46007628	1x
21	Left Fog light	45000896	1x	50	Left Flap	46007629	1x
22	Right Fog light	45000897	1x	51	Front Skid Plate	46007630	1x
23	Side Indicators	45000898	2x	52	Lower Skid Plate	46007631	1x
24	Washer M6	45000931	12x	53	Grill Bracket	46007632	1x
25	Bolt M10x30	45000934	8x	54	Side Plastic (Left Side)	46007635	1x
26	Cage Nut	45000949	8x	55	Side Plastic (Right Side)	46007636	1x
27	Bolt M4x16	45000982	4x	56	Side Winch Bracket Shim 4mm thickness	46007637	2x
28	Washer M12	45000995	4x	57	Side Winch Bracket Shim 2mm thickness	46007638	2x
29	Bolt M6x20	45000998	12x				





2 FITTING INSTRUCTIONS



WARNING:

Before you begin installation, read all instructions thoroughly.
Proper tools will improve the quality of installation and reduce the time required.

- This product should be installed as demonstrated in the *Product «Fitting Instructions»*;
- The specified parts, will only fit the models specified by **AFN**;
- Do not modify any component of the product;
- It is recommended that this product is installed by specialized and trained personnel;
- AFN doesn't take responsibility for changes made in the vehicle by its manufacturer;
- Work safely and use specialized tools at all times;
- **Always use protective gear.**

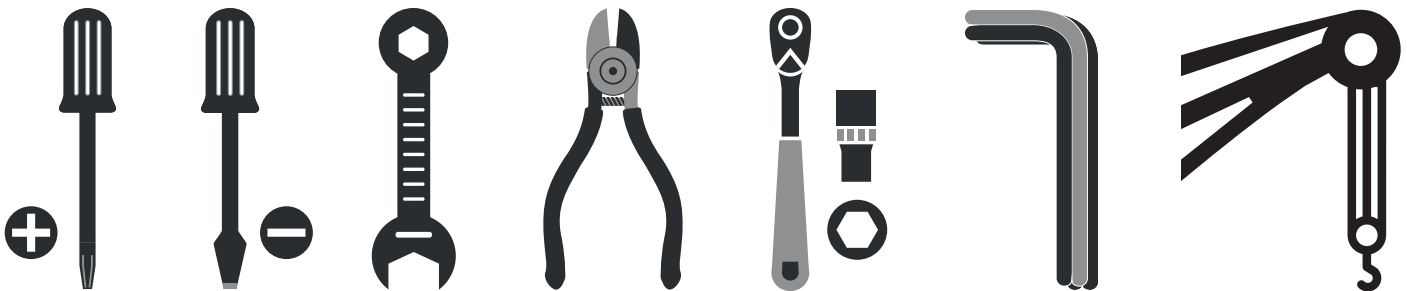


Size	Torque Nm	Torque lbft
M6	9 Nm	7 lbft
M8	22 Nm	16 lbft
M10	44 Nm	32 lbft
M12	77 Nm	57 lbft

Mouting Time

- 4 hours
- 2 persons (recommended)

Tools Required



- Screwdriver star head
- Screwdriver flat head
- Wrench
- Wire cutter
- Ratchet wrench
- Allen wrench
- Crane

Step 1 - Remove the OEM* Bumper

Remove the *OEM** bumper just as specified by the vehicle manufacturer in your maintenance manual. (*Be aware that you must save the OEM bolts and nuts.*)



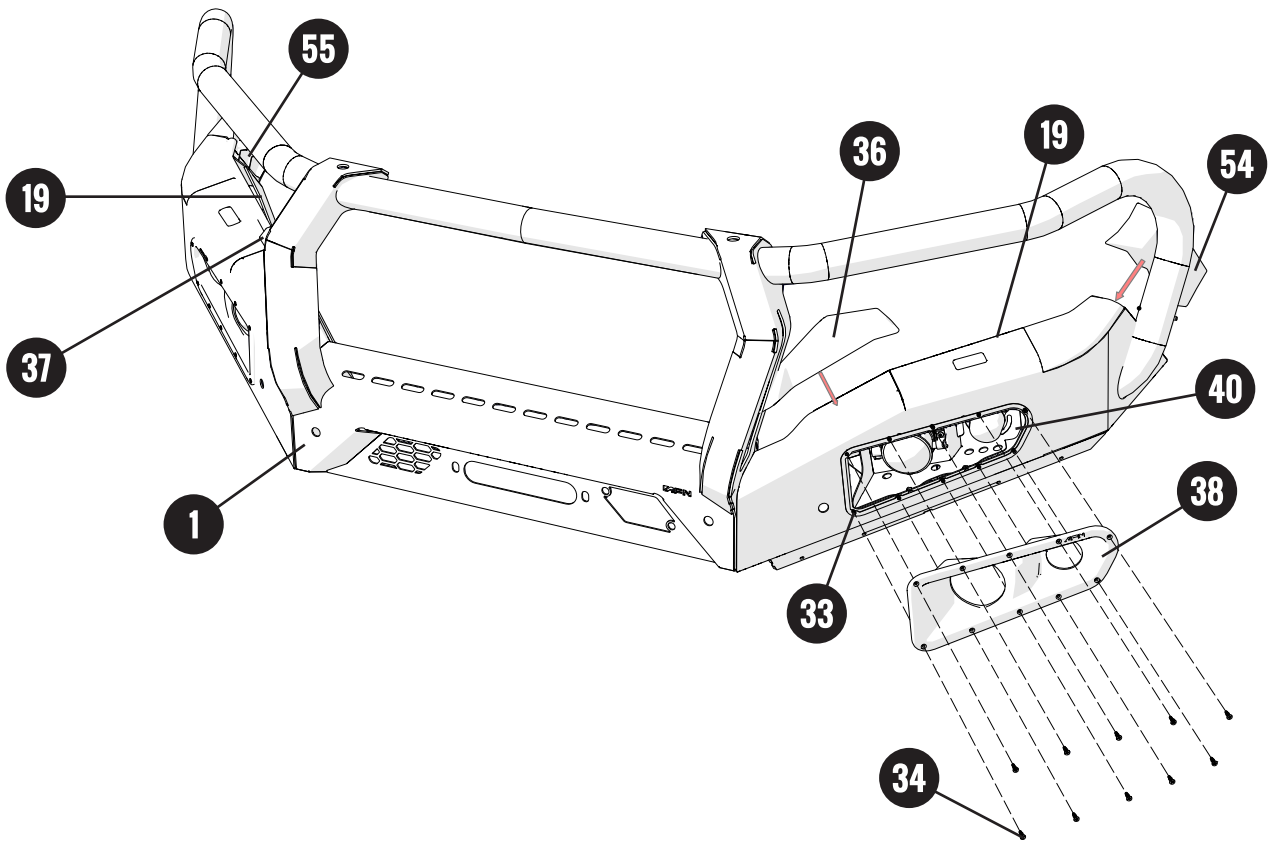
Also remove the grill of the vehicle and be careful so you don't break the fasteners of the grill.

If you done it correctly this is what it should look like.

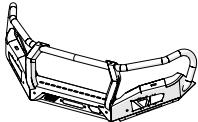
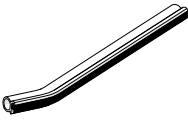
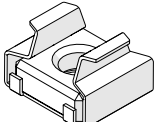
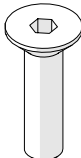
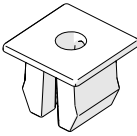

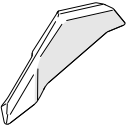
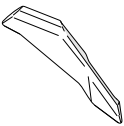
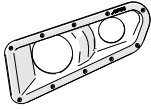
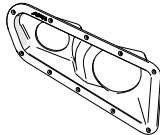
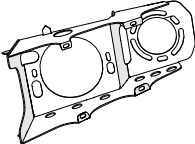
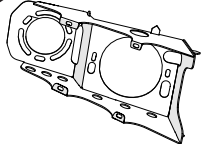
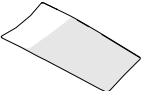



Step 2 - Preparation of the AFN Bullbar | Bumper

Preview



Parts needed:

- | | | | | | |
|---|--|---|--|--|---|
| 1

x1 Bullbar Prado 150 | 19

x2 Side Rubber | 26

x8 Cage Nut | 27

x8 Bolt M4x16 | 33

x20 Plastic Nut | 34

x20 Bolt M3,5x16 |
| 36

x1 Headlight Rubber Right Side | 37

x1 Headlight Rubber Left Side | 38

x1 AFN Headlight Mask Right Side | 39

x1 AFN Headlight Mask Left Side | 40

x1 Fog Light Bracket Right Side | 41

x1 Fog Light Bracket Left Side |
| 54

x1 Side Plastic Left Side | 55

x1 Side Plastic Right Side | | | | |

Step 2 - Preparation of the AFN Bullbar | Bumper

Installation

Before inserting the **AFN Bullbar | Bumper(1)** on the vehicle there are some details that we advise to do first (so, place it on a flat working surface).

Start by fitting the 10x Plastic Nuts(**33**), as showed. Then, fit the Right Fog Light Bracket(**40**) using 4x Bolts M4x16(**27**) and 4x Cage Nuts(**26**).

Once that is done, take on Right AFN Headlight Mask(**38**) and fit it into the **AFN Bullbar | Bumper(1)** using 10x Bolts M3,5x16(**34**).

Give the final torque.

On the other side of the **AFN Bullbar | Bumper(1)**, proceed the exact same way. So, start by fitting the 10x Plastic Nuts(**33**), as showed. Then, fit the Left Fog Light Bracket(**41**) using 4x Bolts M4x16(**27**) and 4x Cage Nuts(**26**).

Once that is done, take on Left AFN Headlight Mask(**39**) and fit it into the **AFN Bullbar | Bumper(1)** using 10x Bolts M3,5x16(**34**).

Give the final torque.

ATTENTION!

Remember to attach the electrical wires for the fog lights and indicators, once the **AFN Bullbar | Bumper** is fitted on vehicle.

We advise to do a test in order to check if all the lights are correctly working.

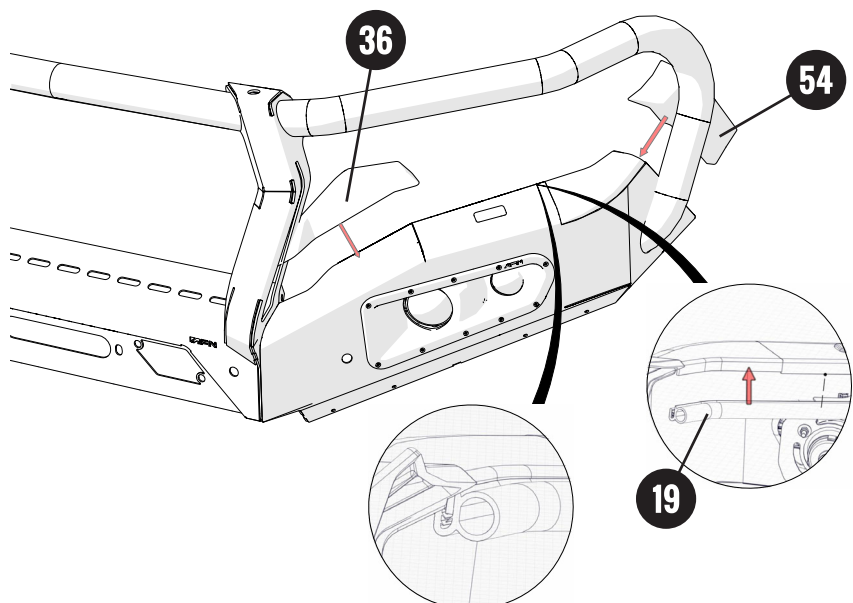
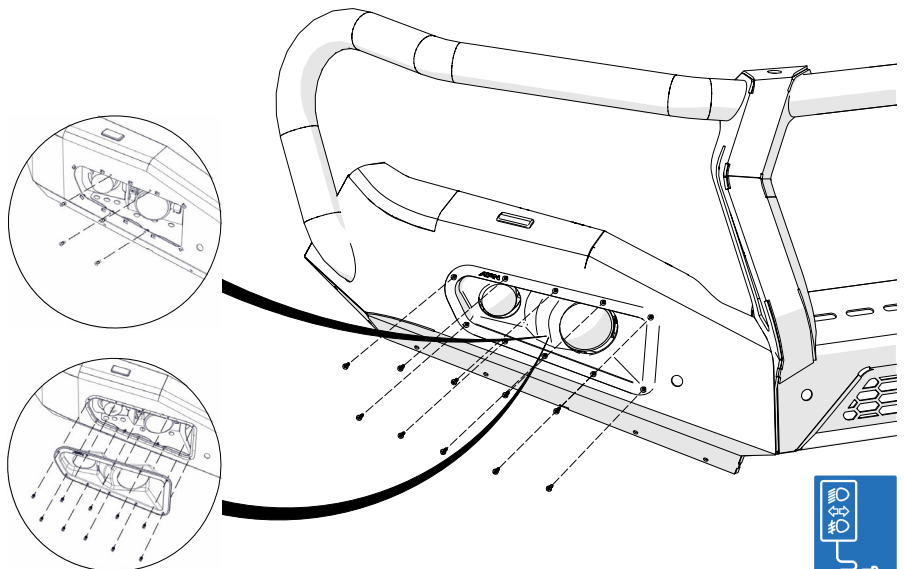
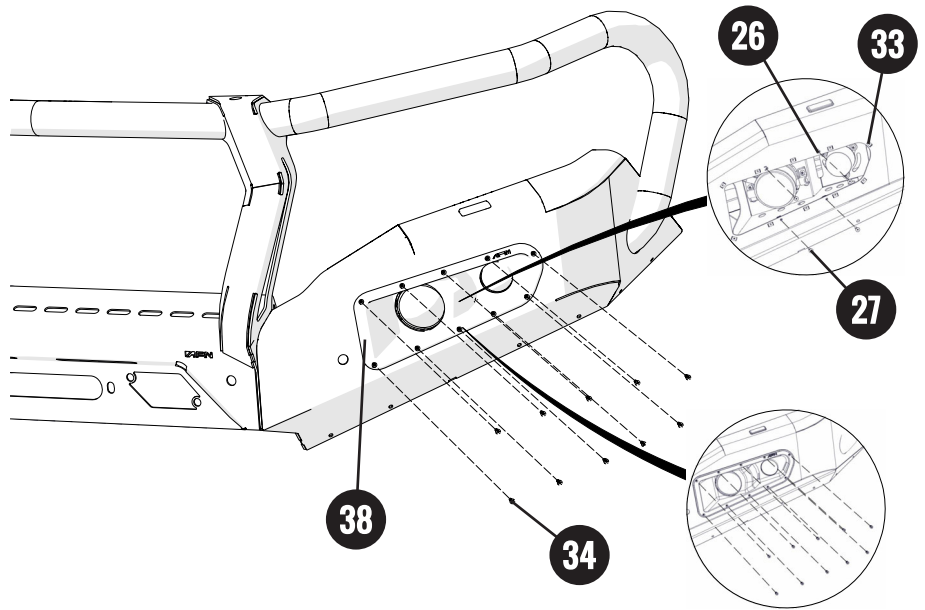
Once both Headlights are in place, fit the all the rubbers, showed in the image.

Fit the **Right Headlight Rubber(36)** as showed.

Other side **Left Headlight Rubber(37)**.

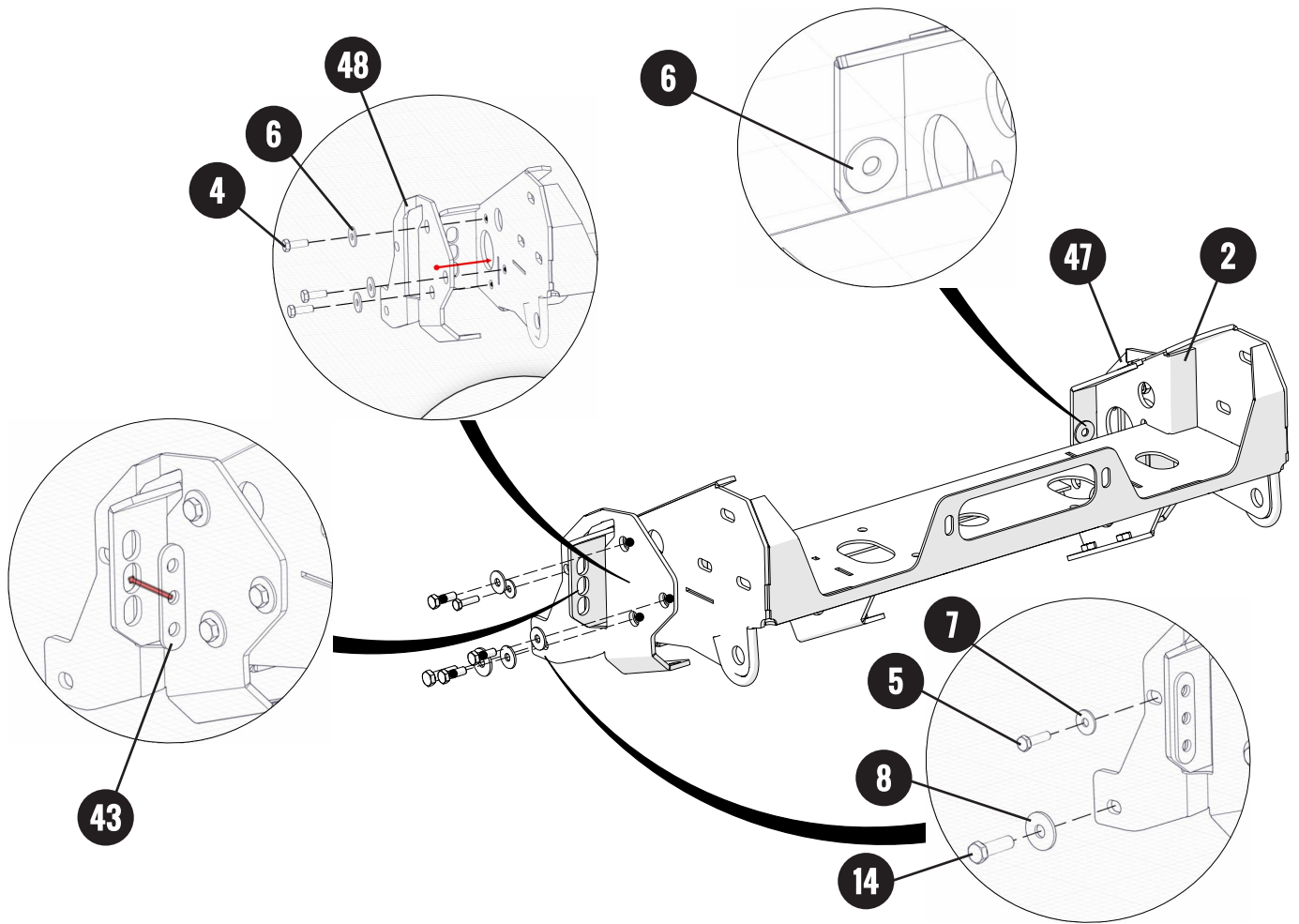
Fit the **Side Plastic(54)**, as showed.
Other Side - **Side Plastic(55)**.

Fit on both sides the **Side Rubber(19)**. Please check the correct positioning of this part.

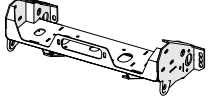
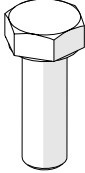
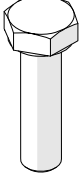
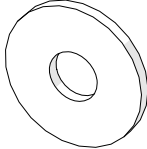
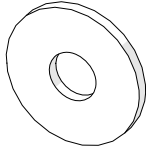
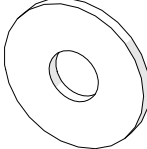
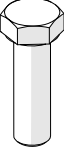
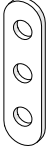
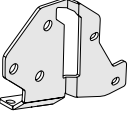
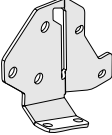


Step 3 - Fitting the Winch Bracket to the Chassis

Preview



Parts needed:

- | | | | | | |
|---|--|---|--|---|--|
| <p>2</p>  <p>x1 Winch Bracket</p> | <p>4</p>  <p>x6 Bolt M10x30</p> | <p>5</p>  <p>x2 Bolt M8x30</p> | <p>6</p>  <p>x8 Washer M10</p> | <p>7</p>  <p>x2 Washer M8</p> | <p>8</p>  <p>x2 Washer M12</p> |
| <p>14</p>  <p>x2 Bolt M12x40</p> | <p>43</p>  <p>x2 Triple Washer plate</p> | <p>47</p>  <p>x1 Winch Reinforcement
Right Side</p> | <p>48</p>  <p>x1 Winch Reinforcement
Left Side</p> | | |

Step 3 - Fitting the Winch Bracket to the Chassis

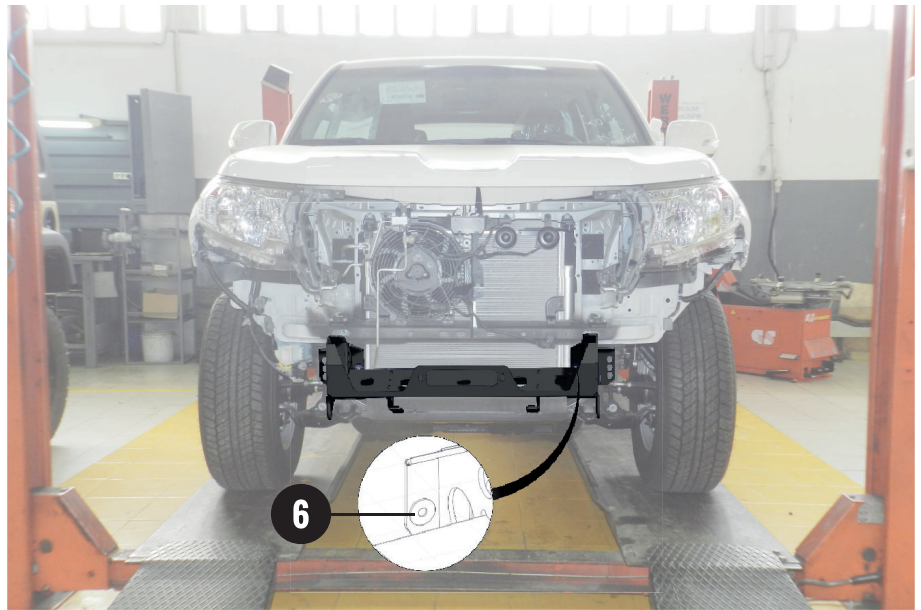
Installation

Fit the **Winch Bracket(2)** onto the **Chassis**. Bolts needed:

Re-use the 2x *OEM** Bolts with 2x Washers M10(6).

Just finger tight both bolts

Do Not tighten yet.



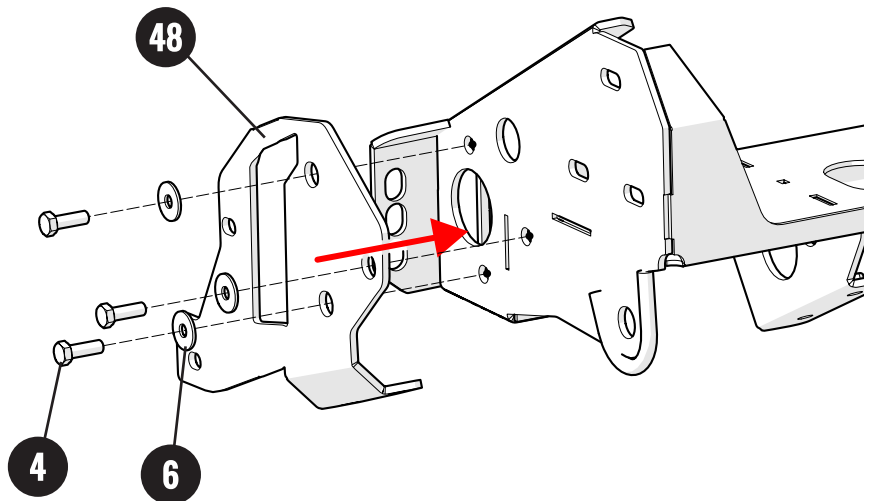
Once the **Winch Bracket(2)** is secured, take on Left Winch Reinforcement(48) and fit it into the **Winch Bracket(2)**.

Use 3x Bolts M10x30(4) with 3x Washer M10(6).

Repeat this step on the other side, for the Right Winch Reinforcement(47).

Just finger tight both bolts

Do Not tighten yet.



Fit the Left Winch Reinforcement(48) into the **Chassis** using 1x Bolt M8x30(5) with 1x Washer M8(7).

Below, use 1x Bolt M12x40(14) with 1x Washer M12(8).

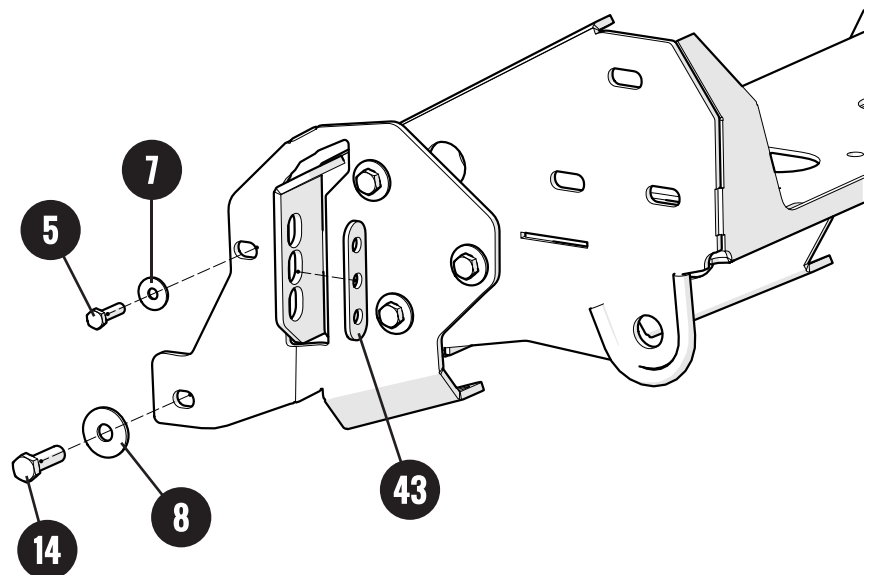
Repeat this step on the other side, for the Right Winch Reinforcement(47).

Finally, take on Triple Washer plate(43) plate and fit it into the **Winch Bracket(2)** re-using 3x *OEM** Bolts.

Repeat this step on the other side.

Just finger tight both bolts

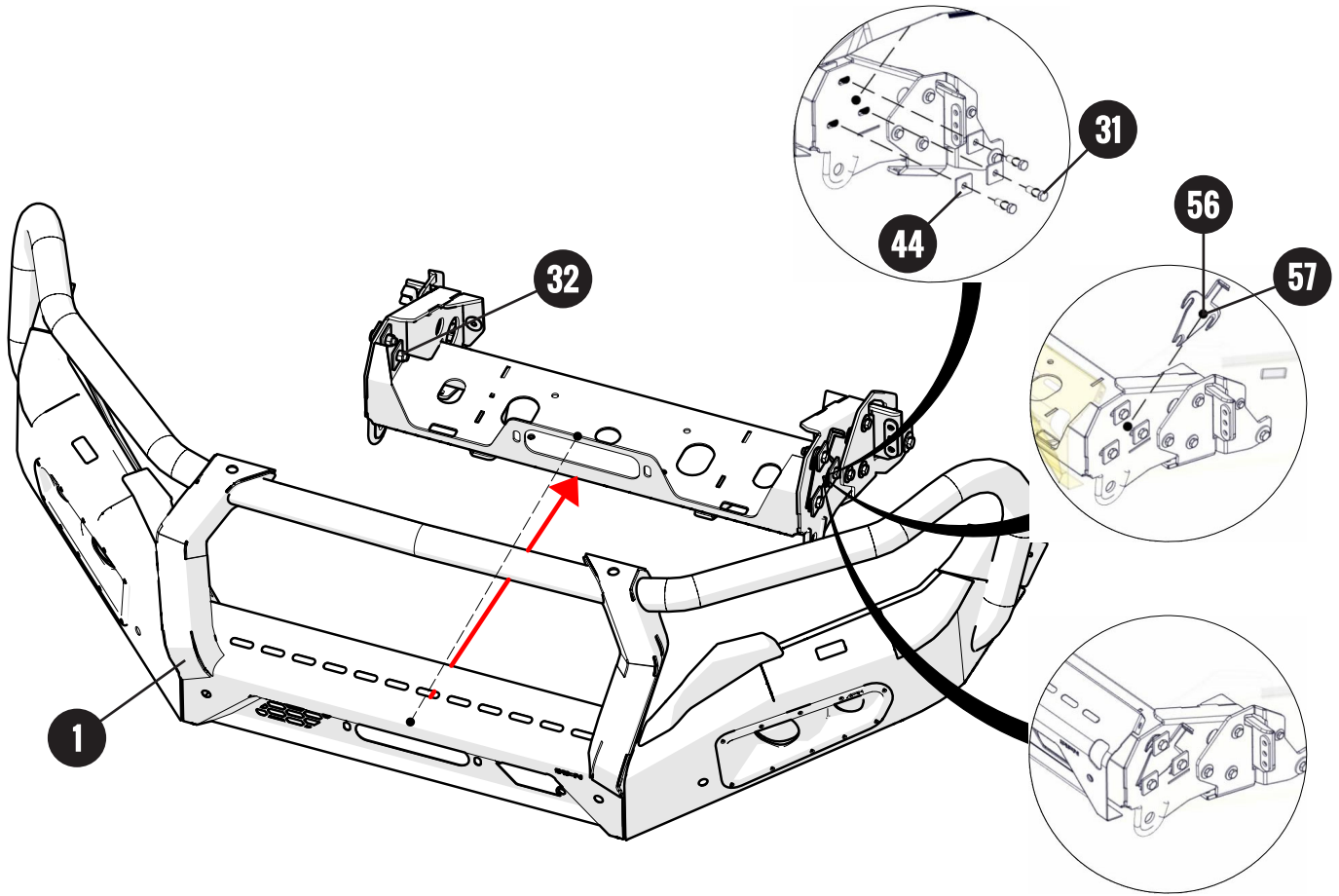
Do Not tighten yet.



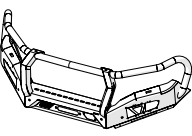
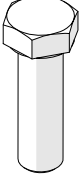
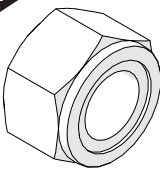
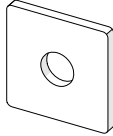
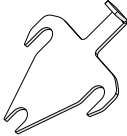

*OEM - Original Equipment Manufacturer

Step 4 - Fitting the AFN Bullbar | Bumper in the Winch Bracket

Preview



Parts needed:

- | | | | | | |
|---|--|--|--|--|--|
| 1
 | 31
 | 32
 | 44
 | 56
 | 57
 |
| x1 Bullbar Prado 150 | x6 Bolt M12x40 | x6 Nylock Nut M12 | x12 Square Washer M12 | x2 Winch Bracket Shim
Side - 4mm thickness | x2 Winch Bracket Shim
Side - 2mm thickness |

Step 4 - Fitting the AFN Bullbar | Bumper in the Winch Bracket

Installation

With help of another person or a crane, lift the **AFN Bullbar | Bumper(1)** and place it over the **Winch Bracket(2)**, as showed in the image above.

Mind that this is a precision task, please take time to correctly assemble this step.

Use 3x Bolts M12x40(31), with 6x Square Washers M12(44), one on each side of the **Winch Bracket(2)** and with 3x Nylock Nuts M12(32).

Repeat this step on the other side.
Just finger tight both bolts

Do Not tighten yet.

ATTENTION!

Use the supplied Side Winch Bracket Shims 4mm thickness(56) and 2mm thickness(57) to adjust the best way the **AFN Bullbar | Bumper(1)** to the body and chassis.

Use them only if you have to, they are optional and may not be needed (if needed, they can be used on both sides).

Just finger tight both bolts

Do Not tighten yet.

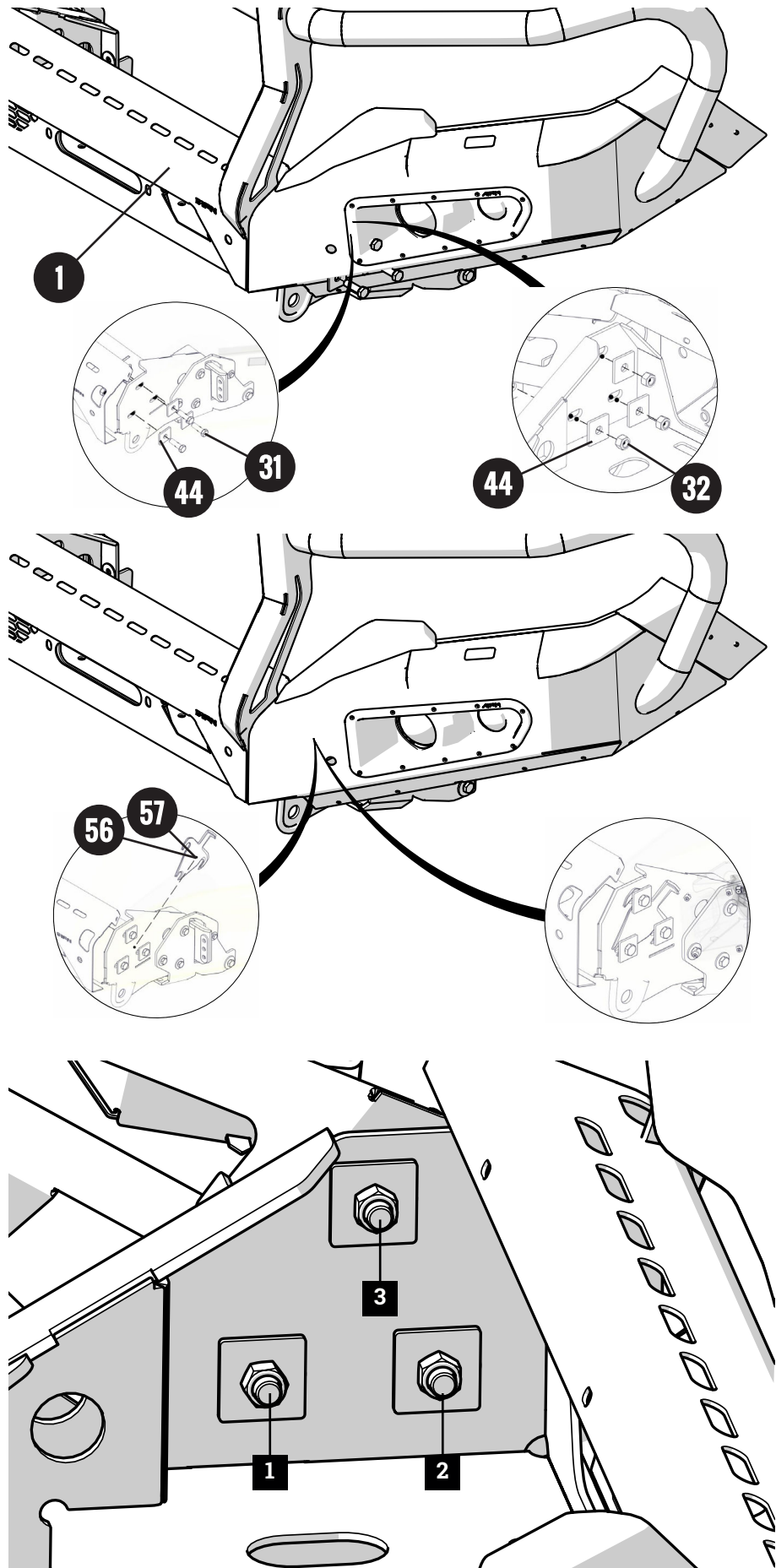
When the **AFN Bullbar | Bumper(1)** is in place, start by tightening all the **Winch Bracket's(2)** bolts following the order according to the previous step.

Adjust the **AFN Bullbar | Bumper(1)** until you have almost **no gap** between vehicle body and the bumper on both sides.

Check to make sure the **AFN Bullbar | Bumper(1)** is levelled.

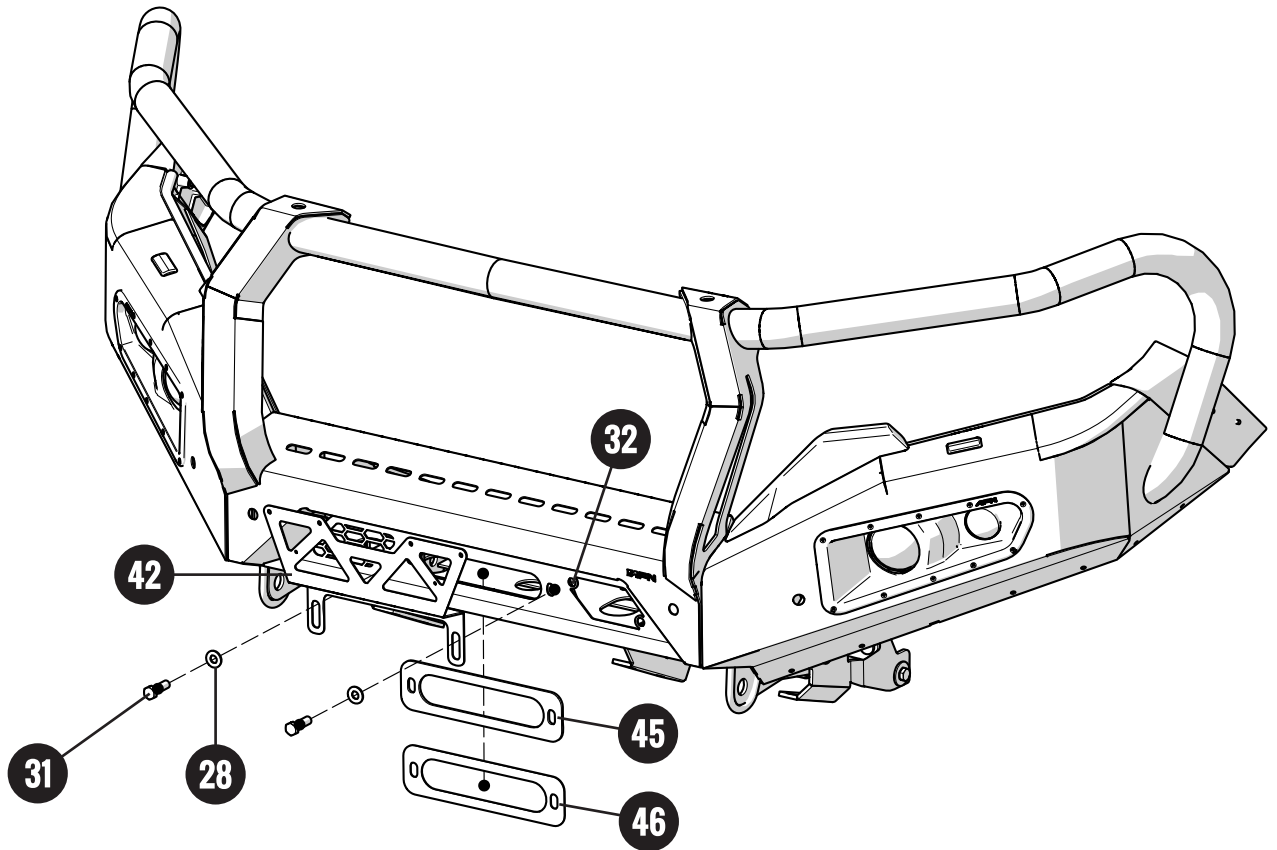
These bolts are the last ones to give the final torque, following this order.

Give the final torque.

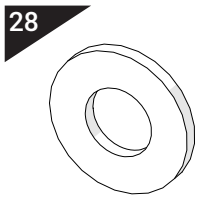


Step 5 - Fitting the Plate Bracket and Winch (if used)

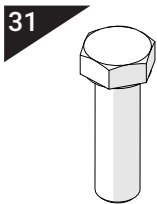
Preview



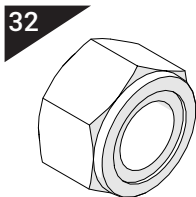
Parts needed:



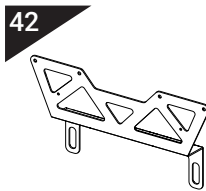
x4 Washer M12



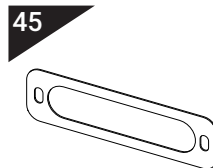
x2 Bolt M12x40



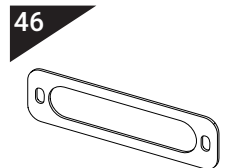
x2 Nylock Nut M12



x1 Plate Bracket



x1 Winch Bracket Shim
Front - 2mm thickness



x1 Winch Bracket Shim
Front - 4mm thickness

Step 5 - Fitting the Plate Bracket and Winch (if used)

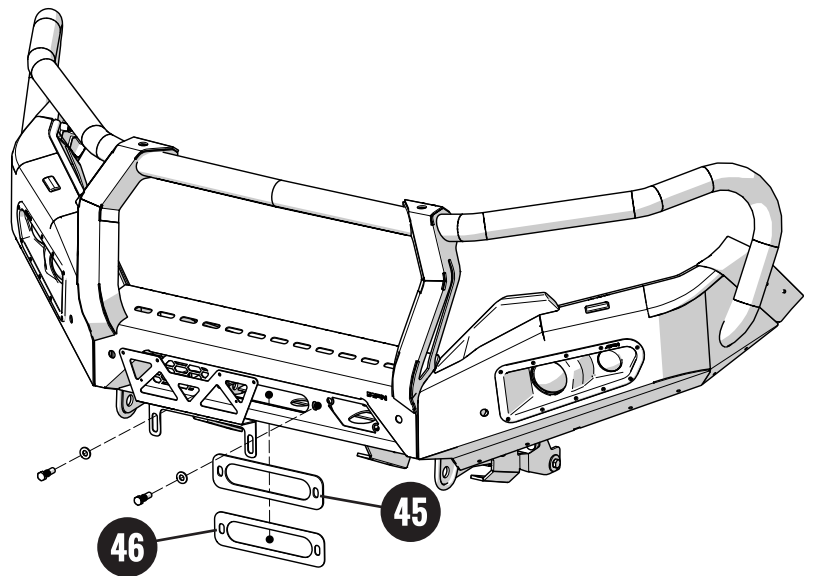
Installation

Fit **Plate Bracket(42)** on the **AFN Bullbar | Bumper(1)**.

We do recommend using the supplied shims if the **AFN Bullbar | Bumper(1)** is not aligned with the body. The shims must be fitted between the **AFN Bull Bar | Bumper(1)** and the **Winch Bracket**.

The Front Winch Bracket Shims 2mm thickness(45) and 4mm thickness(46).

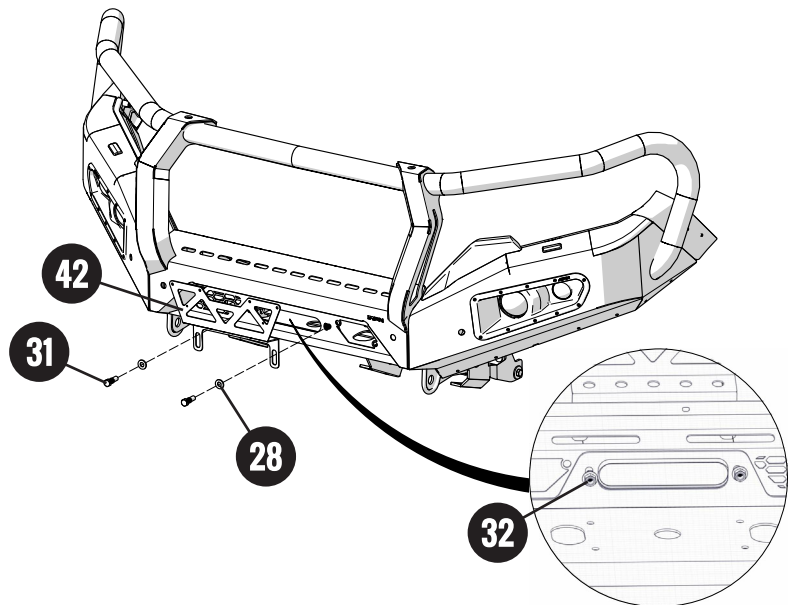
Use it only if you have to, they are optional and may not be needed.



Fit **Plate Bracket(42)** on the **AFN Bullbar | Bumper(1)**.

Use 2x Bolts M12x40(31), with 4x Washer M12(28), two on each side of the **AFN Bullbar | Bumper(1)** and with 2x Nylock Nuts M12(32).

Give the final torque.

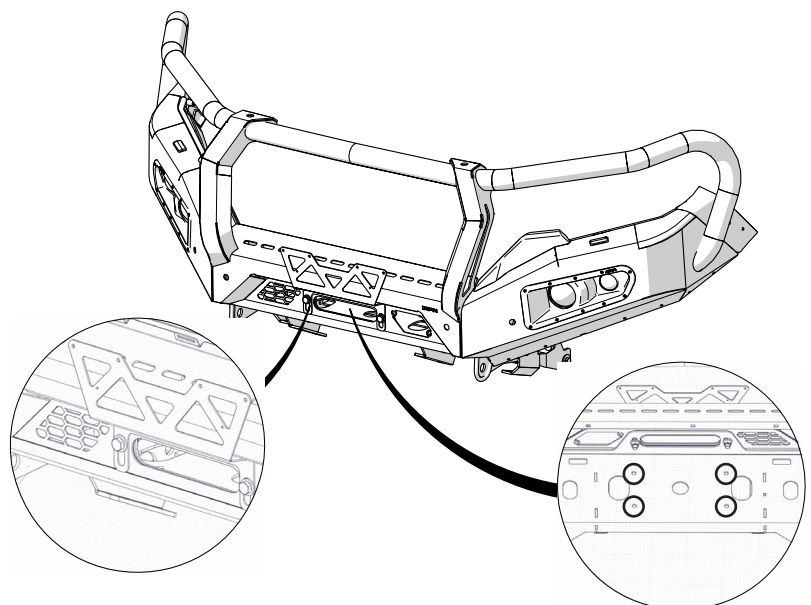


ATTENTION!

If you have a **WINCH** to be mounted, please check the its instructional manual and fitted above the highlighted points.

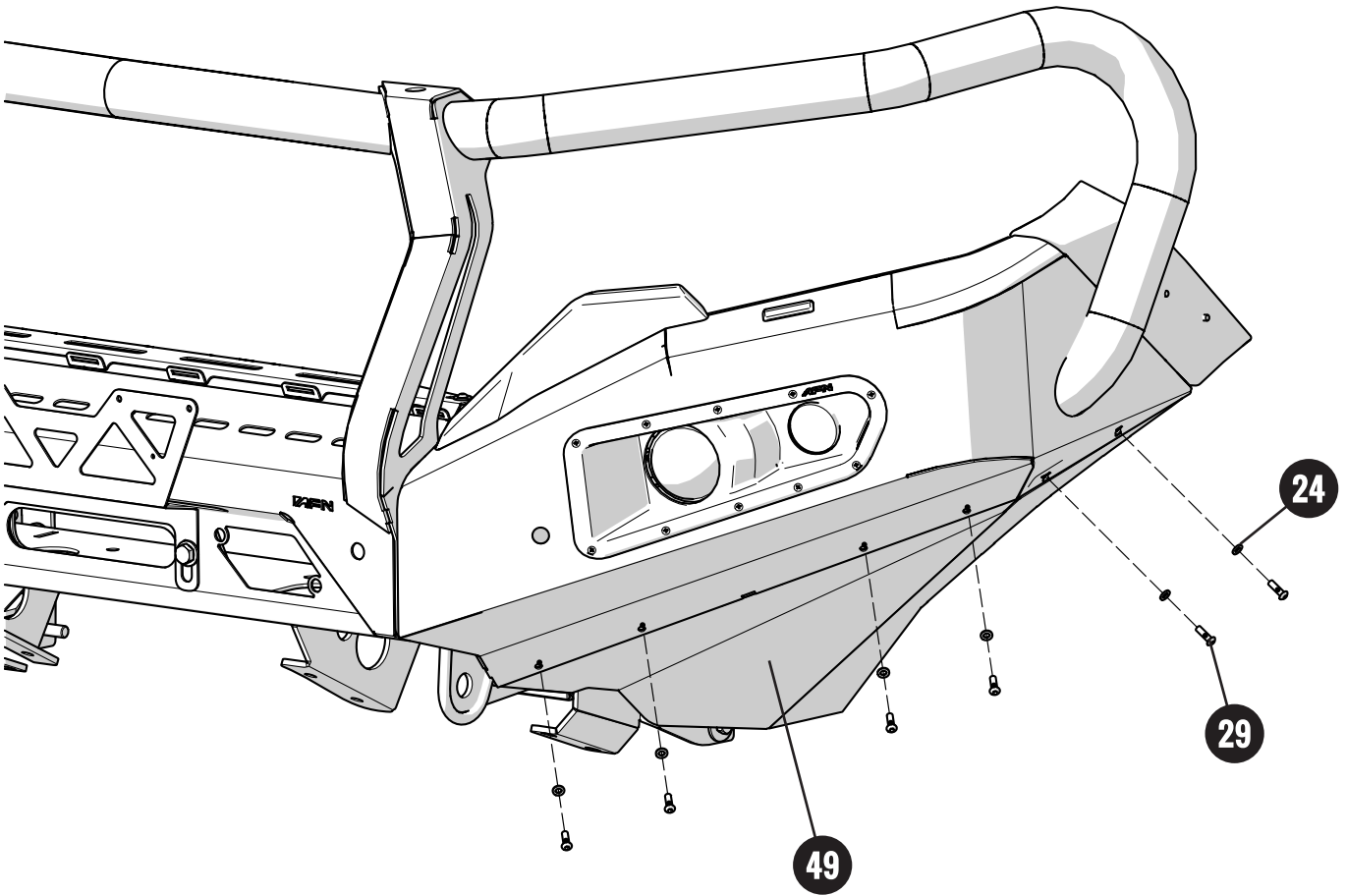
Please be in mind that the Roller Fairlead of the winch must be fitted above the **Plate Bracket(42)**.

Give the final torque.

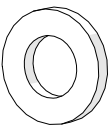
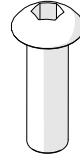
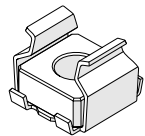
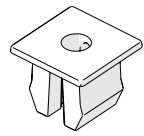

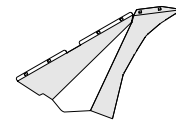
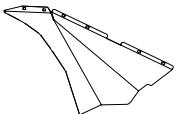


Step 6 - Fitting the Flaps

Preview



Parts needed:

- | | | | | | |
|---|--|--|---|--|---|
| <p>24</p>  <p>x12 Washer M6</p> | <p>29</p>  <p>x12 Bolt M6x20</p> | <p>30</p>  <p>x12 Cage Nut M12</p> | <p>33</p>  <p>x12 Plastic Nut</p> | <p>35</p>  <p>x12 Bolt M3,5x16</p> | <p>49</p>  <p>x1 Right Flap</p> |
| <p>50</p>  <p>x1 Left Flap</p> | | | | | |

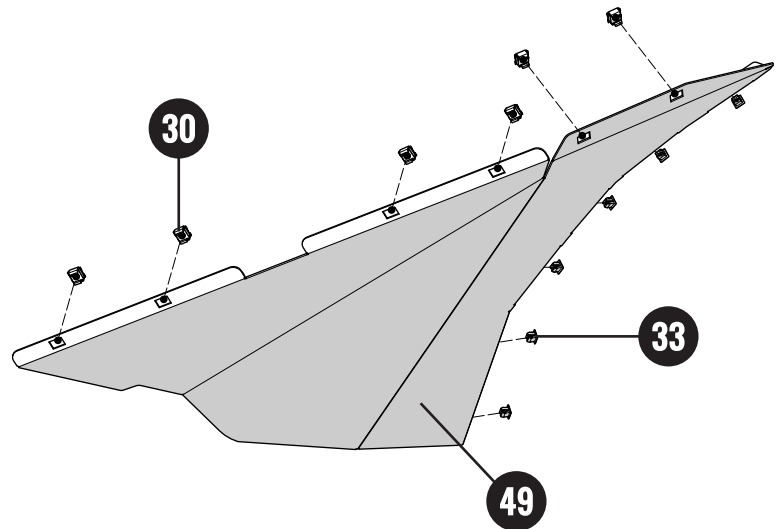
Step 6 - Fitting the Flaps

Installation

Fit **Right Flap(49)** on the **AFN Bullbar | Bumper(1)**.

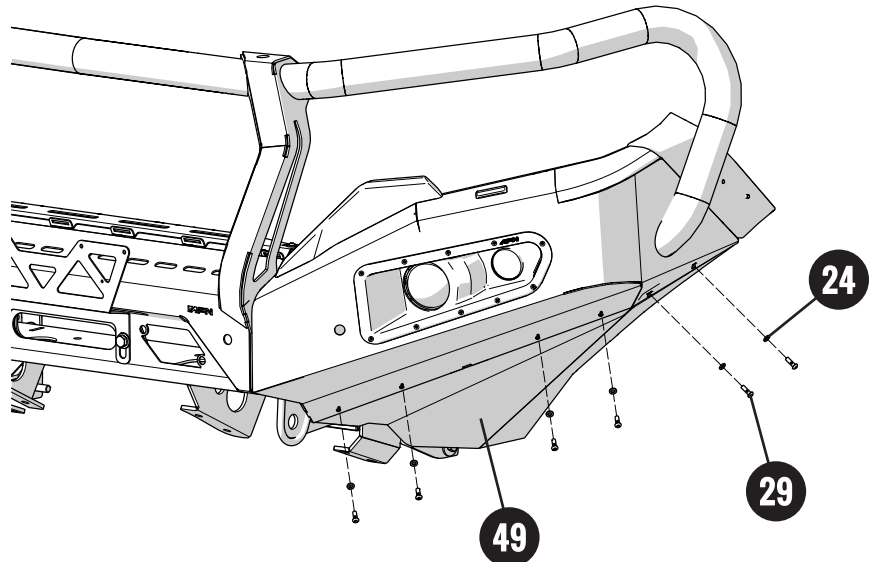
But first, we advise to fit 6x Cage Nuts M6(**30**) on top and 6x Plastic Nuts(**33**) on the bottom.

Tip:
You may use a rubber mallet to easily fit the 6x Plastic Nuts(**33**).



Once all the Nuts are fitted on the **Right Flap(49)** use 6x Bolts M6x20(**29**) with 6x M6(**24**), to fit the top of the **Right Flap(49)** on the **AFN Bullbar | Bumper(1)**.

Give the final torque.



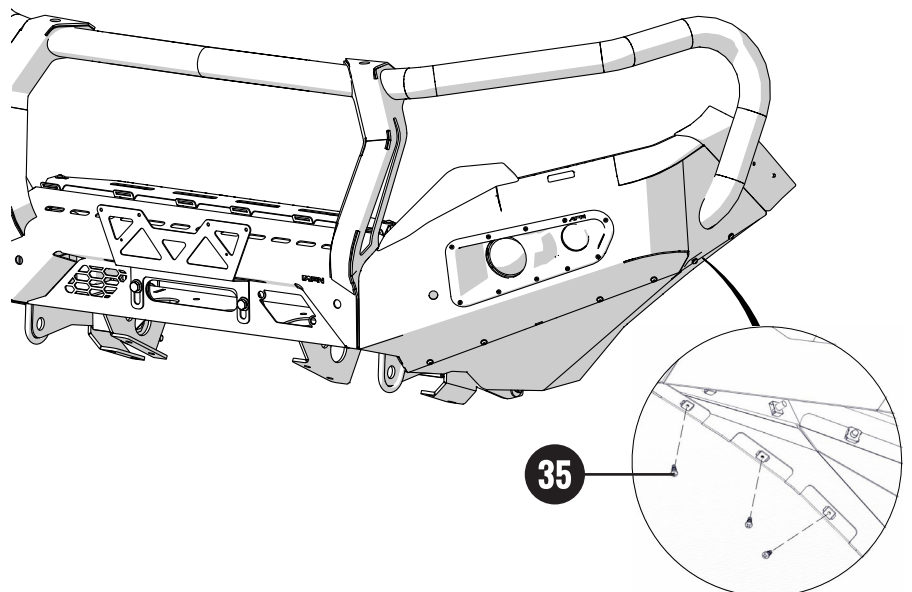
Push the **Right Flap(49)** to the **OEM*** plastic fenders and mark the cut line, then cut **OEM*** plastic fender.

Mark a hole on the inner side of wheel fender.

Drill a **2mm** diameter hole and fix the flaps through these holes using 6x Bolt M3,5(**35**), as showed.

Give the final torque.

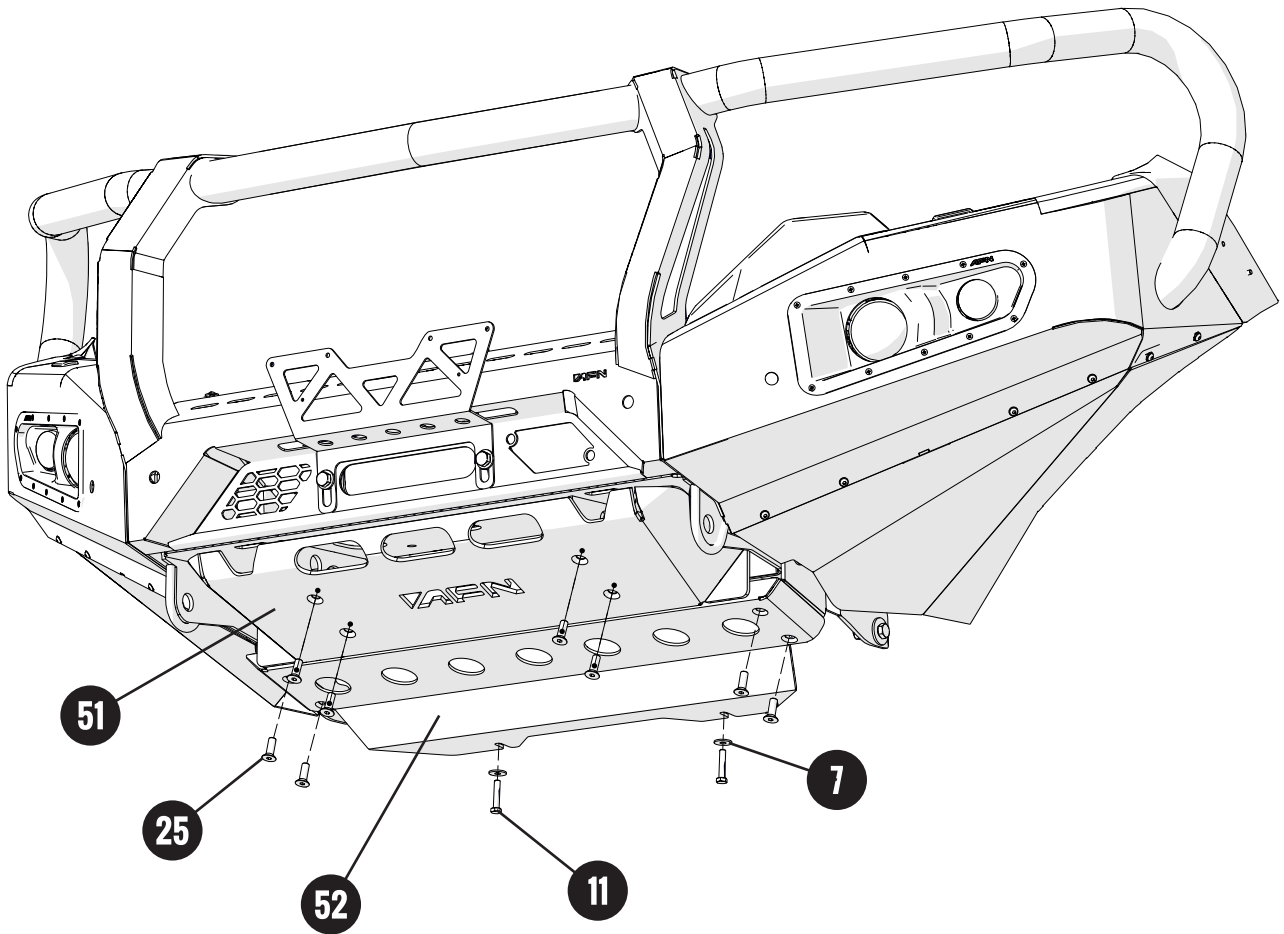
Repeat all these steps on the other side for the **Right Flap(50)**.



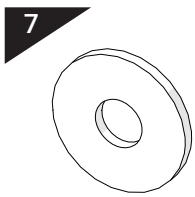
*OEM - Original Equipment Manufacturer

Step 7 - Fitting the Front Underbody's Armor

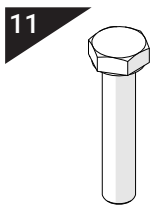
Preview



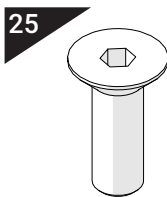
Parts needed:



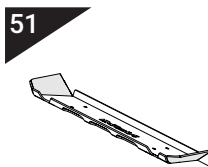
x2 Washer M8



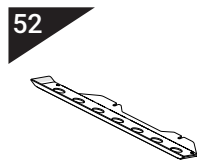
x2 Bolt M8x40



x8 Bolt M10x30



x1 Front Skid Plate Protection



x1 Lower Skid Plate Protection

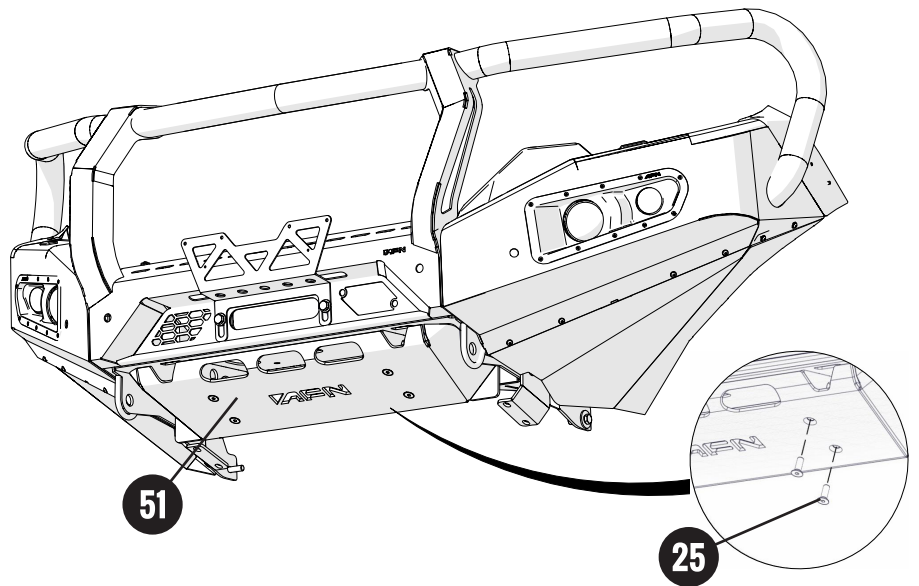
Step 7 - Fitting the Front Underbody's Armor

Installation

Fit **Front Skid Plate(51)** on the **Winch Bracket(2)**.

Use 4x Bolts M10x30(**25**), two on each side, as showed in the image.

Just finger tight both bolts
Do Not tighten yet.

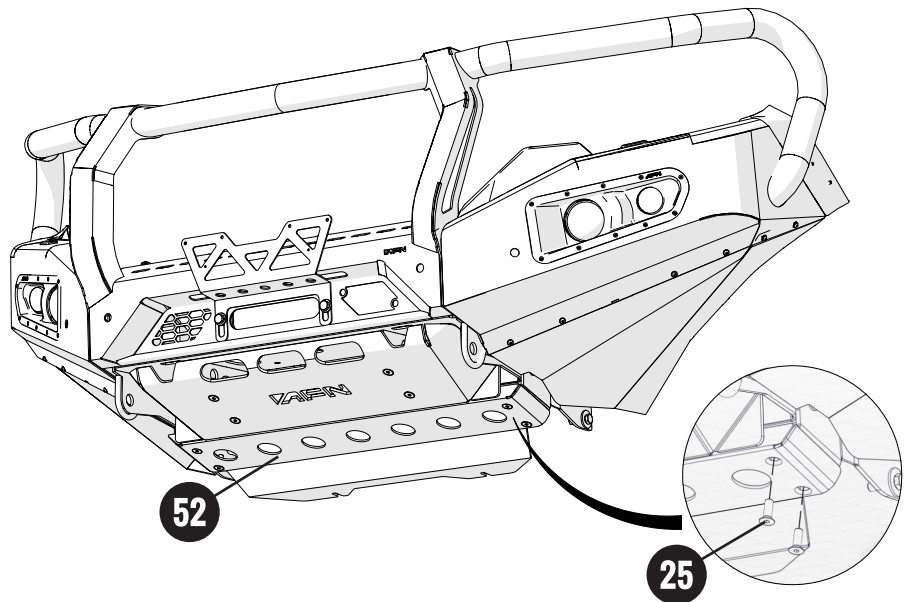


Once the **Front Skid Plate(51)** is fitted, fit the **Lower Skid Plate(52)** on both, **Left Winch Reinforcement(48)** and **Right Winch Reinforcement(49)**.

Use 4x Bolts M10x30(**25**), two on each side, as showed in the image.

Just finger tight both bolts

Give the final torque

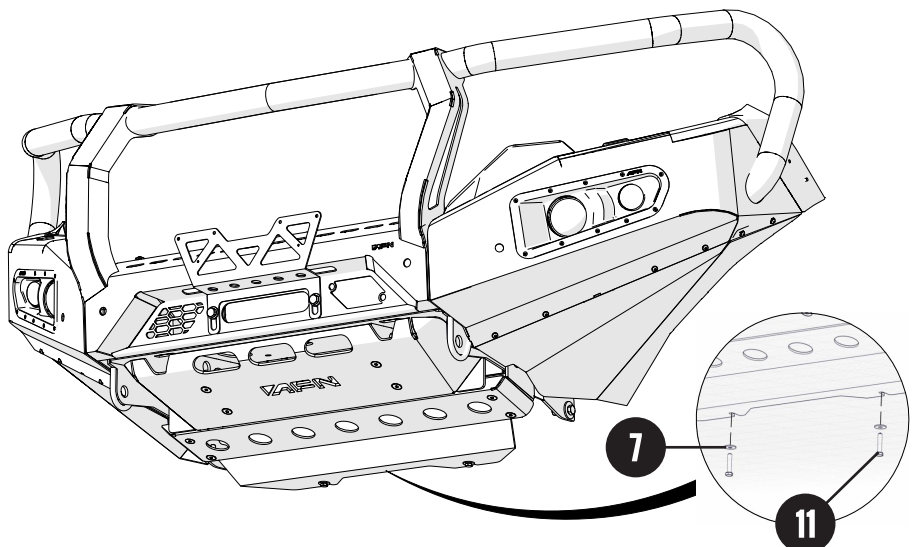


Then, fit the back of **Lower Skid Plate(52)** on vehicle chassis.

Use 2x Bolts M8x40(**11**) with 2x Washers M8(**7**), as showed.

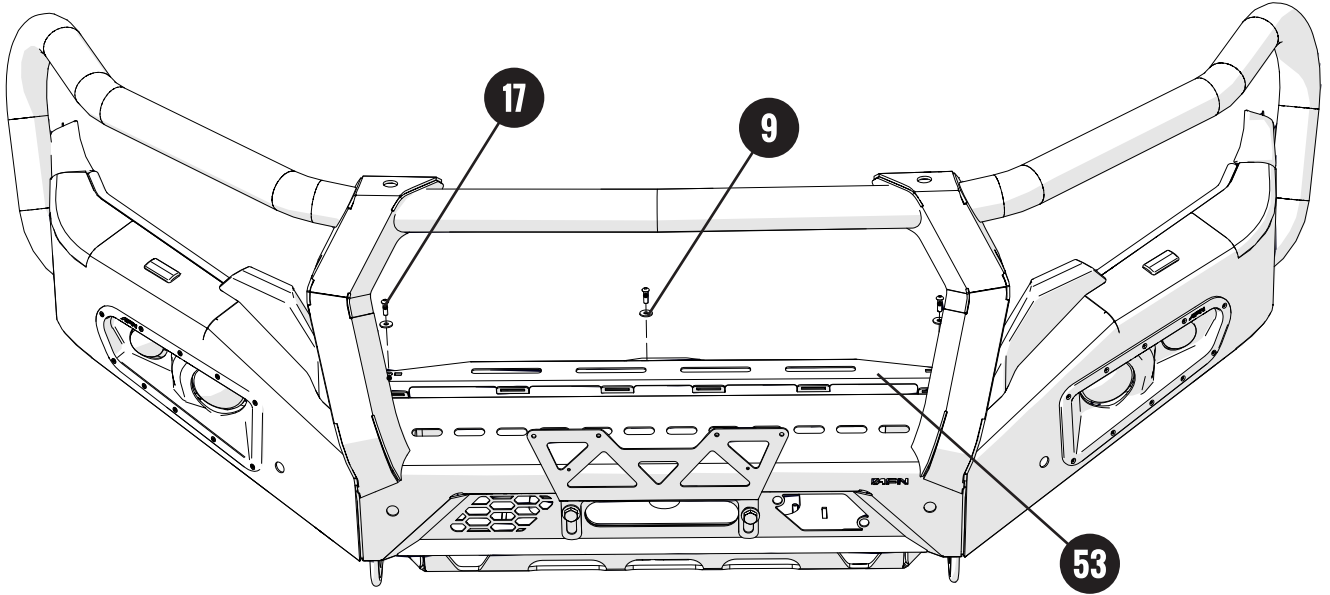
Check if both protections are correctly fitted, according your preferences and

Give the final torque.



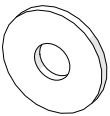
Step 8 - Fitting the OEM GRILL

Preview



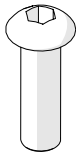
Parts needed:

9



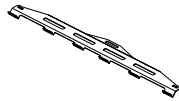
x3 Washer M6

17



x3 Bolt M6x20

53



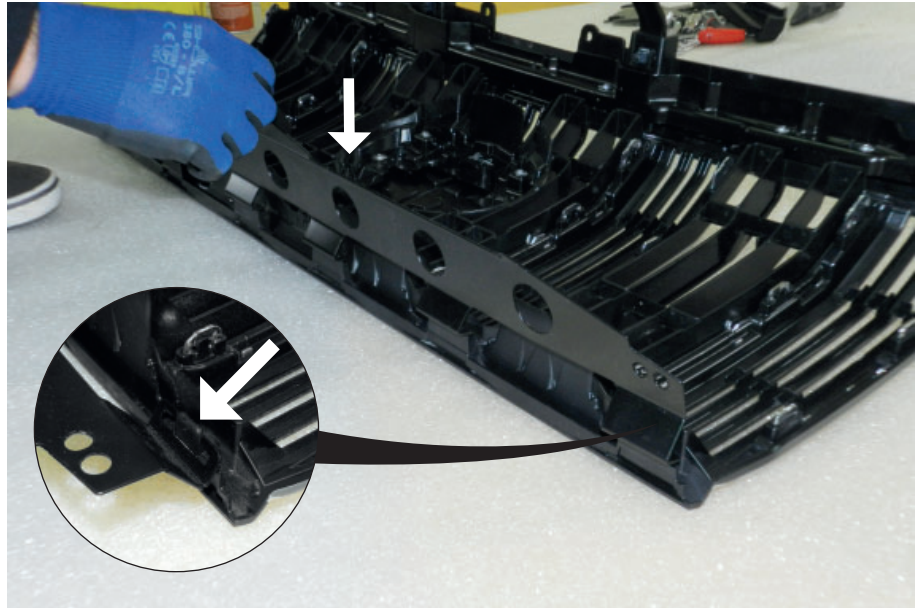
x1 Grill Bracket

Step 8 - Fitting the OEM GRILL

Installation

Take on **Grill Bracket(53)** and fit it on the OEM* grill, through the fasteners (see image).

It enters from above and then gently rotate the **Grill Bracket**, until it passes through all the OEM* grill fasteners.



Fit the OEM* grill on the **AFN Bullbar | Bumper(1)**.

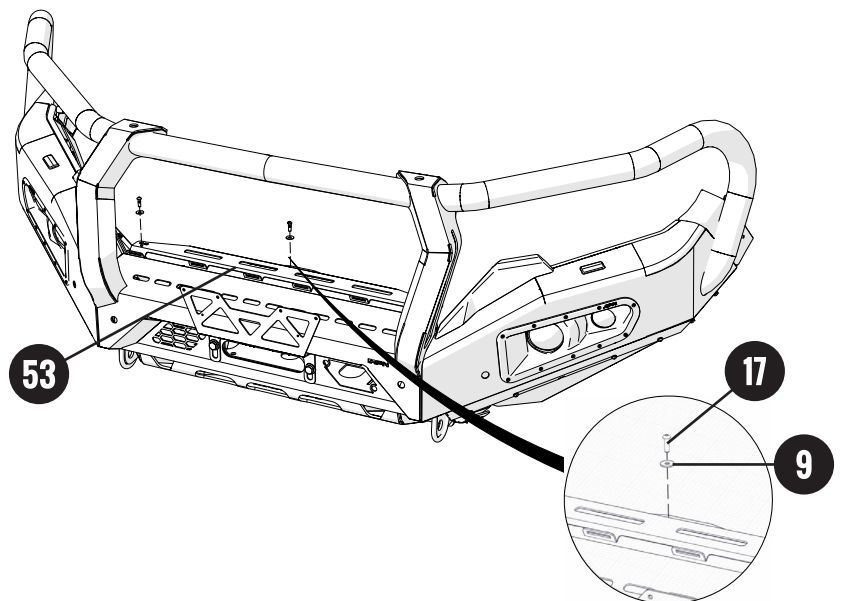
The grill must enter from above and gently rotate until it passes through.

Be careful so you don't break the fasteners of the grill.



Once the OEM* grill is in place, fit it to the **chassis** using 3x Bolts M3x20(17) with 3x Washers M6(9).

Give the final torque.



Step 8 - Fitting the OEM GRILL

Preview



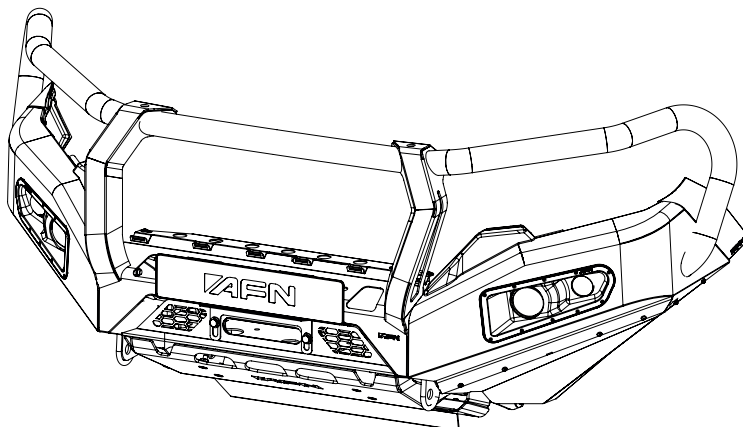
Your new **AFN BULLBAR | FRONT BUMPER** is now installed on your **Toyota PRADO 150!**
Have Fun!

Reminder !

- Before operating a vehicle fitted with an AFN Bullbar | Front Bumper:
- Make sure all fittings are tightened
 - Check winch operation (if installed)
 - Check all electrical wiring attached to lights and parking sensors (if installed)

Maintenance | Care

Periodically check and tighten all nuts. Stripped, fractured or bent bolts or nuts need to be replaced.





3 PRADO 150 CATALOGUE

AFN 4x4 Accessories is becoming a well known brand for its products due to its quality, design and safety which are challenged for thousands of people everyday, worldwide.

In its diversity of products we can include, with all-terrain quality, protection, safety and aesthetic accessories. With that being said, **AFN 4x4** has some other accessories that every offroad passionate would like to have, such as **Body Protections, Underbody Protections, Light Holders, Storage** (Wheel Supports and Jerry-can carriers) and others related to the **Aesthetics**.

We have some 4x4 accessories that combine with the original model lines that if you take a closer look you will see that they don't appear to be an accessorie, but a must-have.

Please be in mind that some accessories are available only to some models.

Feel free to check all the products that may interest you in our website at: www.afn.pt



Ref.: 48002614 - Front Bumper



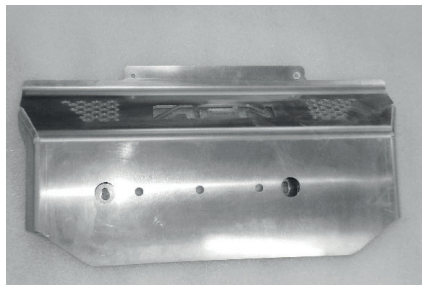
Ref.: 48002477 - Bullbar with fog lights



Ref.: 48002478 - Side Steps



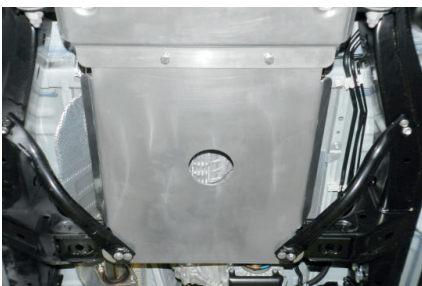
Ref.: 48002479 - Nerf Bars



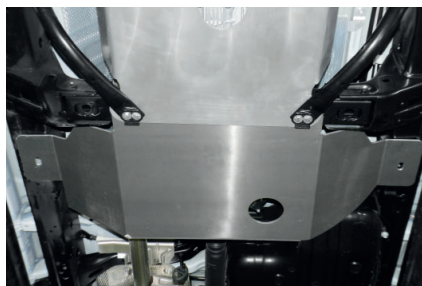
Ref.: 48001451 - Front Skid Plate (*Al)



Ref.: 48001462 - Sump Guard Skid Plate (*Al)



Ref.: 48001917 - Gearbox Skid Plate (*Al)



Ref.: 48001918 - Transferbox Skid Plate (*Al)

4 WARRANTY TERMS

AFN4x4 products are warranted free from defects in materials and workmanship for a period of two (2) years from the date of initial retail purchase. Third-party components are delivered under the original manufacturer warranty.

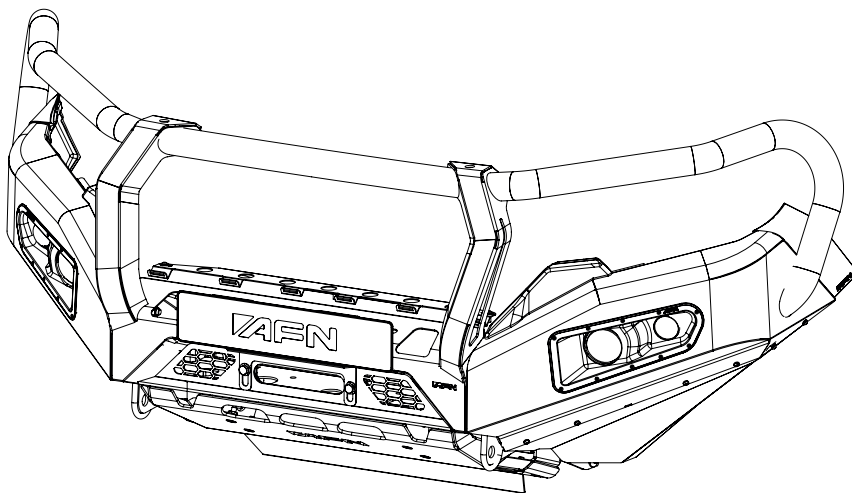
Under the present warranty, **AFN4x4** obligation shall be limited to repairing, replacing or crediting, at its option, any part found to be defective.

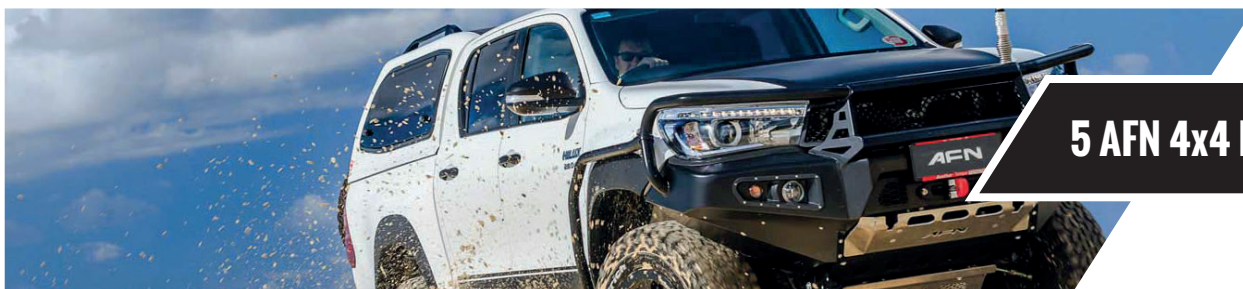
AFN4x4 does not warrant or make any representations concerning its goods when:

- a) The products are purchased used, scratch and dent or when the box was opened.
- b) The products are not installed, used, and maintained strictly in accordance with **AFN4x4**'s instructions.
- c) The products are installed in vehicles that are used in competition.
- d) The products are installed in vehicles fitted with aftermarket non-standard tires with diameters in excess of OEM* specifications.
- e) The products are installed in vehicles with engines that have been modified to increase performance.

AFN4x4 will not be responsible for goods damaged in transit. If any goods arrive damaged, please contact the **AFN4x4** as soon as possible. **AFN4x4** will assess and may arrange to have the damaged goods returned to a **AFN4x4** Distributor and arrange for a replacement of the goods. Damaged goods must be returned in the condition received by you with all original packaging, accessories and/or manuals. If they are not returned in same condition sent there may be an additional fee charged.

To file a claim under this warranty please contact **AFN4x4** at +351 256 808 300 or via email at geral@afn.pt to request a *Returned Goods Authorization (RGA)* number and instructions for returning the defective component.





5 AFN 4x4 PARTNERS



01

Portugal

Rua da Madeira, 113
Z. Industrial das Travessas
3700-176 S. João da Madeira

T:(00351) 256 838 300/7
geral@afn.com
www.afn.com

02

Espanha

Carretera de Moledo 8
pol. ind. de Miraflores, Nave 20
36214, Vigo (Pontevedra)

T:(0034) 986 378338
info@4x4misutonida.com
www.4x4misutonida.com

03

Austrália

19 Flinders Parade
North lakes
QLD 4509

T:(0061) 1300 236 494
sales@afn4x4.com.au
www.afn4x4.com.au

04

Costa Rica

Fort overlanding CR,
Alajuela

T:(0011) 506 8430 0211
info@fortoverlanding.com
www.fortoverlanding.com

DON'T JUST SETTLE FOR THE SAME OLD BULL



WWW.AFN.PT | SALES@AFN.PT | FACEBOOK.COM/AFN4X4

WELCOME TO THE AFN FAMILY



PROGRAMA OPERACIONAL REGIONAL DO NORTE



União Europeia

Fundo Europeu de
Desenvolvimento Regional

