

CRAFTED LIKE NO OTHER

DON'T JUST SETTLE
FOR THE SAME
OLD BULL

OWNER MANUAL

SUZUKI
JIMNY 2019+

AFN[®]
4 X 4 ACCESSORIES



WELCOME TO THE AFN FAMILY

This manual contains the **Suzuki Jimny +2019** fitting instructions for:
Bullbar Ref.: 48002514 **Front Bumper Ref.:48002524**

1 INTRODUCTION



The Company

Founded in 1995, AFN - 4x4 Accessories dedicates itself to the production and commerce of all-terrain accessories. Its constant concern in its customers total satisfaction, and in the ideals of innovation and transformation have granted a position of notability both in the national and international panorama.

The only company in Portugal in the mass production of 4x4 accessories, relies on specialized and experienced technicians, with the most adequate knowledge, to an efficient response capability to its customers demands.

Thanks to the specialization in the several areas of design and manufacture and to a constant investment in technology, AFN has been broadening its wide range of products, without ever neglecting the quality factor.

4x4 Accessories

In its diversity of products we can include, with all-terrain quality, protection, safety and aesthetic accessories.

And it is here that AFN invest on the best technology, the best cut precision of the raw material, and the transformation of products with the quality recognized in the marketplace.

AFN has, at its disposal, resources to test and analyse the resistance of its products and stands in the front row regarding the European homologation of materials dedicated to all terrain.

The contact with the most important test laboratories for vehicles, both in England, Spain and Germany, provides AFN with the know-how to manufacture a wide range of quality products.

Our Design Approach

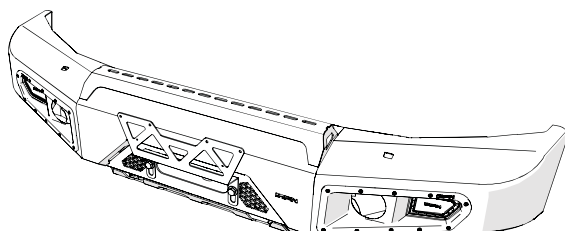
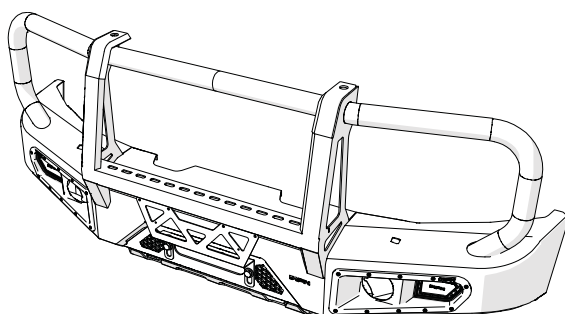
AFN designs each accessory taking into consideration the original model lines and fitting points. We refuse to have a "one design fits all" solution and we are always looking forward to embrace new challenges on how to adjust a new product into a new model!

The days of just throwing on a bit of steel together to form a protection system are gone. AFN is leading the way modern vehicle protection components are manufactured. Other will follow, and it won't be long where the AFN approach to Styling, Fit, Form and Function will become the benchmark for all other manufacturers.





INDEX



AFN 4x4 Accessories

Product: **Bullbar**

Part Ref.: **48002514**

Product: **Front Bumper**

Part Ref.: **48002524**

Introduction 2

1 Checklist 4

Product 48002514

Product 48002524

2 Fitting Instructions 7

3 PRADO 150 Catalogue 15

4 Warranty Terms 16

5 AFN 4x4 Partners 17

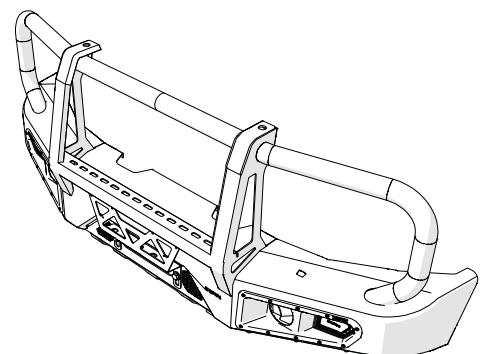


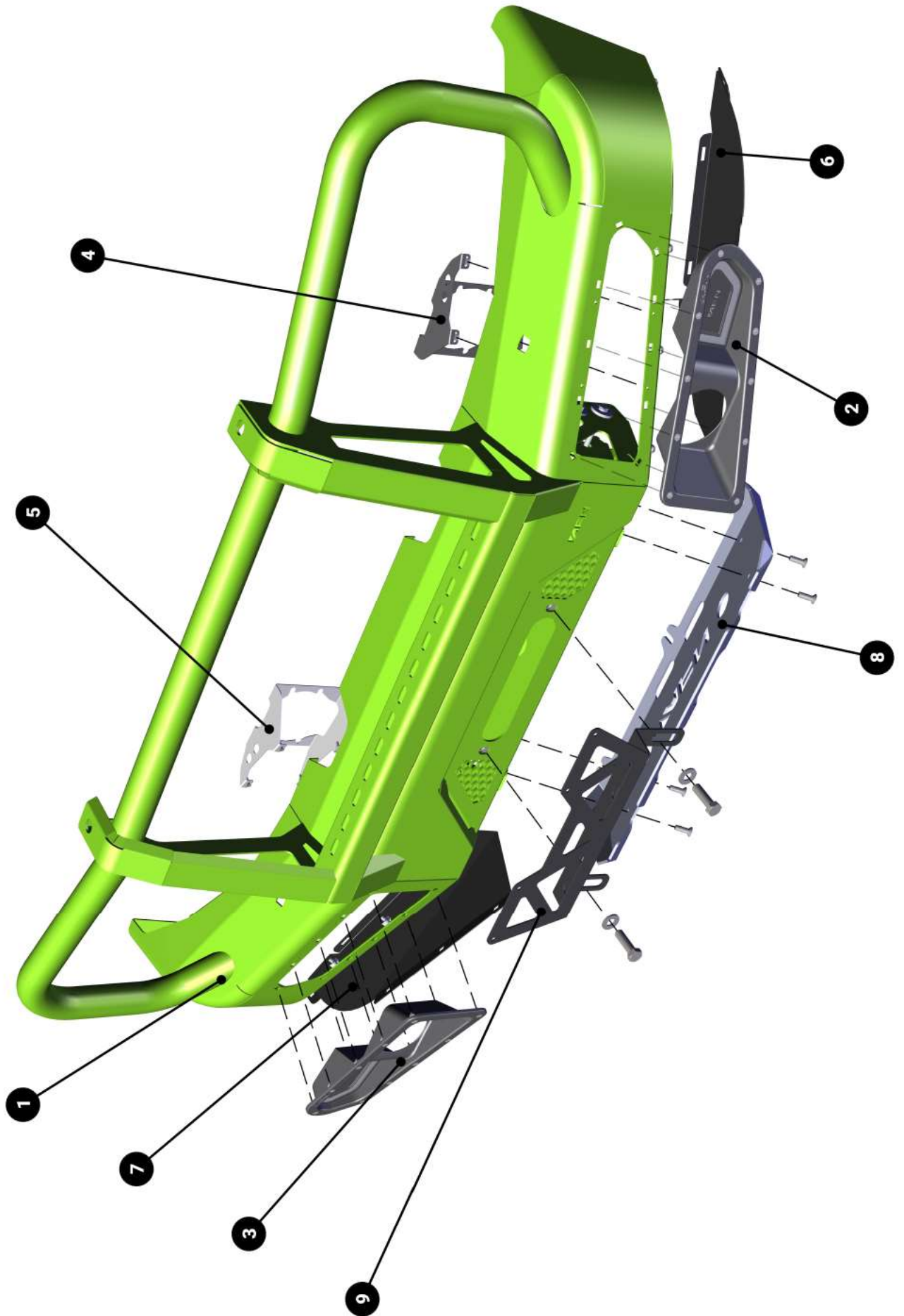
1 CHECKLIST

- In this section you have a checklist with all parts included for the installation of your AFN product
- This product should be installed as demonstrated in the product fitting instructions
- If verified that any component is damaged, please contact your nearest AFN distributor
- The specified parts will only fit in the models specified by AFN
- Do not modify any component of the product

This checklist is both for product **48002514** and **48002524**.

NUMBER	DESCRIPTION	REFERENCE	QTY	NUMBER	DESCRIPTION	REFERENCE	QTY
1	Bullbar Suzuki Jimny 2019	47002023	1x	1	Front Bumper Suzuki Jimny 2019	47002028	1x
2	AFN Led Lights - Mask (Left Side)	48002544	1x				
3	AFN Led Lights - Mask (Right Side)	48002545	1x				
4	Aluminium Bracket Jimny Fog Light (Left Side)	48002585	1x				
5	Aluminium Bracket Jimny Fog Light (Right Side)	48002586	1x				
6	Left Flap	46007710	1x				
7	Right Flap	46007711	1x				
8	Front Skid Plate	46007712	1x				
9	Plate Bracket	46005518	1x				
10	Bolt M10x30	45000007	2x				
11	Washer M10	45000010	10x				
12	Nylock Nut M10	45000017	4x				
13	Nylock Nut M8	45000018	2x				
14	Washer M8	45000028	4x				
15	Bolt M6x15	45000113	7x				
16	Bolt M8x80	45000179	2x				
17	Bolt M10x80	45000194	2x				
18	Washer M6	45000500	7x				
19	Washer M6 (small)	45000931	8x				
20	Bolt M8x25	45000954	4x				
21	Washer M12	45000995	4x				
22	Bolt M6x20	45000998	8x				
23	Cage Nut M6	45001012	8x				
24	Bolt M12x40	45001029	2x				
25	Nylock Nut M12	45001033	2x				
26	Plastic Nut	45001113	6x				
27	Bolt M3,5x16	45001123	6x				





2 FITTING INSTRUCTIONS

WARNING:

Before you begin installation, read all instructions thoroughly.
Proper tools will improve the quality of installation and reduce the time required.

- This product should be installed as demonstrated in the *Product «Fitting Instructions»*;
- The specified parts, will only fit the models specified by **AFN**;
- Do not modify any component of the product;
- It is recommended that this product is installed by specialized and trained personnel;
- AFN doesn't take responsibility for changes made in the vehicle by its manufacturer;
- Work safely and use specialized tools at all times;
- **Always use protective gear.**

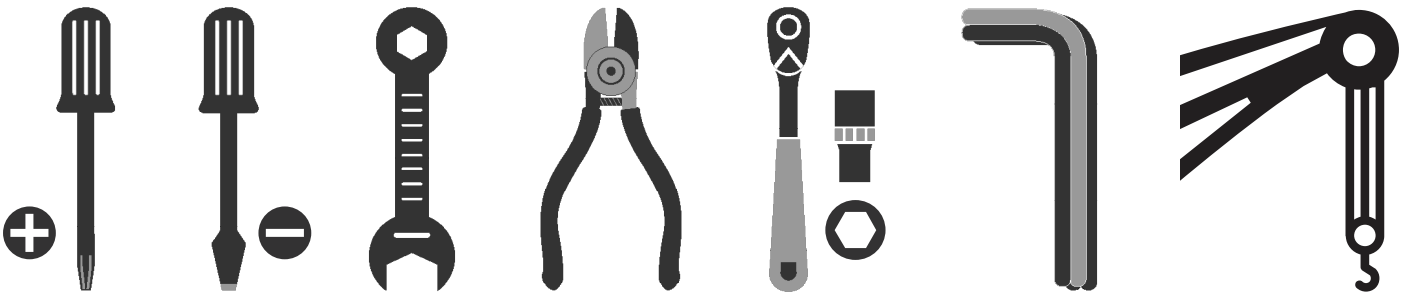


Size	Torque Nm	Torque lbft
M6	9 Nm	7 lbft
M8	22 Nm	16 lbft
M10	44 Nm	32 lbft
M12	77 Nm	57 lbft

Mouting Time

- 2 hours
- 2 persons (recommended)

Tools Required



- Screwdriver star head
- Screwdriver flat head
- Wrench
- Wire cutter
- Ratchet wrench
- Allen wrench
- Crane

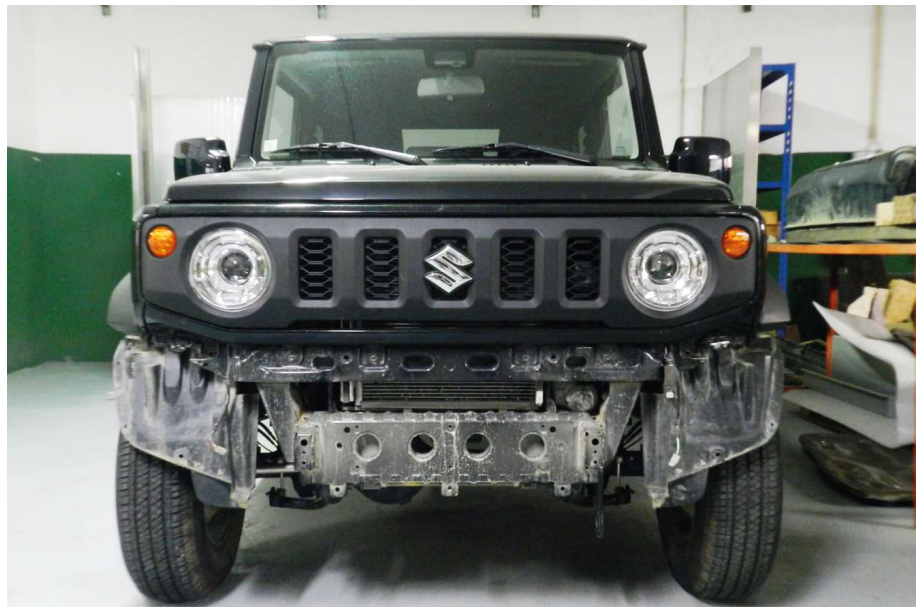
Step 1 - Remove the OEM* Bumper

Remove the *OEM** bumper just as specified by the vehicle manufacturer in your maintenance manual. (*Be aware that you must save the OEM bolts and nuts.*)



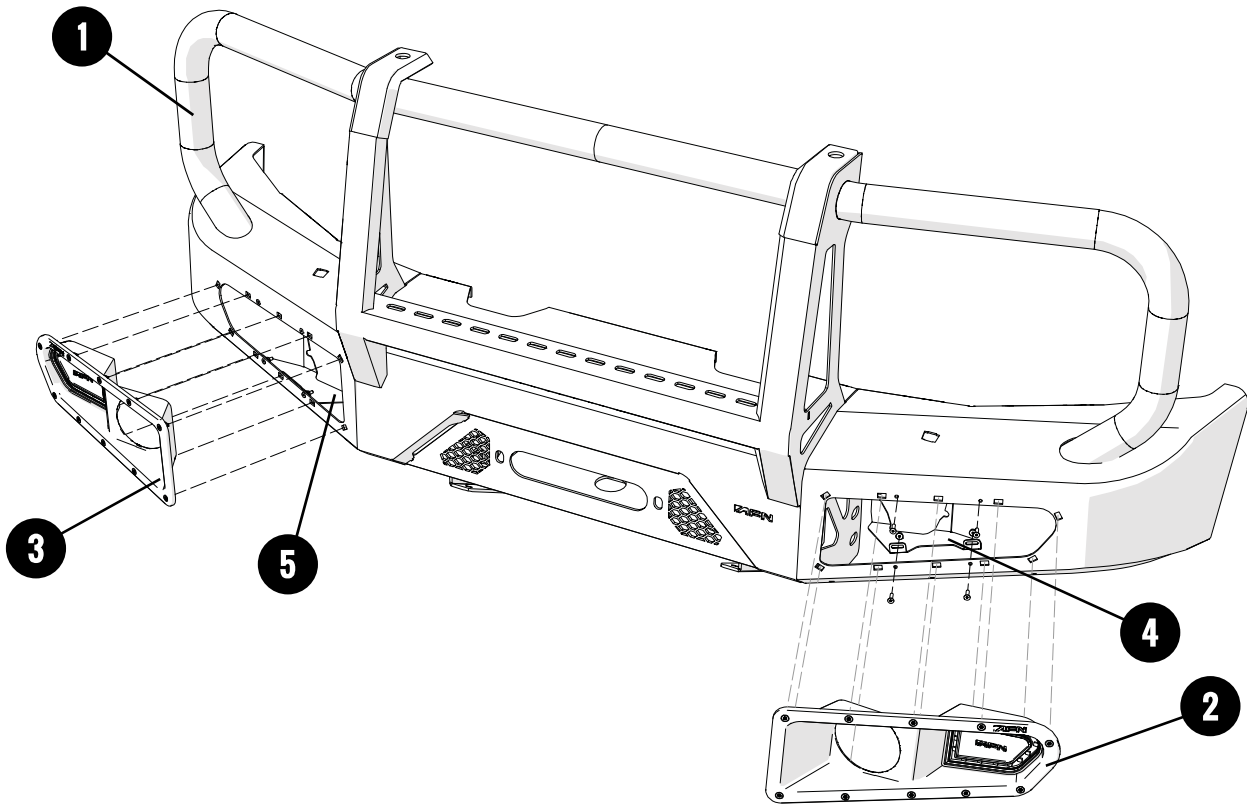
Also remove the grill of the vehicle and be careful so you don't break the fasteners of the grill.

If you done it correctly this is what it should look like.

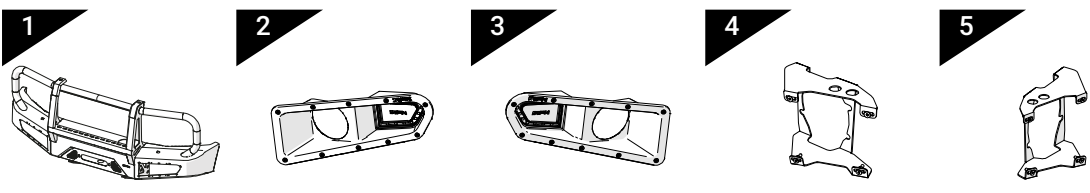


Step 2 - Preparation of the AFN Bullbar | Bumper

Preview



Parts needed:



- x1** Bullbar Jimmy
- x1** AFN Led Lights - Mask Left Side
- x1** AFN Led Lights - Mask Right Side
- x1** Aluminium Bracket Jimmy Left Side
- x1** Aluminium Bracket Jimmy Right Side

Step 2 - Preparation of the AFN Bullbar | Bumper**Installation****ATTENTION!**

The following step *only applies if the AFN LED Lights are not mounted, or if by any case there is a need to dismount it. Proceed to next Step.*

Before inserting the **AFN Bullbar | Front Bumper(1)** on the vehicle there are some details that we advise to do first (so, place it on a flat working surface).

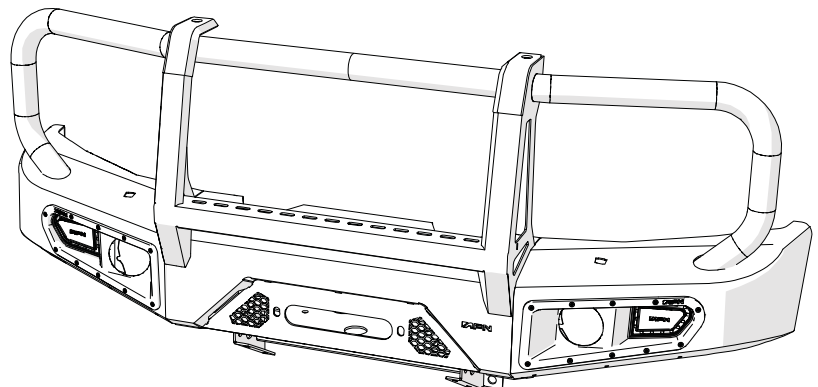
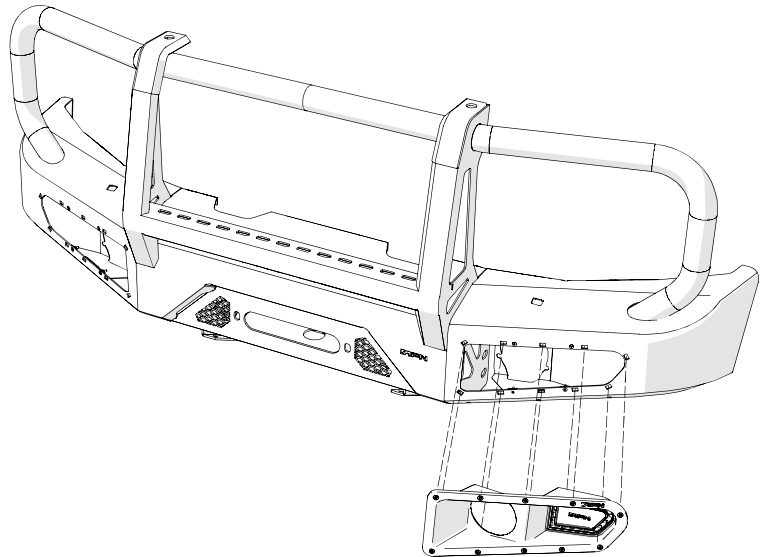
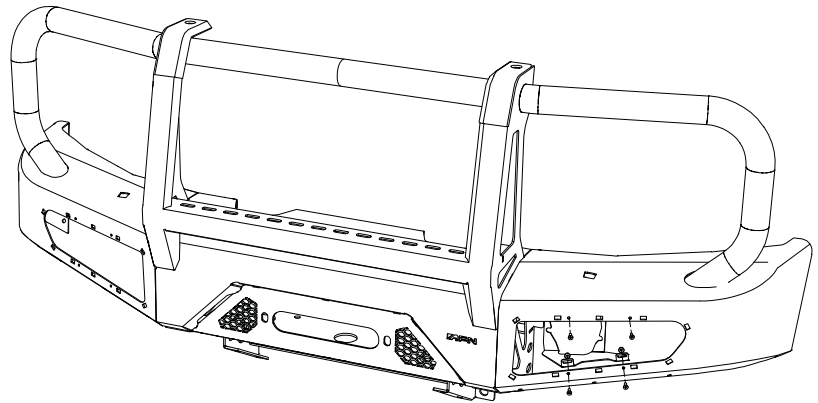
Take on the Left Aluminium Bracket **(4)** for OEM* Fog Light and fit it into the **AFN Bullbar | Front Bumper(1)** using 4x Bolts M5x16 (*They go with AFN LED Light kit*).

Then Left AFN Led Lights Mask**(2)** and fit it into the **AFN Bullbar | Front Bumper(1)** using 10x Bolts M4x16 (*They go with AFN LED Light kit*).

Please be in mind that there is no need to overtight these bolts, because the rubber masks will be crushed causing an unpleasant look.

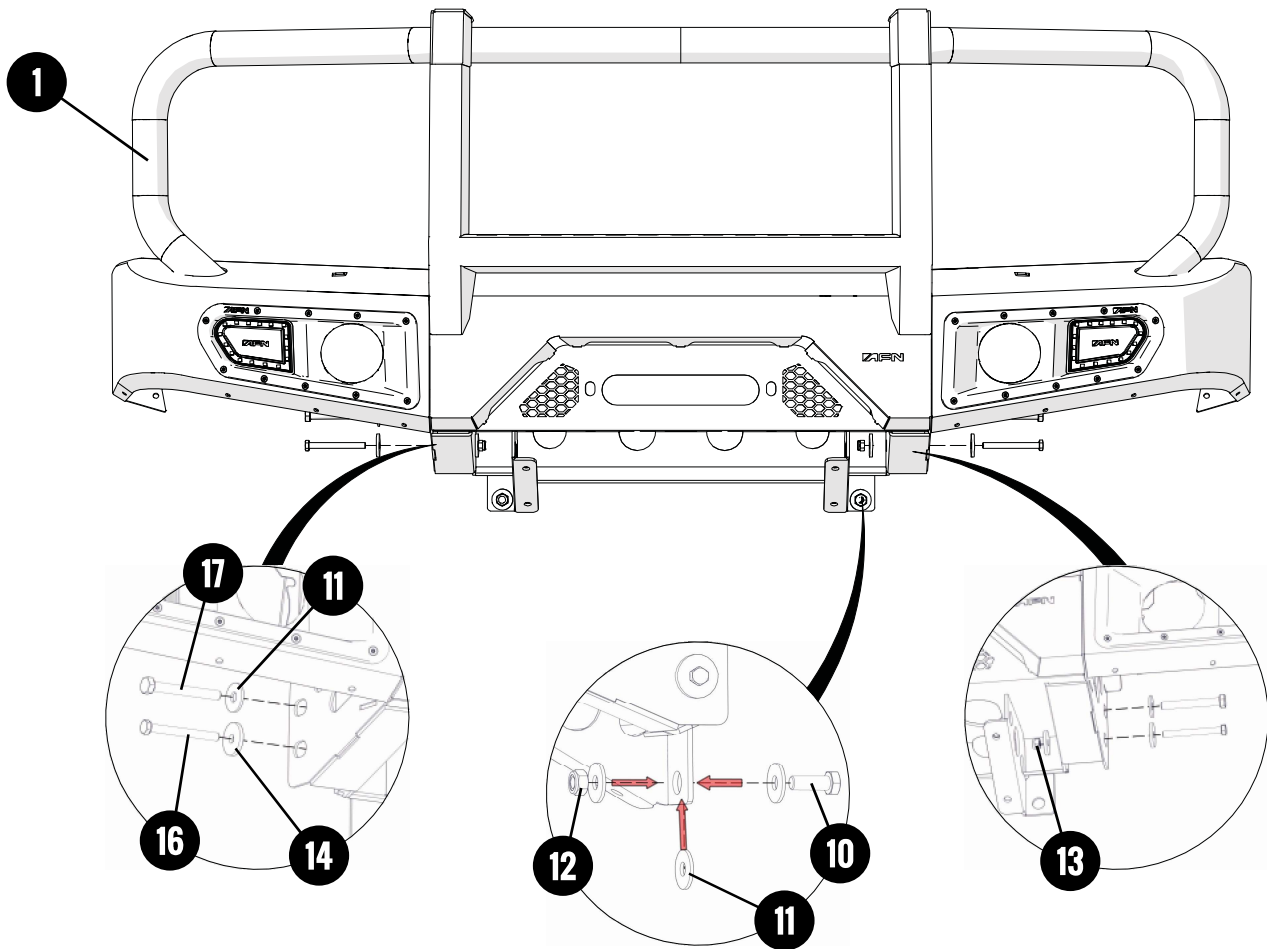
Repeat this step for the other side with Right AFN Led Lights Mask**(3)** and Right Aluminium Bracket**(5)** for OEM* Fog Light using 10x Bolts M4x16(*They go with AFN LED Light kit*).

If you done it correctly it should look like the image on the right.

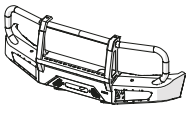
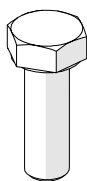
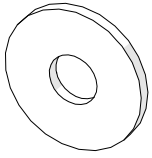
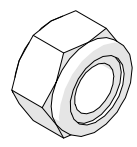
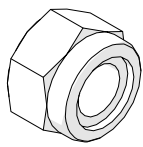
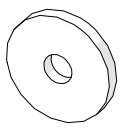
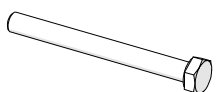
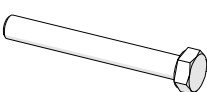
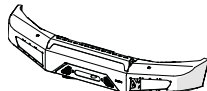


Step 3 - Fitting the AFN Bullbar in the Chassis

Preview



Parts needed:

- | | | | | | |
|--|--|--|---|--|--|
| <p>1</p>  <p>x1 Bullbar Suzuki JIMNY</p> | <p>10</p>  <p>x2 Bolt M10x30</p> | <p>11</p>  <p>x10 Washer M10</p> | <p>12</p>  <p>x4 Nylock Nut M10</p> | <p>13</p>  <p>x2 Nylock Nut M8</p> | <p>14</p>  <p>x4 Washer M8</p> |
| <p>16</p>  <p>x2 Bolt M8x80</p> | <p>17</p>  <p>x2 Bolt M10x80</p> |  | | | |

Step 3 - Fitting the AFN Bullbar in the Chassis**Installation**

With help of another person or a crane, lift the **AFN Bullbar | Bumper(1)** and fit it onto the **Chassis**.

On top, use 1x Bolt M10x80(**17**) with 2x Washers M10(**11**), one on each side, and 1x Nylock Nut M10(**12**).

On bot, use 1x Bolt M8x80(**16**) with 2x Washers M8(**14**), one on each side, and 1x Nylock Nut M8(**13**).

Repeat this step on the other side of the **AFN Bullbar | Bumper(1)**.

Just finger tight both bolts

Do Not tighten yet.

Once the **AFN Bullbar | Bumper(1)** is secured, there are still two additional fixing points for the **AFN Bullbar | Bumper(1)**.

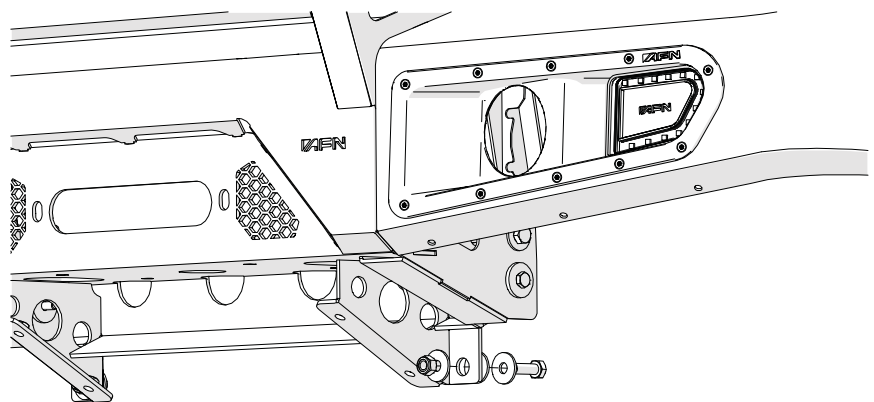
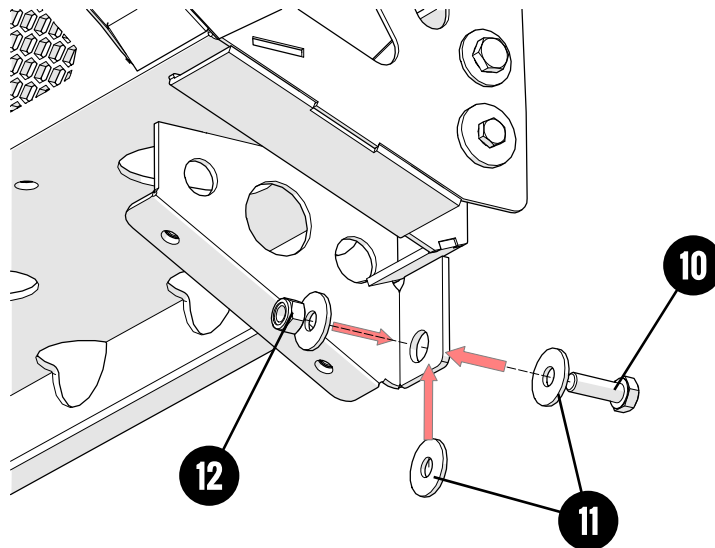
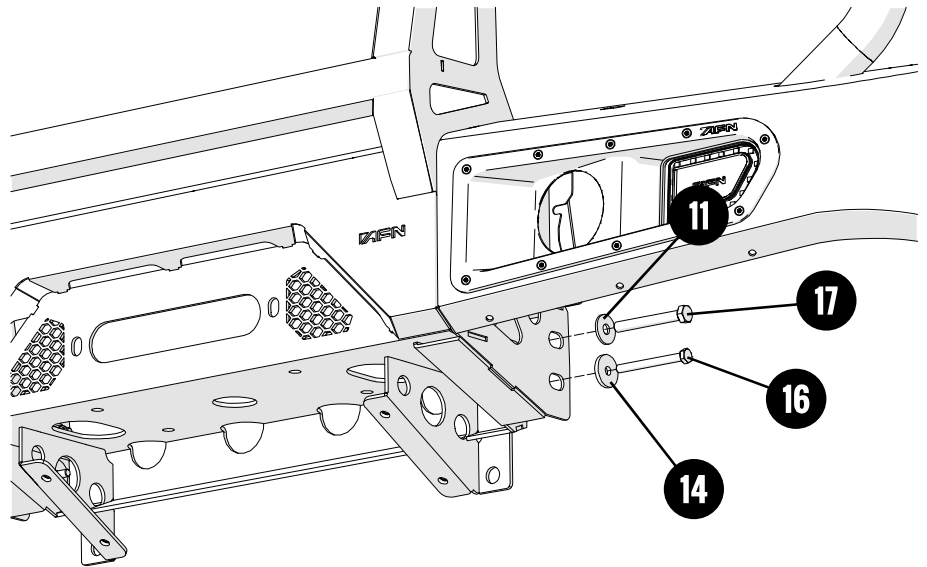
Below, use 1x Bolt M10x30(**10**) with 3x Washers M10(**11**) and 1x Nylock Nuts M10(**12**).

Please, be in mind that the middle **Washer** will serve as a shim, in order for the **AFN Bullbar | Bumper(1)** stay correctly align with chassis.

Repeat this step on the other side of the **AFN Bullbar | Bumper(1)**.

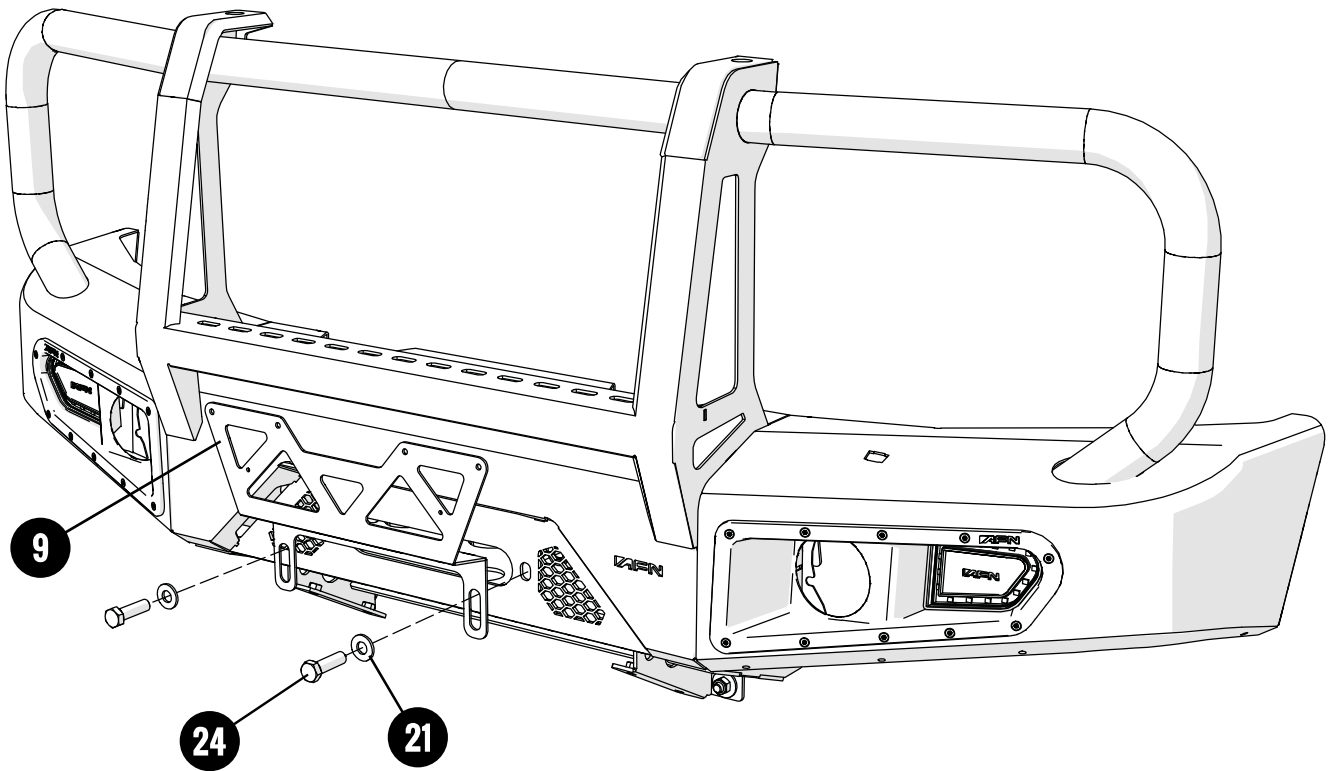
Just finger tight both bolts

Do Not tighten yet.

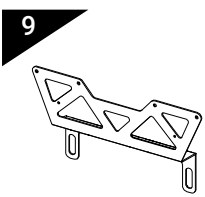


Step 4 - Fitting the Plate Bracket and Winch (if used)

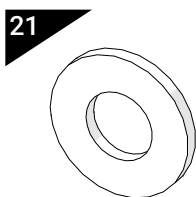
Preview



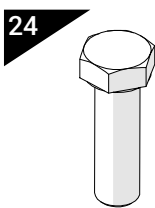
Parts needed:



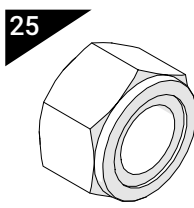
x1 Plate Bracket



x4 Washer M12



x2 Bolt M12x40



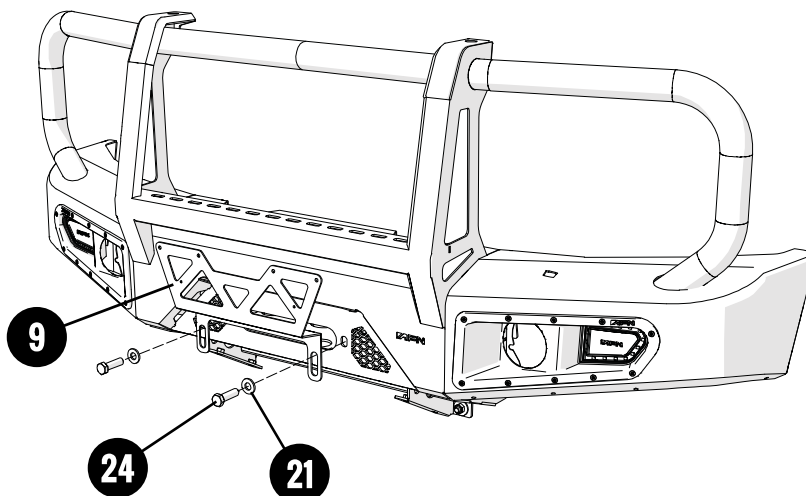
x2 Nylock Nut M12

Step 4 - Fitting the Plate Bracket and Winch (if used)**Installation**

Fit **Plate Bracket(9)** on the **AFN Bullbar | Bumper(1)**.

Use 2x Bolts M12x40(**24**), with 4x Washer M12(**21**), two on each side of the **AFN Bullbar | Bumper(1)** and with 2x Nylock Nuts M12(**25**).

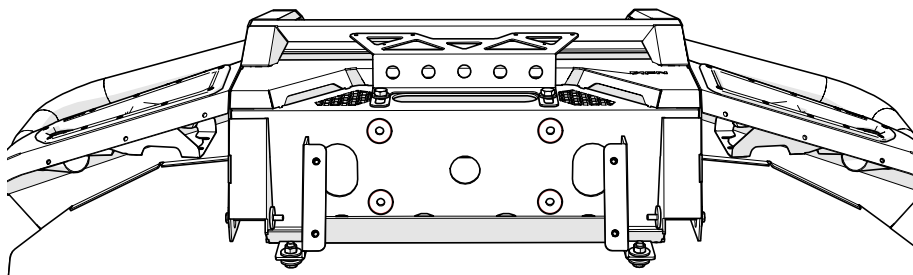
Give the final torque.

**ATTENTION!**

If you have a **WINCH** to be mounted, please check its instructional manual fit it above the highlighted points.

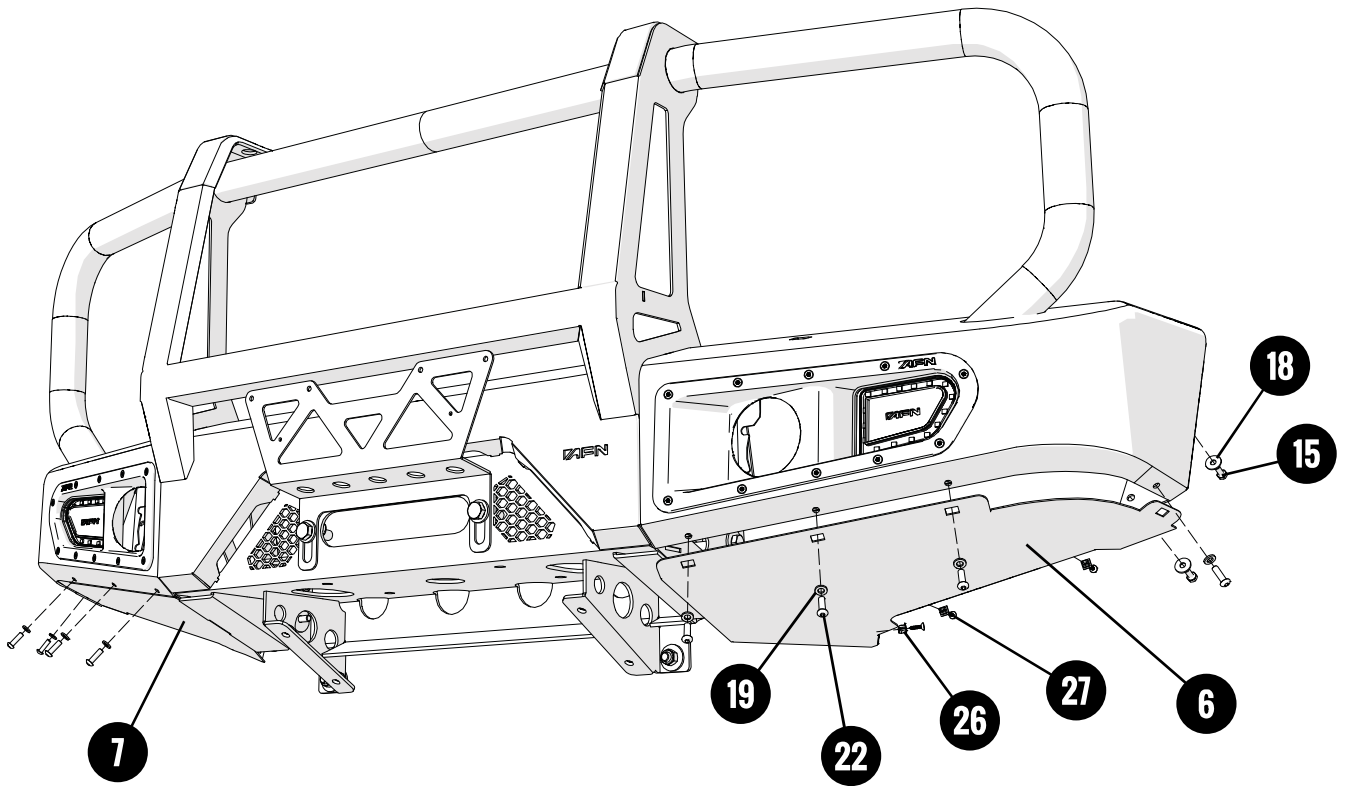
Please be in mind that the Roller Fairlead of the winch must be fitted above the **Plate Bracket(9)**.

Give the final torque.



Step 5 - Fitting the Flaps

Preview



Parts needed:

6



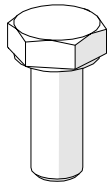
x1 Left Flap

7



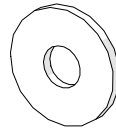
x1 Right Flap

15



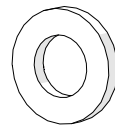
x4 Bolt M6x15

18



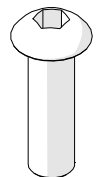
x4 Washer M6

19



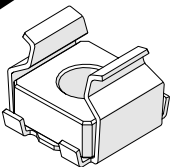
x8 Washer M6

22



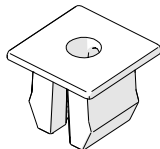
x8 Bolt M6x20

23



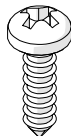
x8 Cage Nut M6

26



x6 Plastic Nut

27



x6 Bolt M3,5x16

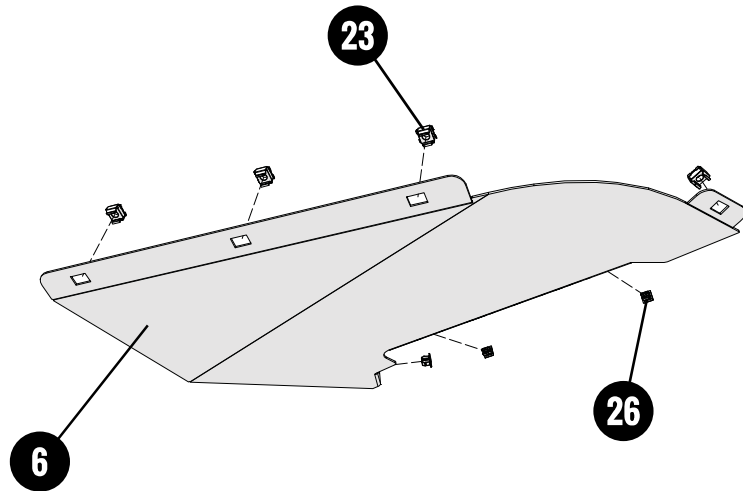
Step 5 - Fitting the Flaps**Installation**

Fit **Left Flap(6)** on the **AFN Bullbar | Bumper(1)**.

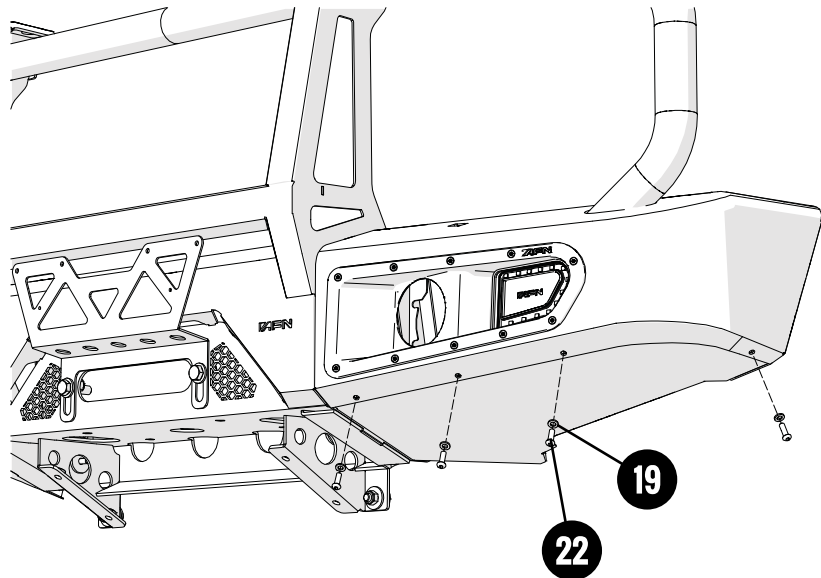
But first, we advise to fit 4x Cage Nuts M6(**23**) on top and 3x Plastic Nuts(**26**) on the bottom.

Tip:

You may use a rubber mallet to easily fit the 3x Plastic Nuts(**26**).



Once all the Nuts are fitted on the **Left Flap(6)** use 4x Bolts M6x20(**22**) with 4x Washers M6(**19**) to fit the top of the **Left Flap(6)** on the **AFN Bullbar | Bumper(1)**.

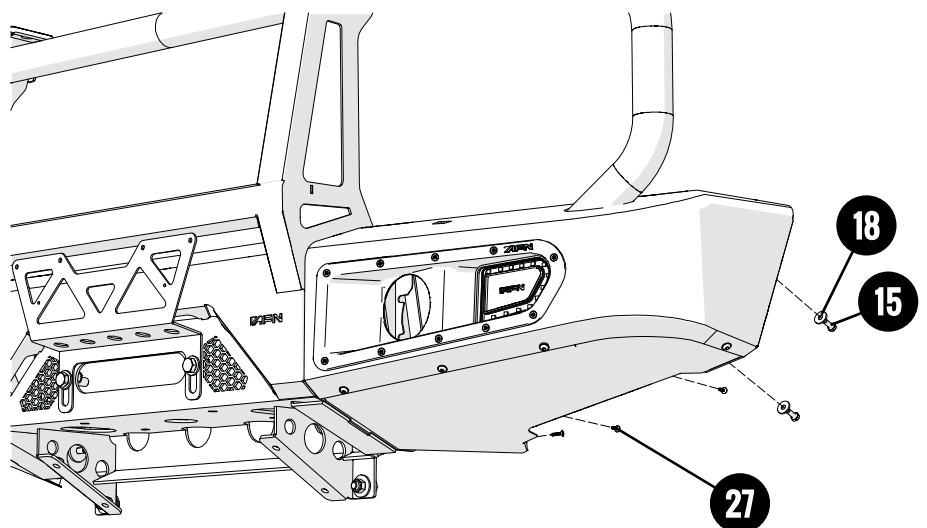
Give the final torque.

Push the **Left Flap(6)** to the **OEM*** plastic fenders and mark the cut line, then cut **OEM*** plastic fender. Mark a hole on the inner side of wheel fender.

Drill a **2mm** diameter hole and fix the flaps through these holes using 3x Bolts M3,5(**27**), as showed.

The plastic fender must be fitted on the **AFN Bullbar | Bumper(1)**, using 2x Bolts M6x15(**15**) with 2x Washers M6 (**18**).

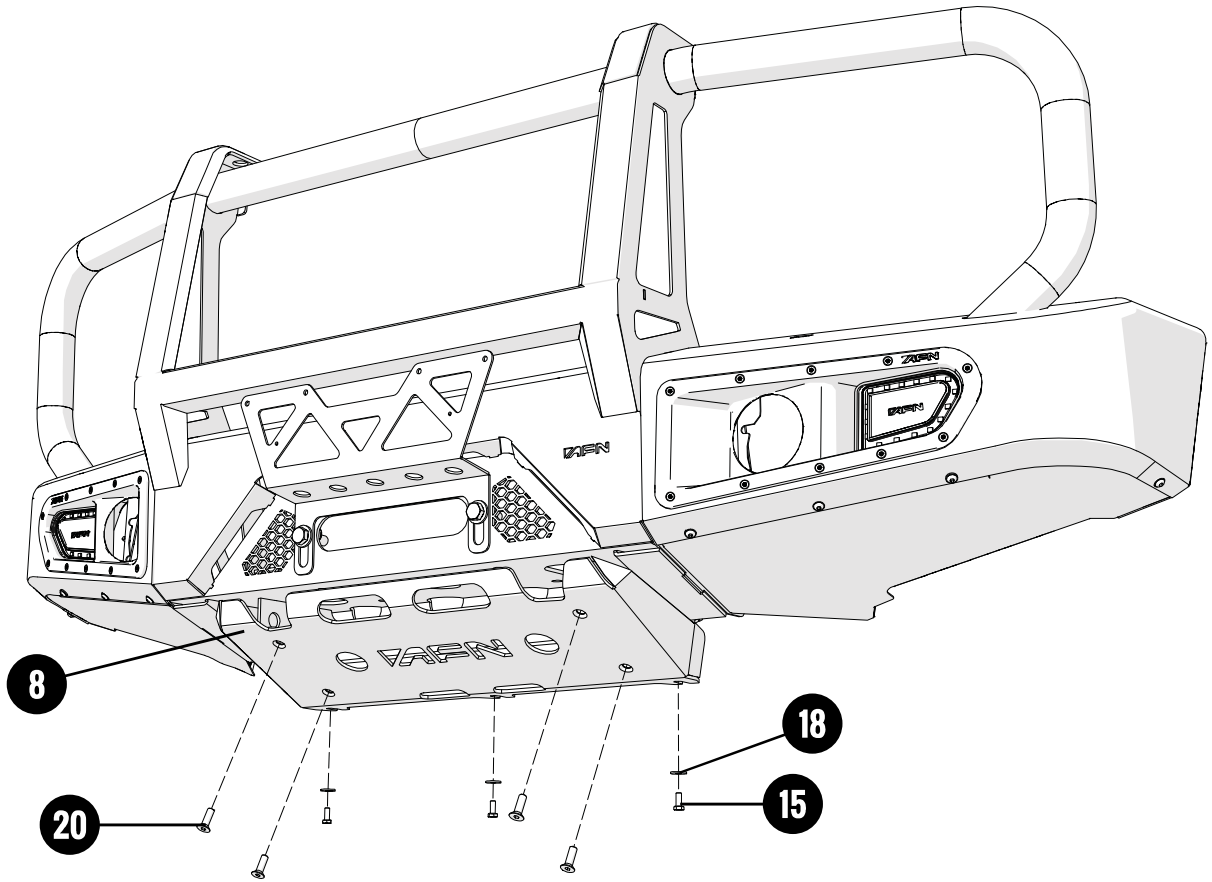
Repeat all these steps on the other side for the **Right Flap(7)**.

Give the final torque.

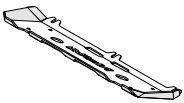
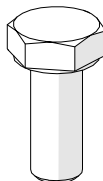
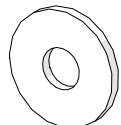
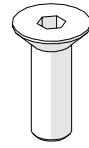
*OEM - Original Equipment Manufacturer

Step 6 - Fitting the Front Underbody's Armor

Preview



Parts needed:

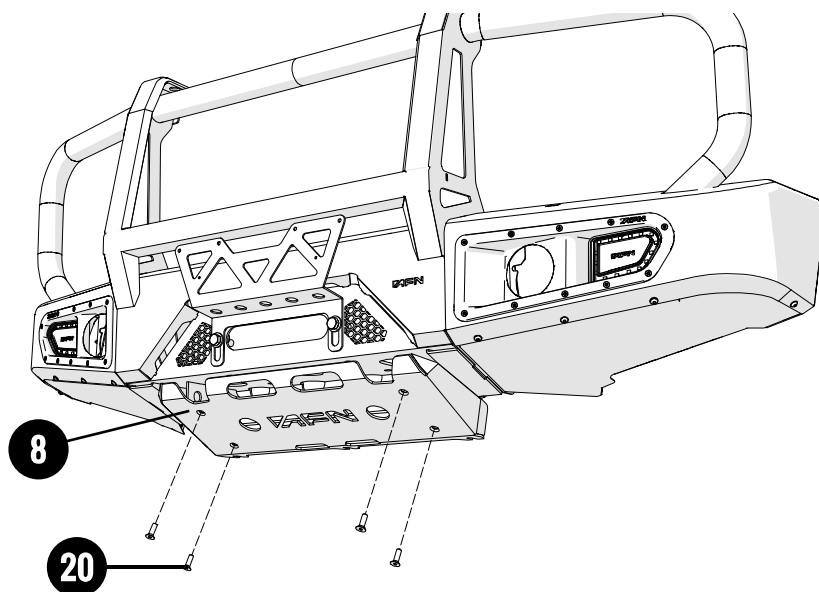
- | | | | |
|---|--|---|--|
| 
x1 Front Skid Plate Protection | 
x3 Bolt M6x15 | 
x3 Washer M6 | 
x4 Bolt M8x25 |
|---|--|---|--|

Step 6 - Fitting the Front Underbody's Armor**Installation**

Fit **Front Skid Plate(8)** on the **Winch Bracket** which is embodied in the **AFN Bullbar | Bumper(1)**.

Use 4x Bolts M8x25(**20**), two on each side, as showed in the image.

Just finger tight both bolts
Do Not tighten yet.

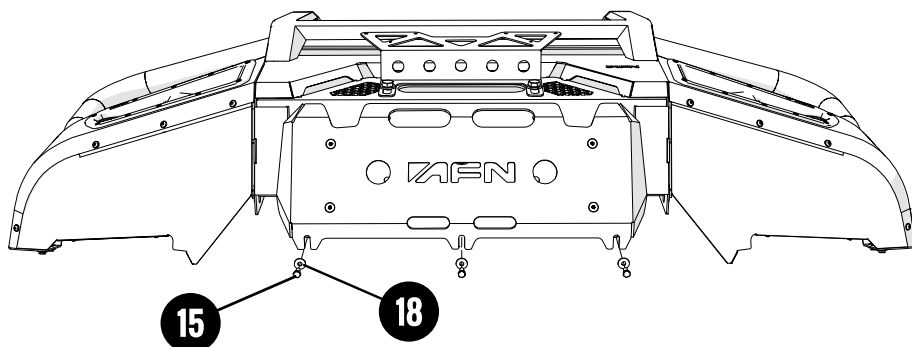


Then, fit the back of **Front Skid Plate(8)** on vehicle chassis.

Use 3x Bolts M6x15(**15**) with 3x Washers M6(**18**), as showed.

Check if the protection is correctly fitted, according your preferences and

Give the final torque.





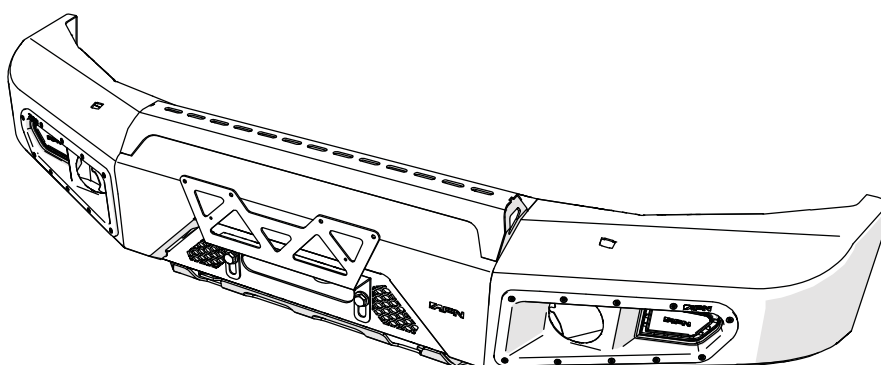
Your new **AFN BULLBAR | FRONT BUMPER** is now installed on your **Suzuki Jimny 2019!**
Have Fun!

Reminder !

- Before operating a vehicle fitted with an AFN Bullbar | Front Bumper:
- Make sure all fittings are tightened
 - Check winch operation (if installed)
 - Check all electrical wiring attached to lights and parking sensors (if installed)

Maintenance | Care

Periodically check and tighten all nuts. Stripped, fractured or bent bolts or nuts need to be replaced.





3 JIMNY 2019 CATALOGUE

AFN 4x4 Accessories is becoming a well known brand for its products due to its quality, design and safety which are challenged for thousands of people everyday, worldwide.

In its diversity of products we can include, with all-terrain quality, protection, safety and aesthetic accessories. With that being said, **AFN 4x4** has some other accessories that every offroad passionate would like to have, such as **Body Protections, Underbody Protections, Light Holders, Storage** (Wheel Supports and Jerry-can carriers) and others related to the **Aesthetics**.

We have some 4x4 accessories that combine with the original model lines that if you take a closer look you will see that they don't appear to be an accessory, but a must-have.

Please be in mind that some accessories are available only to some models.

Feel free to check all the products that may interest you in our website at: www.afn.pt



Ref.: 48002524 - Front Bumper



Ref.: 48002514 - Bullbar with fog lights



Ref.: 48002478 - Side Bars

4 WARRANTY TERMS

AFN4x4 products are warranted free from defects in materials and workmanship for a period of two (2) years from the date of initial retail purchase. Third-party components are delivered under the original manufacturer warranty.

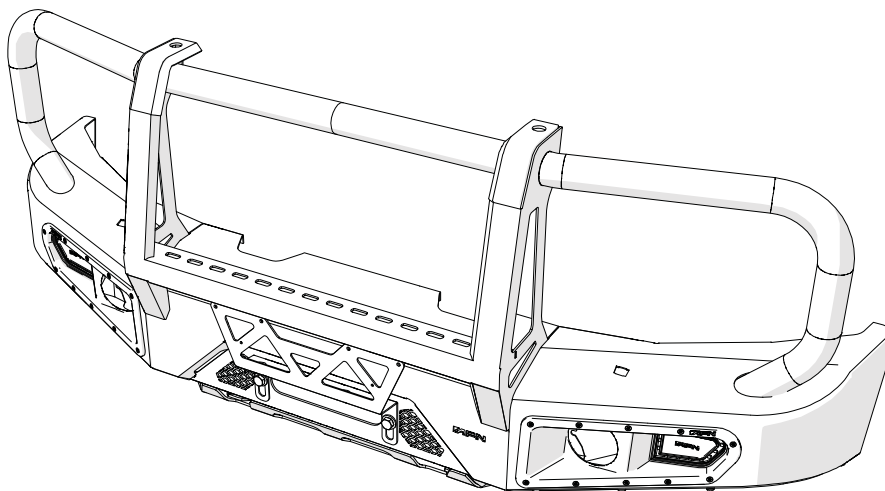
Under the present warranty, **AFN4x4** obligation shall be limited to repairing, replacing or crediting, at its option, any part found to be defective.

AFN4x4 does not warrant or make any representations concerning its goods when:

- a) The products are purchased used, scratch and dent or when the box was opened.
- b) The products are not installed, used, and maintained strictly in accordance with **AFN4x4**'s instructions.
- c) The products are installed in vehicles that are used in competition.
- d) The products are installed in vehicles fitted with aftermarket non-standard tires with diameters in excess of OEM* specifications.
- e) The products are installed in vehicles with engines that have been modified to increase performance.

AFN4x4 will not be responsible for goods damaged in transit. If any goods arrive damaged, please contact the **AFN4x4** as soon as possible. **AFN4x4** will assess and may arrange to have the damaged goods returned to a **AFN4x4** Distributor and arrange for a replacement of the goods. Damaged goods must be returned in the condition received by you with all original packaging, accessories and/or manuals. If they are not returned in same condition sent there may be an additional fee charged.

To file a claim under this warranty please contact **AFN4x4** at +351 256 808 300 or via email at geral@afn.pt to request a *Returned Goods Authorization (RGA)* number and instructions for returning the defective component.





5 AFN 4x4 PARTNERS



01

Portugal

Rua da Madeira, 113
Z. Industrial das Travessas
3700-176 S. João da Madeira

T:(00351) 256 838 300/7
geral@afn.com
www.afn.com

02

Espanha

Carretera de Moledo 8
pol. ind. de Miraflores, Nave 20
36214, Vigo (Pontevedra)

T:(0034) 986 378338
info@4x4misutonida.com
www.4x4misutonida.com

03

Austrália

19 Flinders Parade
North lakes
QLD 4509

T:(0061) 1300 236 494
sales@afn4x4.com.au
www.afn4x4.com.au

04

Costa Rica

Fort overlanding CR,
Alajuela

T:(0011) 506 8430 0211
info@fortoverlanding.com
www.fortoverlanding.com

DON'T JUST SETTLE FOR THE SAME OLD BULL



WWW.AFN.PT | SALES@AFN.PT | FACEBOOK.COM/AFN4X4

WELCOME TO THE AFN FAMILY



União Europeia

Fundo Europeu de
Desenvolvimento Regional

