

# CRAFTED LIKE NO OTHER

DON'T JUST SETTLE  
FOR THE SAME  
OLD BULL

OWNER MANUAL

SUZUKI  
JIMNY 2019+

**AFN**<sup>®</sup>  
4 X 4 ACCESSORIES



## WELCOME TO THE AFN FAMILY

This manual contains the **Suzuki Jimny +2019** fitting instructions for:  
Side Bars Ref.: 48002515

# 1 INTRODUCTION



## The Company

Founded in 1995, AFN - 4x4 Accessories dedicates itself to the production and commerce of all-terrain accessories. Its constant concern in its customers total satisfaction, and in the ideals of innovation and transformation have granted a position of notability both in the national and international panorama.

The only company in Portugal in the mass production of 4x4 accessories, relies on specialized and experienced technicians, with the most adequate knowledge, to an efficient response capability to its customers demands.

Thanks to the specialization in the several areas of design and manufacture and to a constant investment in technology, AFN has been broadening its wide range of products, without ever neglecting the quality factor.

## 4x4 Accessories

In its diversity of products we can include, with all-terrain quality, protection, safety and aesthetic accessories.

And it is here that AFN invest on the best technology, the best cut precision of the raw material, and the transformation of products with the quality recognized in the marketplace.

AFN has, at its disposal, resources to test and analyse the resistance of its products and stands in the front row regarding the European homologation of materials dedicated to all terrain.

The contact with the most important test laboratories for vehicles, both in England, Spain and Germany, provides AFN with the know-how to manufacture a wide range of quality products.

## Our Design Approach

AFN designs each accessory taking into consideration the original model lines and fitting points. We refuse to have a "one design fits all" solution and we are always looking forward to embrace new challenges on how to adjust a new product into a new model!

The days of just throwing on a bit of steel together to form a protection system are gone. AFN is leading the way modern vehicle protection components are manufactured. Other will follow, and it won't be long where the AFN approach to Styling, Fit, Form and Function will become the benchmark for all other manufacturers.





## INDEX

### AFN 4x4 Accessories

Product: **Side Bars**

Part Ref.: **48002515**

Introduction 2

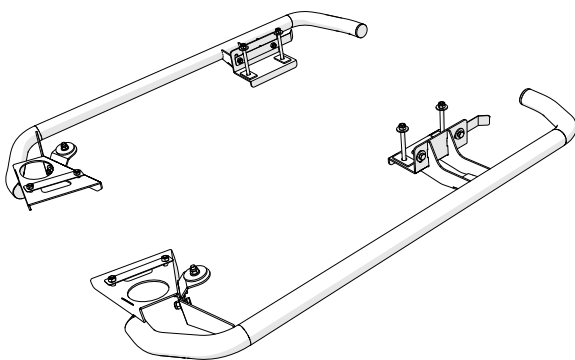
1 Checklist 4  
Product 48002515

2 Fitting Instructions 6

3 JIMNY 2019 Catalogue 16

4 Warranty Terms 17

5 AFN 4x4 Partners 18



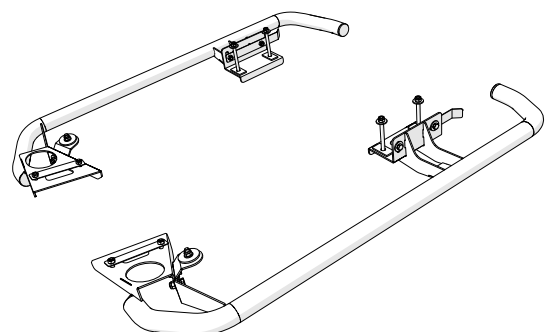
# 1 CHECKLIST

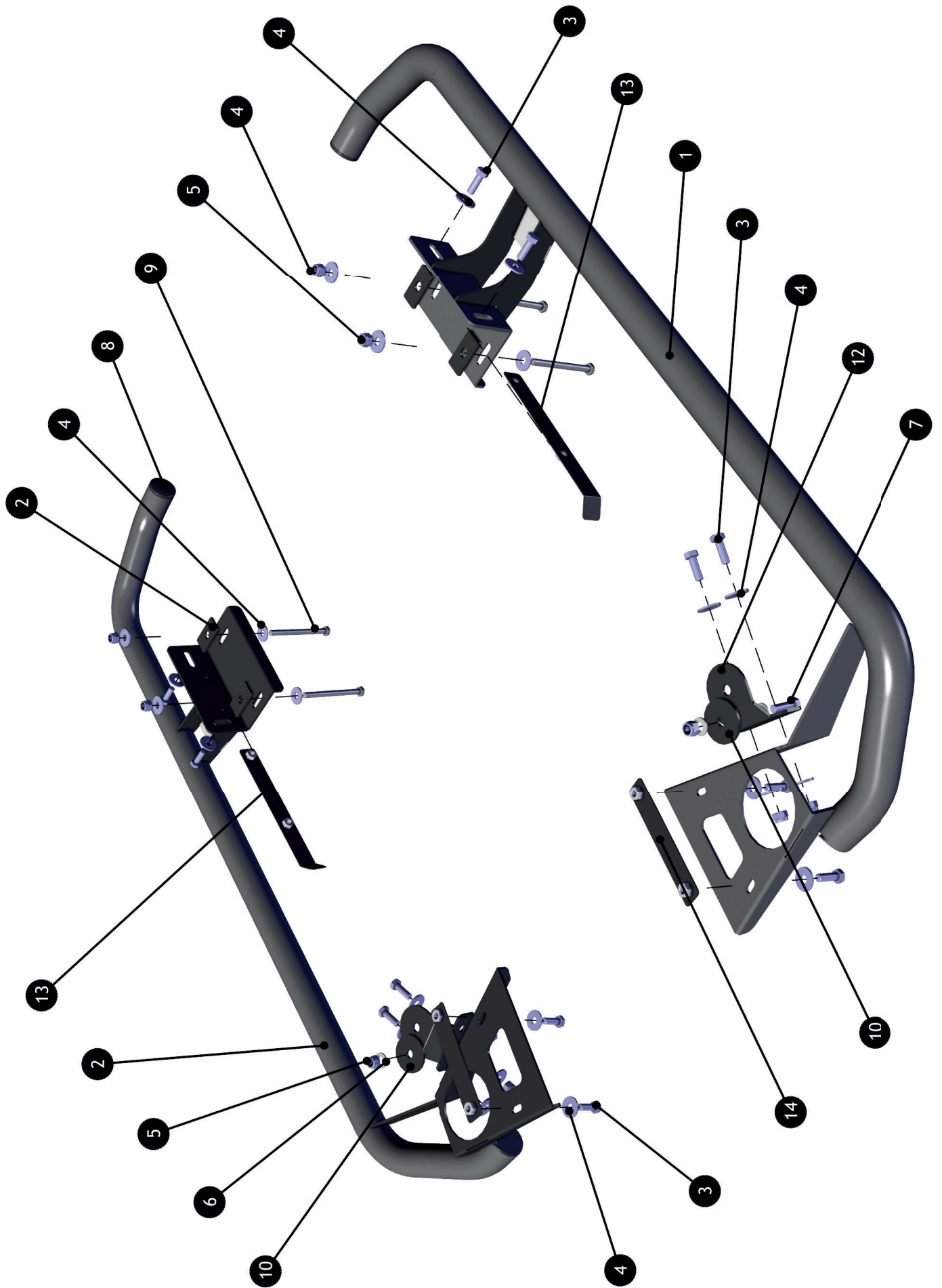


- In this section you have a checklist with all parts included for the installation of your AFN product
- This product should be installed as demonstrated in the product fitting instructions
- If verified that any component is damaged, please contact your nearest AFN distributor
- The specified parts will only fit in the models specified by AFN
- Do not modify any component of the product

This checklist is only for product **48002515**.

NUMBER	DESCRIPTION	REFERENCE	QTY
1	Side Bar Suzuki Jimny 2019 - Left	47002034	1x
2	Side Bar Suzuki Jimny 2019 - Right	47002033	1x
3	Bolt M10x30	45000007	12x
4	Washer M10	45000010	24x
5	Nylock Nut M10	45000017	10x
6	Washer M10	45000039	4x
7	Bolt M10x35	45000069	2x
8	Rear plastic cap	45001295	2x
9	Bolt M10x110	45000240	4x
10	Round Shim	46007804	2x
11	Shim <i>4mm</i>	46007772	4x
12	Front Reinforcement	46007773	2x
13	Double washer plate ( <i>bended</i> )	47002035	2x
14	Double washer plate	47002036	2x





## 2 FITTING INSTRUCTIONS



**WARNING:**

Before you begin installation, read all instructions thoroughly.  
Proper tools will improve the quality of installation and reduce the time required.

- This product should be installed as demonstrated in the *Product «Fitting Instructions»*;
- The specified parts, will only fit the models specified by **AFN**;
- Do not modify any component of the product;
- It is recommended that this product is installed by specialized and trained personnel;
- AFN doesn't take responsibility for changes made in the vehicle by its manufacturer;
- Work safely and use specialized tools at all times;
- **Always use protective gear.**

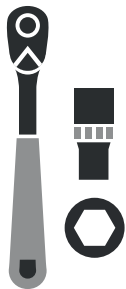


Size	Torque Nm	Torque lbft
M6	9 Nm	7 lbft
M8	22 Nm	16 lbft
M10	44 Nm	32 lbft
M12	77 Nm	57 lbft

### Mouting Time

- 2 hours
- 1 person (recommended)

### Tools Required



- Wrench
- Ratchet wrench
- Lift
- Drill

## Step 1 - Place Suzuki Jimny on a Lift

### ATTENTION!

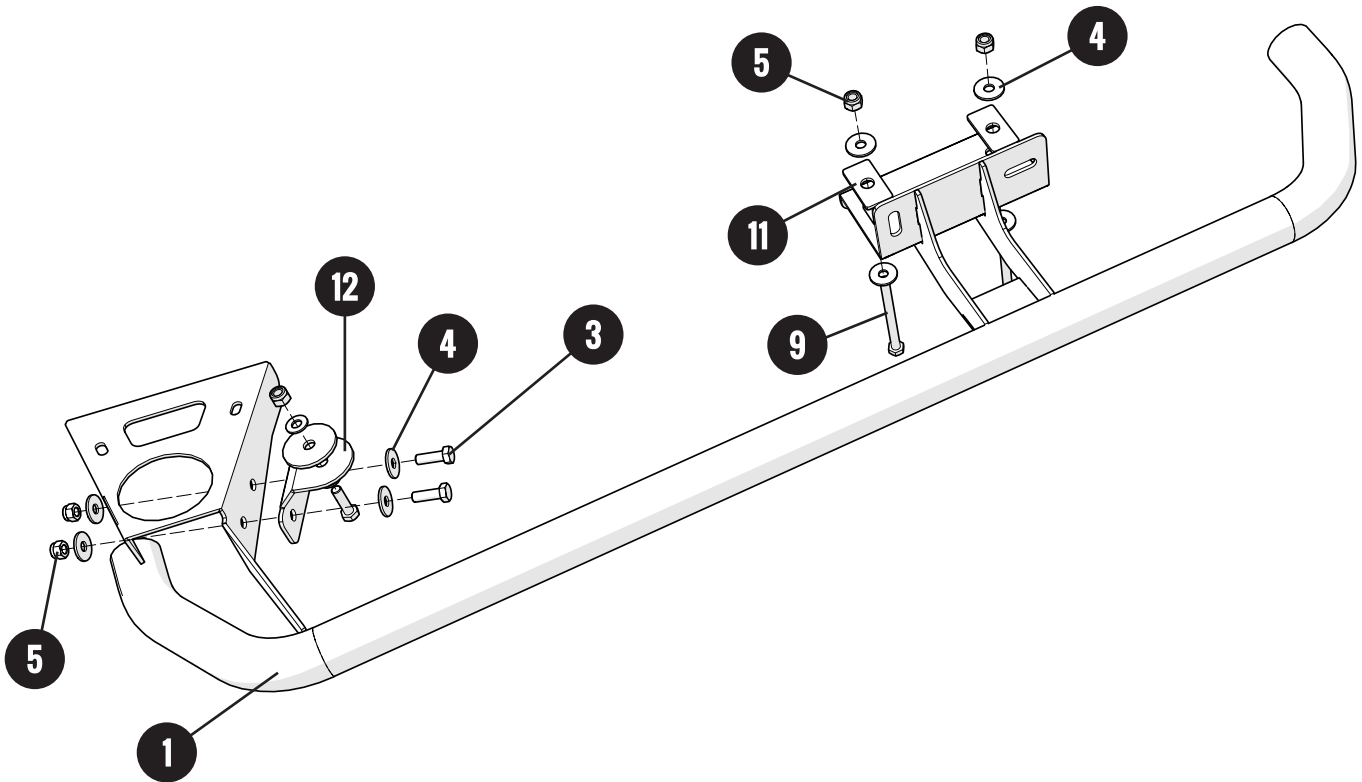
Please be aware that the following **FITTING INSTRUCTIONS** are only for one side, so the quantities in each step are half of the needed for both **SIDE STEPS**.

We'll do the drivers side (European version)

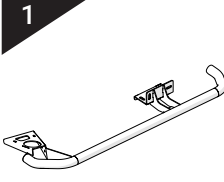
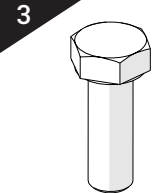
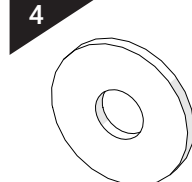
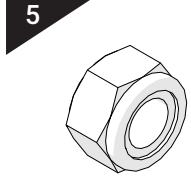
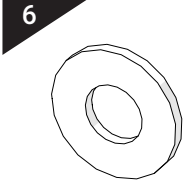
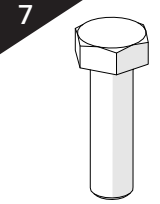

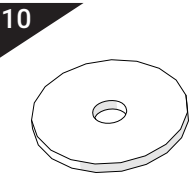
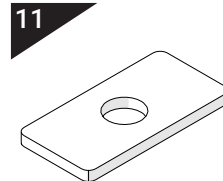
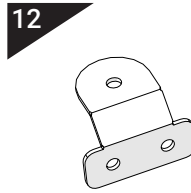


**Step 2 - Fitting the AFN Side Bar on Chassis**

Preview



**Parts needed:**

- |  |  |  |  |   |   |
|--|--|--|--|---|---|
|  <p><b>1</b></p> |  <p><b>3</b></p>  |  <p><b>4</b></p>  |  <p><b>5</b></p>  |  <p><b>6</b></p> |  <p><b>7</b></p> |
| <p>x1 Side Bar Jimny</p>   | <p>x4 Bolt M10x30</p>  | <p>x8 Washer M10</p>   | <p>x5 Nylock Nut M10</p>   | <p>x2 Bolt M10x110</p>  | <p>x1 Bolt M10x35</p>   |
|  <p><b>9</b></p> |  <p><b>10</b></p> |  <p><b>11</b></p> |  <p><b>12</b></p> |   |   |
| <p>x2 Bolt M10x110</p>   | <p>x1 Round Shim<br/>Thickness: 4mm</p>  | <p>x2 Shim<br/>Thickness: 4mm</p>  | <p>x1 Front Reinforcement</p>  |   |   |



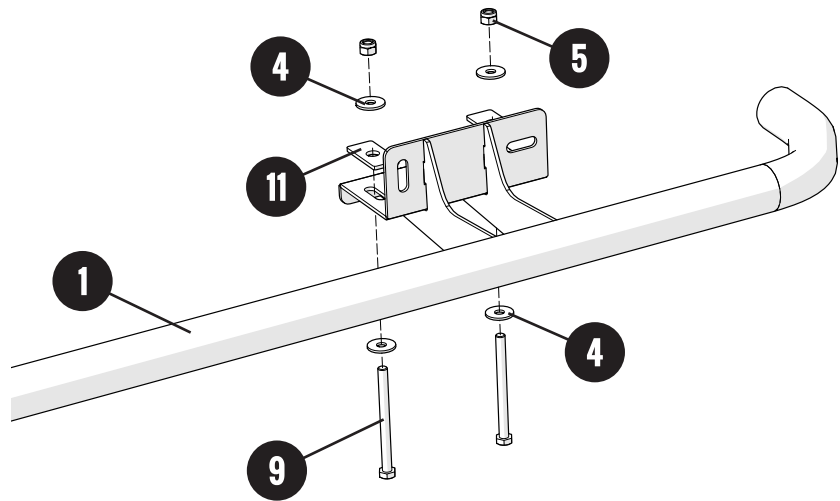
## Step 2 - Fitting the AFN Side Bar on Chassis

## Installation

Once the Jimny is ready to be fitted the side bars, take on **AFN Side Bar (1)** and start by the rear part of it.

So, take on **AFN Side Bar(1)** and fit it onto the chassis, using 2x Bolts M10x110(9) with 4x Washers M10(4), 2 on each side, and 2x Shims(11), and 2 Nylock Nuts M10(5).

Please check the correct order of the materials, see illustration.



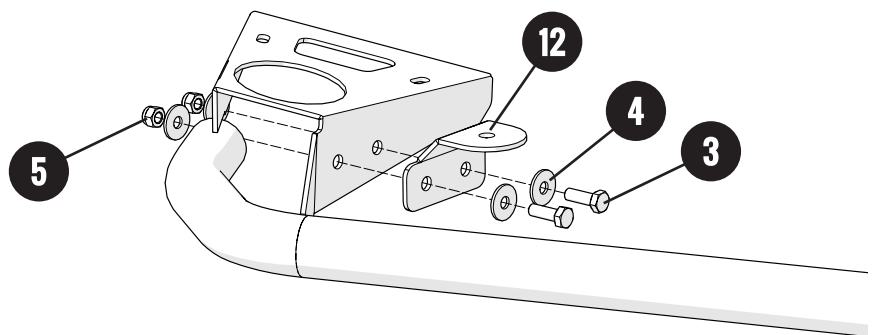
Just finger tight both bolts

**Do Not tighten yet.**

On the other side of the **AFN Side Bar(1)**, proceed the exact same way.

So, take on **Front Reinforcement (12)** and fit it with the **AFN Side Bar(1)** onto the chassis.

Use 2x Bolts M10x40(3) with 4x Washers M10(4), two on each side, and 2x Nylock Nuts(5).



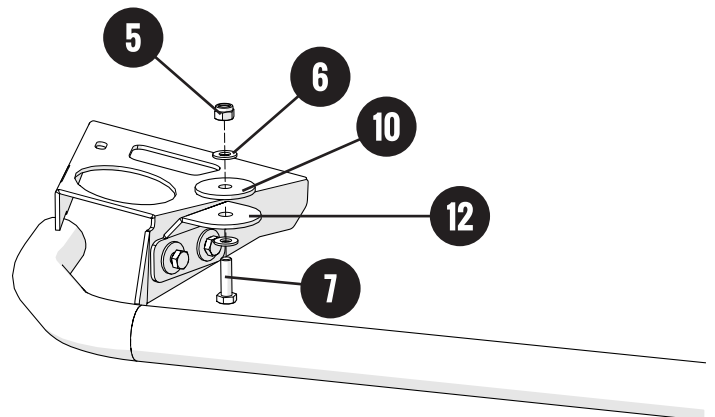
Just finger tight both bolts

**Do Not tighten yet.**

Once the **AFN Side Bar(1)**, is secured, take on .

Take on **Round Shim(10)** and fit it on top of the **Front Reinforcement (12)**

Use 1x Bolt M10x35(7) with 2x Washers M10(6), one on each side, and 1x Nylock Nuts(5).

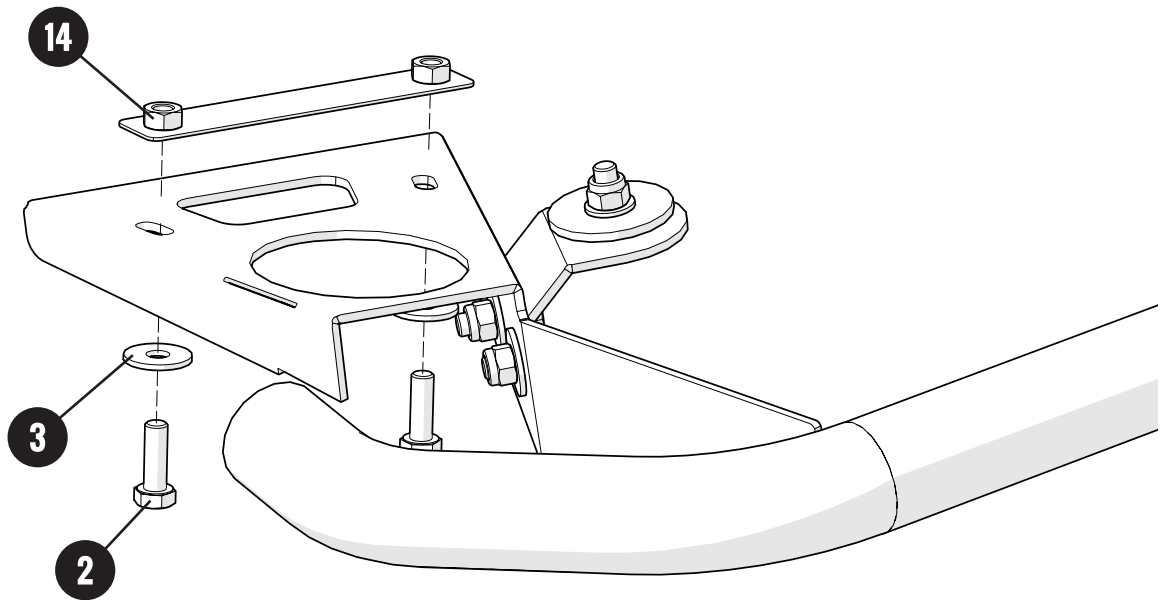


Just finger tight both bolts

**Do Not tighten yet.**

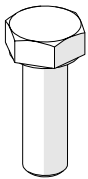
**Step 3 - Fitting the AFN Side Bar on Chassis**

Preview



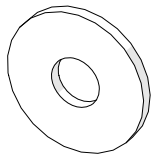
**Parts needed:**

2



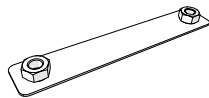
x2 Bolt M10x30

3



x2 Washer M10

14



x1 Double Washer Plate M10

**Step 3 - Fitting the AFN Side Bar on Chassis****Installation**

First, go to the front of the **Chassis** and remove the *OEM\** silent block bracket.

*(Be aware that you must save the OEM bolts and nuts.)*



Then, take on Double Washer plate(14) and fit it above the **AFN Side Bar**(1).

It must enter from the existing gap of the previously removed silent block bracket.

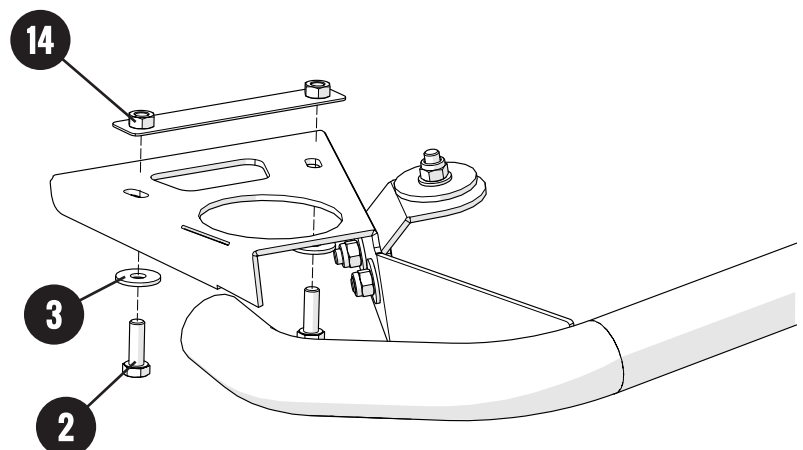


Once that is done, use 2x Bolts M10x30(2) with 2x Washers M10(3) to fit the Double Washer plate(14) into the **AFN Side Bar**(1).

Just finger tight both bolts

**Do Not tighten yet.**

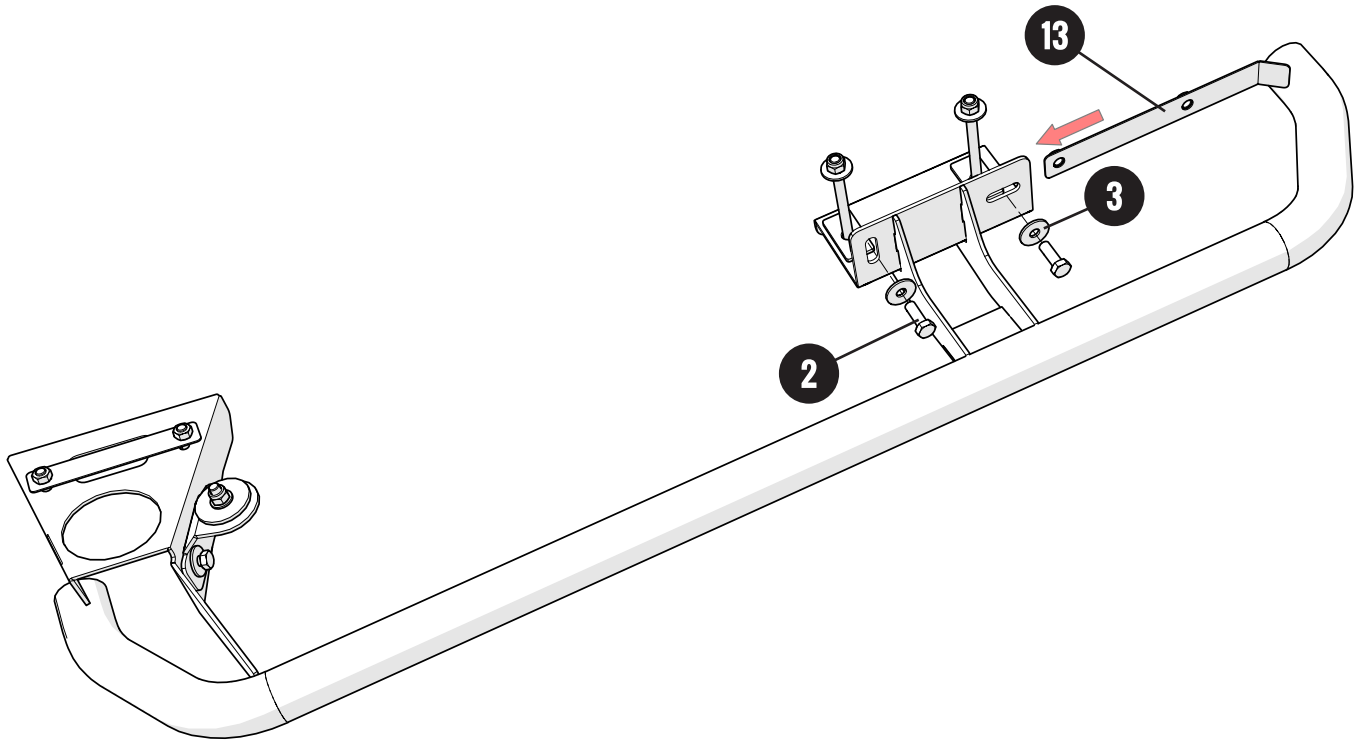
Then, fit again the *OEM\** silent block bracket.



\*OEM - Original Equipment Manufacturer

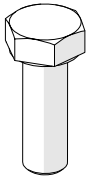
**Step 4 - Fitting the AFN Side Bar on Chassis**

**Preview**



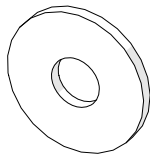
**Parts needed:**

2



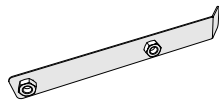
x2 Bolt M10x30

3



x2 Washer M10

13



x1 Double Washer Plate M10  
*Bended*

**Step 4 - Fitting the AFN Side Bar on Chassis****Installation**

On the rear part of the **AFN Side Bar(1)**, where it connects to the **Chassis**, there is one hole that needs to be done.

So, take on a drilling machine and drill a hole, according to the image.

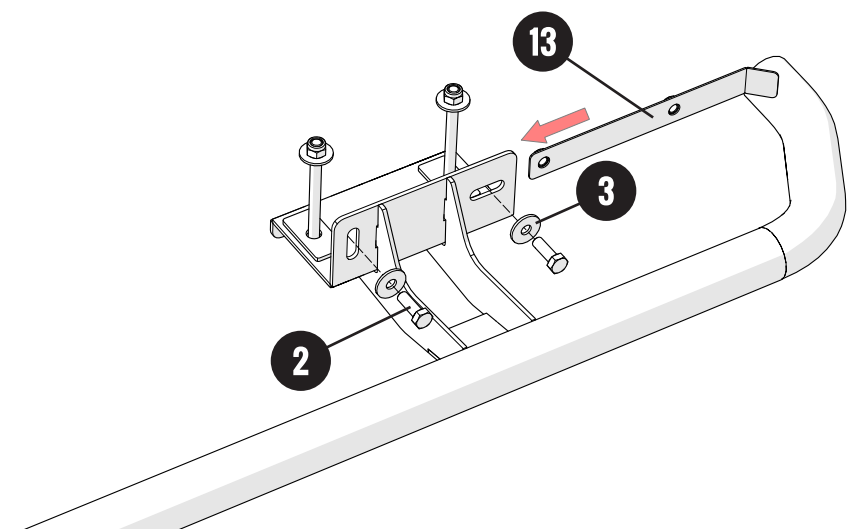


Once the hole is made, take on Double washer plate bended (**13**) and put it inside that.



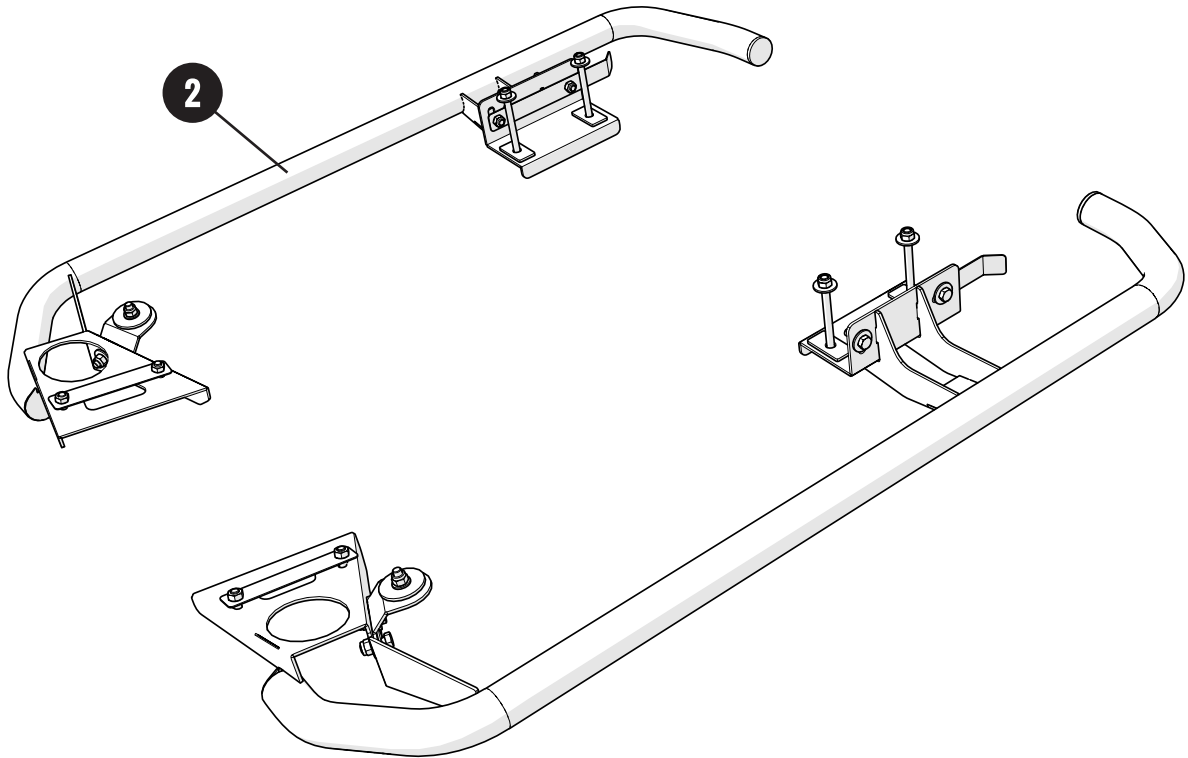
Use 2x Bolts M10x30(**2**) with 2x Washers M10(**3**) to fit the Double Washer plate bended(**13**) between the **AFN Side Bar(1)** and the **Chassis**.

Just finger tight both bolts  
**Do Not tighten yet.**



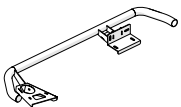
**Step 5 - Fitting the Side Bar on the other side**

**Preview**



**Parts needed:**

**2**



x1 Side Bar Jimny

**Step 5 - Fitting the Side Bar on the other side****Installation**

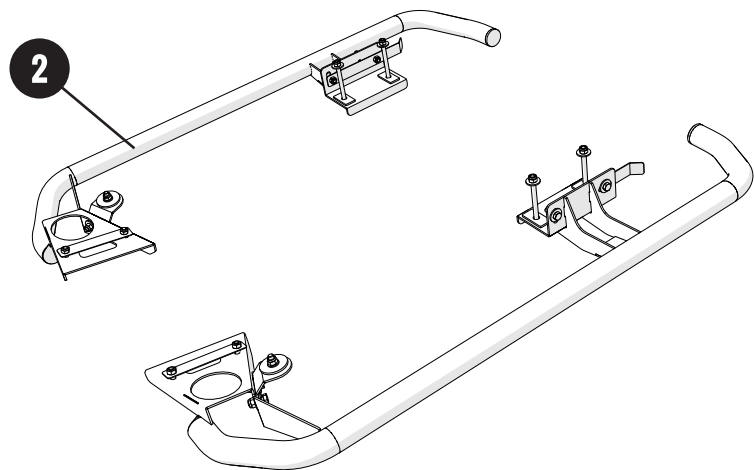
Now, it's time to do the final adjustments on the **AFN Side Bar(1)**, and start full tightening all the bolts.

So, adjust the best way the **AFN Side Bar(1)** and,

**Give the final torque.**



Repeat exactly the same steps, in the same order, for the other side of the **AFN Side Bar(2)**.



Step 6 - Final Result

Preview



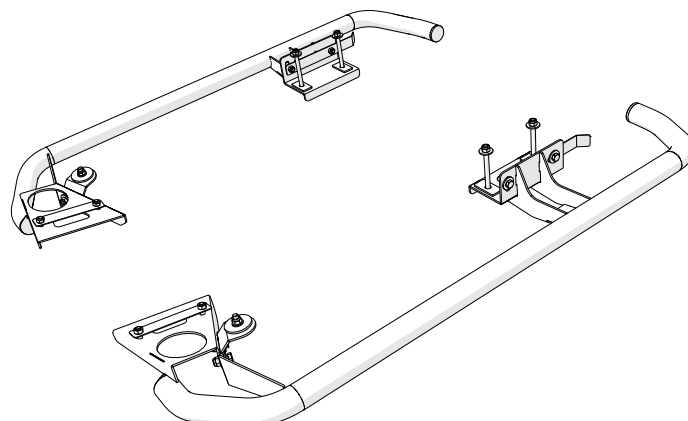
Your new **AFN SIDE BARS** are now installed on your **Suzuki Jimny 2019!**  
Have Fun!

**Reminder !**

Before operating a vehicle fitted with an AFN Side Bars:  
- Make sure all fittings are tightened

**Maintenance | Care**

Periodically check and tighten all nuts. Stripped, fractured or bent bolts or nuts need to be replaced.







## 3 JIMNY 2019 CATALOGUE

**AFN 4x4 Accessories** is becoming a well known brand for its products due to its quality, design and safety which are challenged for thousands of people everyday, worldwide.

In its diversity of products we can include, with all-terrain quality, protection, safety and aesthetic accessories. With that being said, **AFN 4x4** has some other accessories that every offroad passionate would like to have, such as **Body Protections, Underbody Protections, Light Holders, Storage** (Wheel Supports and Jerry-can carriers) and others related to the **Aesthetics**.

We have some 4x4 accessories that combine with the original model lines that if you take a closer look you will see that they don't appear to be an accessory, but a must-have.

Please be in mind that some accessories are available only to some models.

Feel free to check all the products that may interest you in our website at: [www.afn.pt](http://www.afn.pt)



Ref.: 48002524 - Front Bumper



Ref.: 48002514 - Bullbar with fog lights



Ref.: 48002478 - Side Bars

## 4 WARRANTY TERMS

**AFN4x4** products are warranted free from defects in materials and workmanship for a period of two (2) years from the date of initial retail purchase. Third-party components are delivered under the original manufacturer warranty.

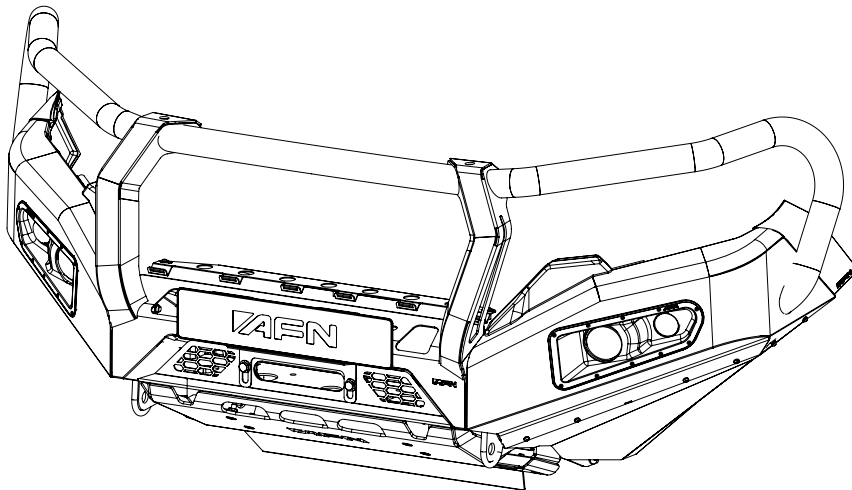
Under the present warranty, **AFN4x4** obligation shall be limited to repairing, replacing or crediting, at its option, any part found to be defective.

**AFN4x4** does not warrant or make any representations concerning its goods when:

- a) The products are purchased used, scratch and dent or when the box was opened.
- b) The products are not installed, used, and maintained strictly in accordance with **AFN4x4**'s instructions.
- c) The products are installed in vehicles that are used in competition.
- d) The products are installed in vehicles fitted with aftermarket non-standard tires with diameters in excess of OEM\* specifications.
- e) The products are installed in vehicles with engines that have been modified to increase performance.

**AFN4x4** will not be responsible for goods damaged in transit. If any goods arrive damaged, please contact the **AFN4x4** as soon as possible. **AFN4x4** will assess and may arrange to have the damaged goods returned to a **AFN4x4** Distributor and arrange for a replacement of the goods. Damaged goods must be returned in the condition received by you with all original packaging, accessories and/or manuals. If they are not returned in same condition sent there may be an additional fee charged.

To file a claim under this warranty please contact **AFN4x4** at +351 256 808 300 or via email at [geral@afn.pt](mailto:geral@afn.pt) to request a *Returned Goods Authorization (RGA)* number and instructions for returning the defective component.





**5 AFN 4x4 PARTNERS**



**01**

**Portugal**

Rua da Madeira, 113  
Z. Industrial das Travessas  
3700-176 S. João da Madeira

T:(00351) 256 838 300/7  
geral@afn.com  
www.afn.com

**02**

**Espanha**

Carretera de Moledo 8  
pol. ind. de Miraflores, Nave 20  
36214, Vigo (Pontevedra)

T:(0034) 986 378338  
info@4x4misutonida.com  
www.4x4misutonida.com

**03**

**Austrália**

19 Flinders Parade  
North lakes  
QLD 4509

T:(0061) 1300 236 494  
sales@afn4x4.com.au  
www.afn4x4.com.au

**04**

**Costa Rica**

Fort overlanding CR,  
Alajuela

T:(0011) 506 8430 0211  
info@fortoverlanding.com  
www.fortoverlanding.com

DON'T JUST SETTLE FOR THE SAME OLD BULL



WWW.AFN.PT | SALES@AFN.PT | FACEBOOK.COM/AFN4X4

# WELCOME TO THE AFN FAMILY



PROGRAMA OPERACIONAL REGIONAL DO NORTE



União Europeia

Fundo Europeu de  
Desenvolvimento Regional

