

# CRAFTED LIKE NO OTHER

DON'T JUST SETTLE  
FOR THE SAME  
OLD BULL

OWNER MANUAL

NISSAN

NAVARA NP300 2015+

**AFN**<sup>®</sup>  
4 X 4 ACCESSORIES

## WELCOME TO THE AFN FAMILY

This manual contains the **Nissan Navara NP300 +2015** fitting instructions for:  
**Side Steps Ref.: 48002381**                      **Nerf Bars Ref.: 48002382**

# 1 INTRODUCTION



## The Company

Founded in 1995, AFN - 4x4 Accessories dedicates itself to the production and commerce of all-terrain accessories. Its constant concern in its customers total satisfaction, and in the ideals of innovation and transformation have granted a position of notability both in the national and international panorama.

The only company in Portugal in the mass production of 4x4 accessories, relies on specialized and experienced technicians, with the most adequate knowledge, to an efficient response capability to its customers demands.

Thanks to the specialization in the several areas of design and manufacture and to a constant investment in technology, AFN has been broadening its wide range of products, without ever neglecting the quality factor.

## 4x4 Accessories

In its diversity of products we can include, with all-terrain quality, protection, safety and aesthetic accessories.

And it is here that AFN invest on the best technology, the best cut precision of the raw material, and the transformation of products with the quality recognized in the marketplace.

AFN has, at its disposal, resources to test and analyse the resistance of its products and stands in the front row regarding the European homologation of materials dedicated to all terrain.

The contact with the most important test laboratories for vehicles, both in England, Spain and Germany, provides AFN with the know-how to manufacture a wide range of quality products.

## Our Design Approach

AFN designs each accessory taking into consideration the original model lines and fitting points. We refuse to have a "one design fits all" solution and we are always looking forward to embrace new challenges on how to adjust a new product into a new model!

The days of just throwing on a bit of steel together to form a protection system are gone. AFN is leading the way modern vehicle protection components are manufactured. Other will follow, and it won't be long where the AFN approach to Styling, Fit, Form and Function will become the benchmark for all other manufacturers.



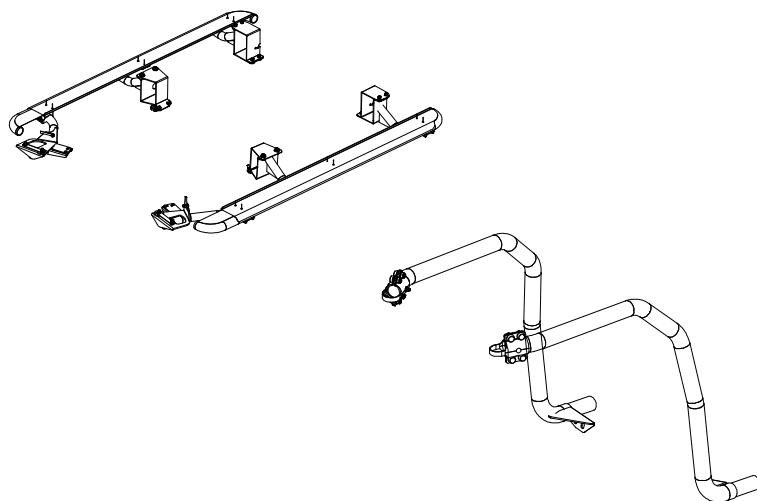


# INDEX

## AFN 4x4 Accessories

Product: **Side Steps**  
Part Ref.: **48002381**

Product: **Nerf Bars**  
Part Ref.: **48002382**



**Introduction** 2

**1 Checklist** 4  
Product 48002381

**1 Checklist** 6  
Product 48002382

**2 Fitting Instructions** 8

**3 D-MAX Catalogue** 14

**4 Warranty Terms** 15

**5 AFN 4x4 Partners** 16

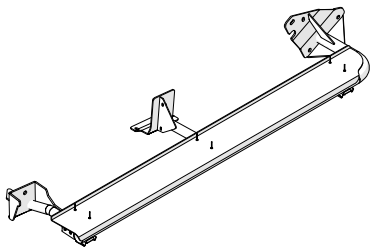


# 1 CHECKLIST

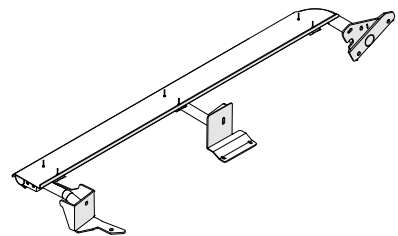


- In this section you have a checklist with all parts included for the installation of your AFN product
- This product should be installed as demonstrated in the product fitting instructions
- If verified that any component is damaged, please contact your nearest AFN distributor
- The specified parts will only fit in the models specified by AFN
- Do not modify any component of the product

This checklist is for product **48002381** and **48002382**. Please note that both are divided.



Ref.: 47001863



Ref.: 47001862



Ref.: 47002026

X1



Ref.: 47002025

X2



Ref.: 47001870

X1



Ref.: 47001869

X1



Ref.: 47001868

X1



Ref.: 47001867

X1



Ref.: 47001866

X2



Ref.: 47001865

X1



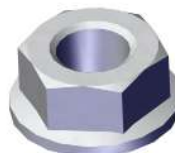
Ref.: 47001864

X1



Ref.: 46006657

X2



Zinc Plated  
Ref.: 45001249  
M12

X2



Zinc Plated  
Ref.: 45001109  
M6x20

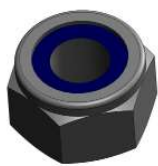
X3



Zinc Plated

Ref.: 46001054  
M14x100x35

X4



Zinc Plated

Ref.: 45000330  
M14

X4



Zinc Plated

Ref.: 45000165  
M14

X8



Zinc Plated

Ref.: 45000069  
M10x35

X4



Zinc Plated

Ref.: 45000067  
M12x35

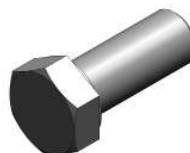
X2



Zinc Plated

Ref.: 45000039  
M10

X16



Zinc Plated

Ref.: 45000037  
M12x30

X2



Zinc Plated

Ref.: 45000036  
M12

X4



Zinc Plated

Ref.: 45000017  
M10

X4



Zinc Plated

Ref.: 45000015  
M10x25

X4



Zinc Plated

Ref.: 45000011  
M8

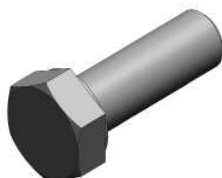
X2



Zinc Plated

Ref.: 45000008  
M8x30

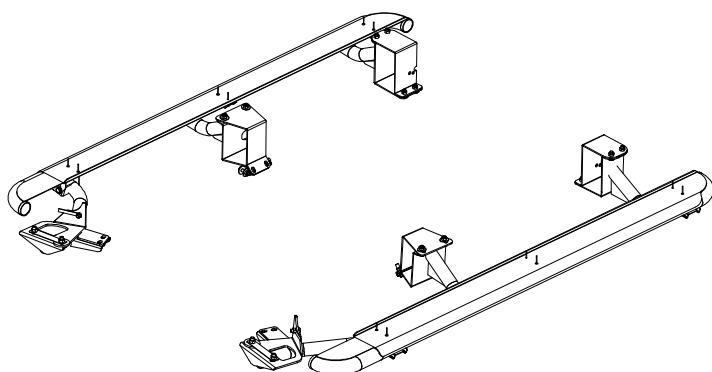
X2



Zinc Plated

Ref.: 45000007  
M10x30

X4

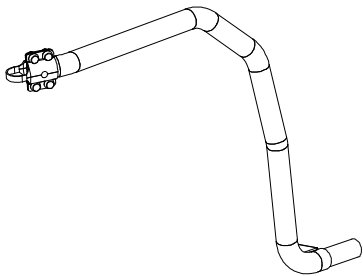


**1 CHECKLIST**

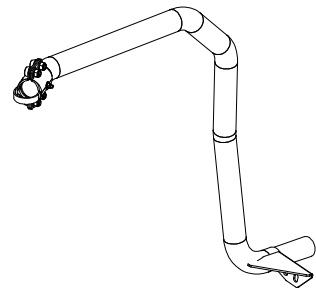


- In this section you have a checklist with all parts included for the installation of your AFN product
- This product should be installed as demonstrated in the product fitting instructions
- If verified that any component is damaged, please contact your nearest AFN distributor
- The specified parts will only fit in the models specified by AFN
- Do not modify any component of the product

This checklist is only for product **48002382**.



Ref.: 47001872

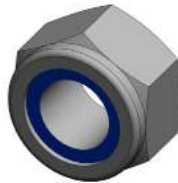


Ref.: 47001871



Ref.: 46006741

X2



Ref.: 45000935  
M10

X8



Ref.: 45000311  
M10

X16



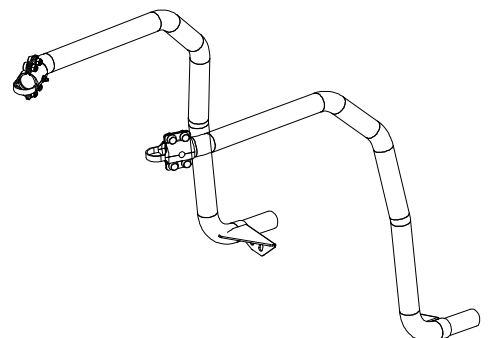
Ref.: 45000310  
M10x25

X8



Ref.: 45000032  
M10

X8





## 2 FITTING INSTRUCTIONS

### WARNING:

Before you begin installation, read all instructions thoroughly.  
Proper tools will improve the quality of installation and reduce the time required.

- This product should be installed as demonstrated in the *Product «Fitting Instructions»*;
- The specified parts, will only fit the models specified by **AFN**;
- Do not modify any component of the product;
- It is recommended that this product is installed by specialized and trained personnel;
- AFN doesn't take responsibility for changes made in the vehicle by its manufacturer;
- Work safely and use specialized tools at all times;
- **Always use protective gear.**

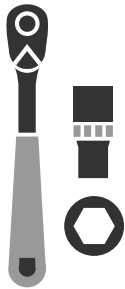


Size	Torque Nm	Torque lbft
M6	9 Nm	7 lbft
M8	22 Nm	16 lbft
M10	44 Nm	32 lbft
M12	77 Nm	57 lbft

### Mouting Time

- 2,5 hours (**Nerf Bars + Side Steps**)
- 2 persons (recommended)

### Tools Required



- Wrench
- Ratchet wrench
- Lift



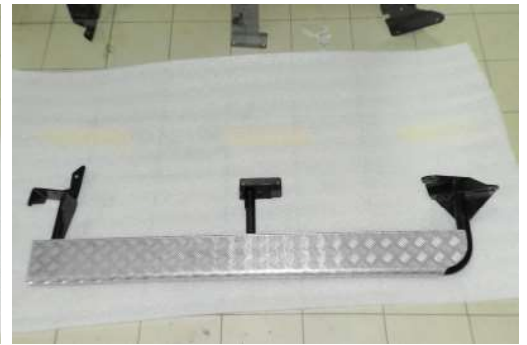
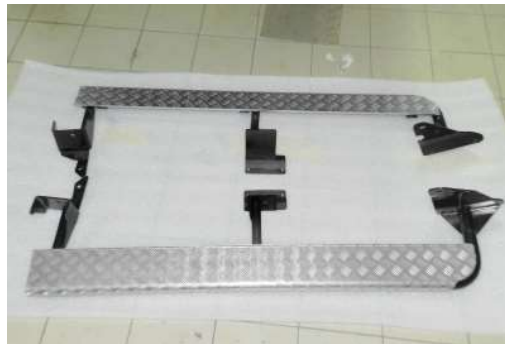
## Step 1

AFN Side Steps

The AFN Side Steps should be as showed in the image.

Please mind that both **Fitting Instructions are equal**, so this **fitting instructions applies to both of them**.

The images shown are for the **Left Side Step**.



## Step 2

Remove the cover of the OEM\* part shown in the image.

Be careful so you don't break the fasteners of it.

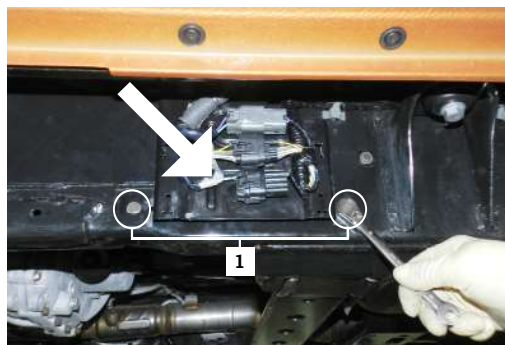
Be aware that you must save the OEM\* bolts and nuts.



## Step 3

Once the cover's removed, remove the OEM\* cable holder and detach all the cables from it.

Bolts needed:  
1 - OEM\* Bolts;



If you done it correctly this is what it should look like.



\*OEM - Original Equipment Manufacturer

## Step 4

On the end, close the back wheel, remove *OEM\** Bolts, as showed (see #1).

Fit the supplied shim with part number 46006657.

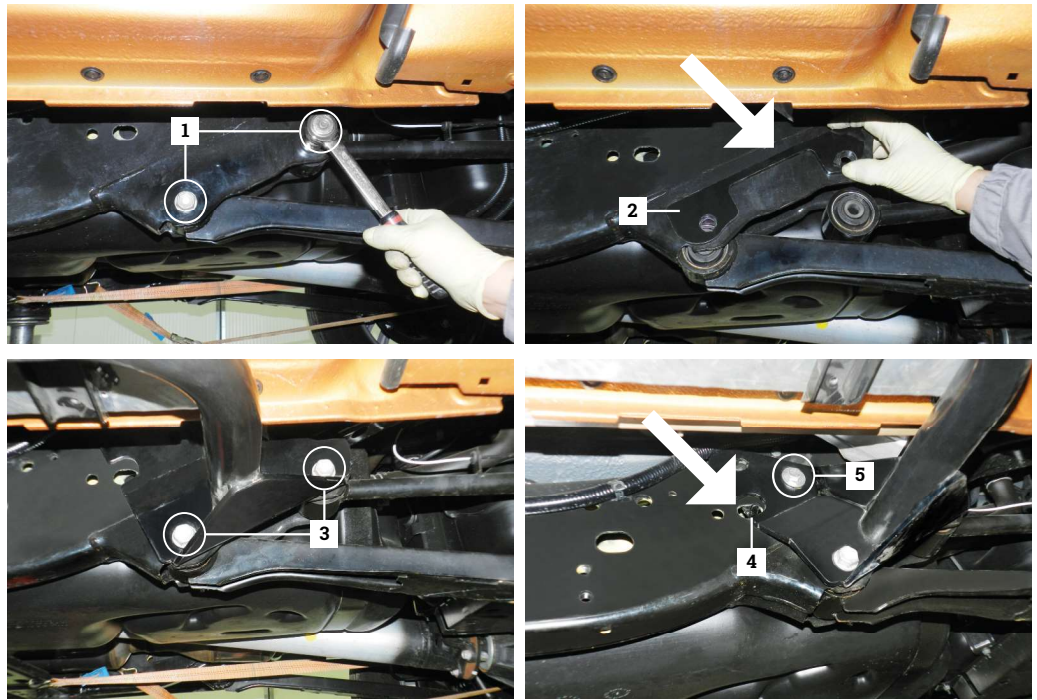
Then, fit the **AFN Side Step** on the chassis.

Parts needed:

**2** - 46006657;  
**3** - 45001054; 45000165 x2;  
 45000330; **M14x100x35**

Fit the **47001869**, as showed and fit it into the **AFN Side Steps**;  
**4** - 47001869;  
**5** - 45000007; 45000039 x2;  
**M10x30**

Just finger tight all bolts and nuts  
 - **Do Not tighten yet.**



## Step 5

Once the rear part of the **AFN Side Step** is secured, fit its front part.

Bolts needed:

**1** - 45000067; 45000036;  
 45001249; **M12x35**

Once the **AFN Side Step** is secured, use part number **47001866**, it must enter as showed in the image on the right.

Parts needed:

**2** - 47001866;  
**3** - 45000037; 45000036; **M12x30**

*Tip: You may use a jack to hold the **AFN Side Step** in the air while fitting the its front part.*



## Step 6

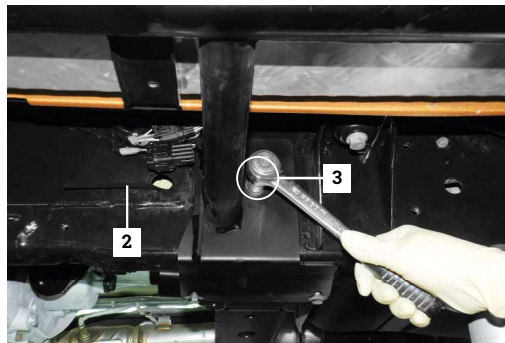
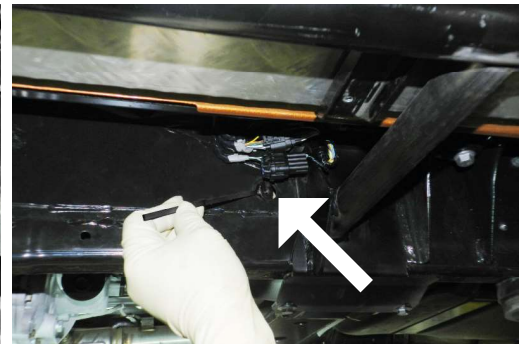
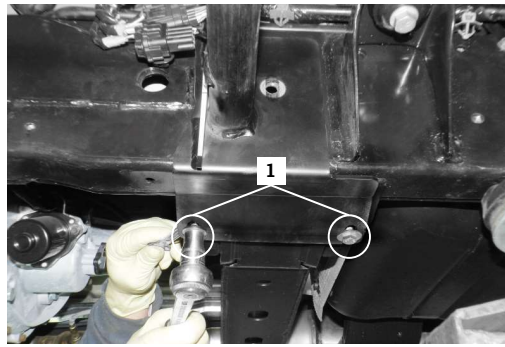
The fitting process for the middle part is in the same way as the front part, so start by fitting the bottom part, as showed.

Bolts needed:  
**1** - 45000069; 45000039 x2;  
 45000017; **M10x35**

Once the **AFN Side Step** is secured, use part number **47002025**, it must enter as showed in the image on the right.

Parts needed:  
**2** - 47002025;  
**3** - 45000008; 45000011; **M8x30**

Just finger tight all bolts and nuts - **Do Not tighten yet.**



## Step 7

Once everything is correctly fitted,  
**Give the final torque on all bolts.**

*Be in mind to follow the tightening order of this manual.*



## Step 8

Once everything is fully tightened, go to the front of the **AFN Side Step** and fit the supplied cable holder with part number **47002026**.

Bolts needed:  
**1** - 45001109; **M6x20**

Just finger tight all bolts and nuts - **Do Not tighten yet.**



*Please note that the bolt fitted in the chassis must enter in the gap above, and then full tight (#see next page).*

## Step 8

Once the cable holder is secured, fit on the other side of this part to secure it to the **AFN Side Step**, as showed.

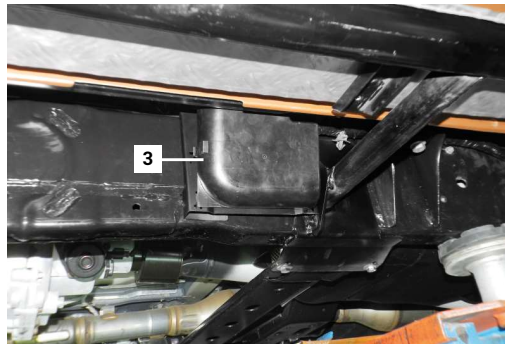
Bolts needed:

- 1 - 45001109; **M6x20** (from previous step).
- 2 - 4501109; **M6x20**

**Give the final torque.**

Then, fit the **OEM\*** cover removed on **#step 2**.

- 3 - **OEM\*** cover;



## Step 9

If you have the **AFN NERF BARS**, please ignore this step and **proceed directly to Step 11**.

Fit part number **47001882**.

Bolts needed.

- 1 - 45000015; 45000039;
- M10x25**

**Give the final torque.**



## Step 10

Your new **AFN SIDE STEPS** are now installed on your **Nissan NAVARA NP300!**

Have Fun!



## Reminder !

Before operating a vehicle fitted with an AFN Side Steps:  
 - Make sure all fittings are tightened

## Maintenance | Care

Periodically check and tighten all nuts. Stripped, fractured or bent bolts or nuts need to be replaced.

## NERF BARS - 48002382

### Step 11

Fit the **AFN Nerf Bar** on the **AFN Side Bar** part number **47001872**.

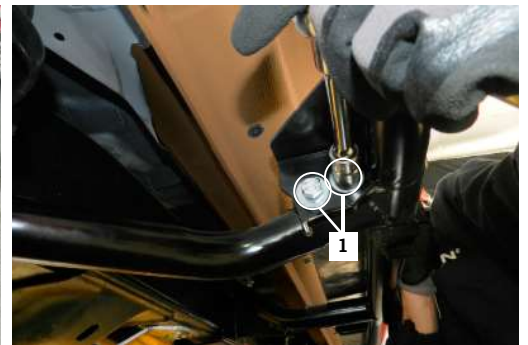
Bolts needed.

1 - 45000015; 45000039;

M10x25

**Give the final torque.**

Please note that the **AFN Nerf Bars** will only be fitted in a **AFN Side Steps**.



### Step 12

Fit the **bracket** part number **46006741**, joining the **AFN Nerf Bar** on the **AFN Bull Bar**.

Please note that the **AFN Nerf Bars** will only be fitted in the **AFN Bullbars (48002320 / 48002421)**.



Parts needed:

1 - 46006741;

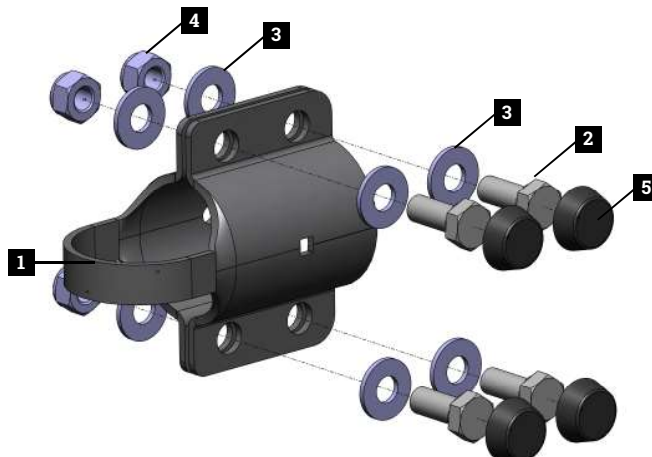
2 - 45000015; M10x25

3 - 45000039; M10

4 - 45000017; M10

5 - 45000032; M10

**Give the final torque.**



## 3 D-MAX CATALOGUE

**AFN 4x4 Accessories** is becoming a well known brand for its products due to its quality, design and safety which are challenged for thousands of people everyday, worldwide.

In its diversity of products we can include, with all-terrain quality, protection, safety and aesthetic accessories. With that being said, **AFN 4x4** has some other accessories that every offroad passionate would like to have, such as **Body Protections, Underbody Protections, Light Holders, Storage** (Wheel Supports and Jerry-can carriers) and others related to the **Aesthetics**.

We have some 4x4 accessories that combine with the original model lines that if you take a closer look you will see that they don't appear to be an accessory, but a must-have.

Please be in mind that some accessories are available only to some models.

Feel free to check all the products that may interest you in our website at: [www.afn.pt](http://www.afn.pt)



Ref.: 48002320 - Bull Bar with fog lights



Ref.: 48002319 - Front Bumper



Ref.: 48002381 - Side Steps



Ref.: 48002382 - Nerf Bars



Ref.: 48002311 - Rear Step Bar w/ trailer hitch



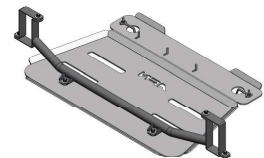
Ref.: 48002310 - Rear Bumper w/ Wheel and Jerry-can carrier



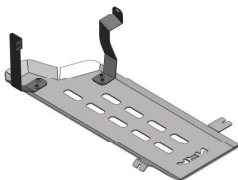
Ref.: 48002314 - Sump Skid Plate (\*Al)



Ref.: 48002315 - Gearbox Skid Plate (\*Al)



Ref.: 48002316 - Transfer Box Skid Plate (\*Al)



Ref.: 48002317 - Fuel tank Skid Plate (\*Al)

\*Al - Aluminium



## 4 WARRANTY TERMS

**AFN4x4** products are warranted free from defects in materials and workmanship for a period of two (2) years from the date of initial retail purchase. Third-party components are delivered under the original manufacturer warranty.

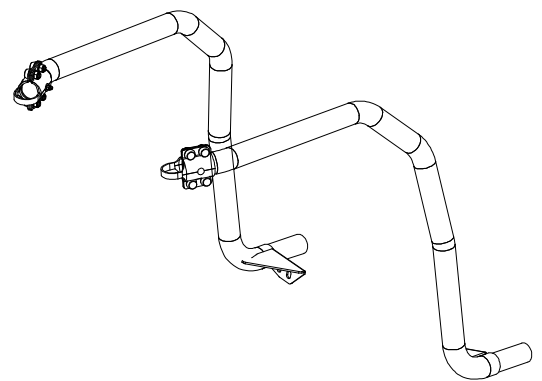
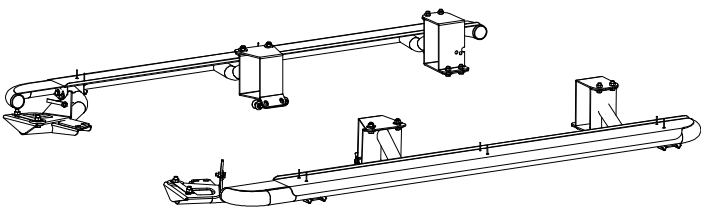
Under the present warranty, **AFN4x4** obligation shall be limited to repairing, replacing or crediting, at its option, any part found to be defective.

**AFN4x4** does not warrant or make any representations concerning its goods when:

- a) The products are purchased used, scratch and dent or when the box was opened.
- b) The products are not installed, used, and maintained strictly in accordance with **AFN4x4**'s instructions.
- c) The products are installed in vehicles that are used in competition.
- d) The products are installed in vehicles fitted with aftermarket non-standard tires with diameters in excess of OEM\* specifications.
- e) The products are installed in vehicles with engines that have been modified to increase performance.

**AFN4x4** will not be responsible for goods damaged in transit. If any goods arrive damaged, please contact the **AFN4x4** as soon as possible. **AFN4x4** will assess and may arrange to have the damaged goods returned to a **AFN4x4** Distributor and arrange for a replacement of the goods. Damaged goods must be returned in the condition received by you with all original packaging, accessories and/or manuals. If they are not returned in same condition sent there may be an additional fee charged.

To file a claim under this warranty please contact **AFN4x4** at +351 256 808 300 or via email at [geral@afn.pt](mailto:geral@afn.pt) to request a *Returned Goods Authorization (RGA)* number and instructions for returning the defective component.



**5 AFN 4x4 PARTNERS**



**01**

**Portugal**

Rua da Madeira, 113  
Z. Industrial das Travessas  
3700-176 S. João da Madeira

T:(00351) 256 838 300/7  
geral@afn.com  
www.afn.com

**02**

**Espanha**

Carretera de Moledo 8  
pol. ind. de Miraflores, Nave 20  
36214, Vigo (Pontevedra)

T:(0034) 986 378338  
info@4x4misutonida.com  
www.4x4misutonida.com

**03**

**Austrália**

19 Flinders Parade  
North lakes  
QLD 4509

T:(0061) 1300 236 494  
sales@afn4x4.com.au  
www.afn4x4.com.au

**04**

**Costa Rica**

Fort overlanding CR,  
Alajuela

T:(0011) 506 8430 0211  
info@fortoverlanding.com  
www.fortoverlanding.com



DON'T JUST SETTLE FOR THE SAME OLD BULL



WWW.AFN.PT | SALES@AFN.PT | FACEBOOK.COM/AFN4X4

# WELCOME TO THE AFN FAMILY



União Europeia

Fundo Europeu de  
Desenvolvimento Regional

