

CRAFTED LIKE NO OTHER

DON'T JUST SETTLE
FOR THE SAME
OLD BULL

OWNER MANUAL

VOLKSWAGEN
AMAROK V6 2017+

AFN[®]
4 X 4 ACCESSORIES



WELCOME TO THE AFN FAMILY

This manual contains the **Volkswagen AMAROK V6 +2017** fitting instructions for:
Rear Step Bumper w/ trailer hitch Ref.: 48002274

1 INTRODUCTION



The Company

Founded in 1995, AFN - 4x4 Accessories dedicates itself to the production and commerce of all-terrain accessories. Its constant concern in its customers total satisfaction, and in the ideals of innovation and transformation have granted a position of notability both in the national and international panorama.

The only company in Portugal in the mass production of 4x4 accessories, relies on specialized and experienced technicians, with the most adequate knowledge, to an efficient response capability to its customers demands.

Thanks to the specialization in the several areas of design and manufacture and to a constant investment in technology, AFN has been broadening its wide range of products, without ever neglecting the quality factor.

4x4 Accessories

In its diversity of products we can include, with all-terrain quality, protection, safety and aesthetic accessories.

And it is here that AFN invest on the best technology, the best cut precision of the raw material, and the transformation of products with the quality recognized in the marketplace.

AFN has, at its disposal, resources to test and analyse the resistance of its products and stands in the front row regarding the European homologation of materials dedicated to all terrain.

The contact with the most important test laboratories for vehicles, both in England, Spain and Germany, provides AFN with the know-how to manufacture a wide range of quality products.

Our Design Approach

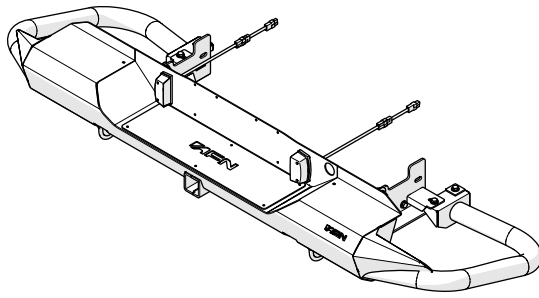
AFN designs each accessory taking into consideration the original model lines and fixing points. We refuse to have a "one design fits all" solution and we are always looking forward to embrace new challenges on how to adjust a new product into a new model!

The days of just throwing on a bit of steel together to form a protection system are gone. AFN is leading the way modern vehicle protection components are manufactured. Other will follow, and it won't be long where the AFN approach to Styling, Fit, Form and Function will become the benchmark for all other manufacturers.





INDEX



AFN 4x4 Accessories

Product: **Rear Step Bar w/ trailer hitch**

Part Ref.: **48002274**

Introduction	2
1 Checklist	4
Product 48002274	
2 Fitting Instructions	6
3 AMAROK V6 Catalogue	19
4 Warranty Terms	20
5 AFN 4x4 Partners	21



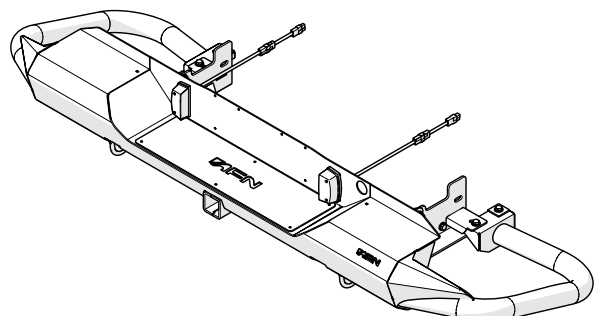
1 CHECKLIST

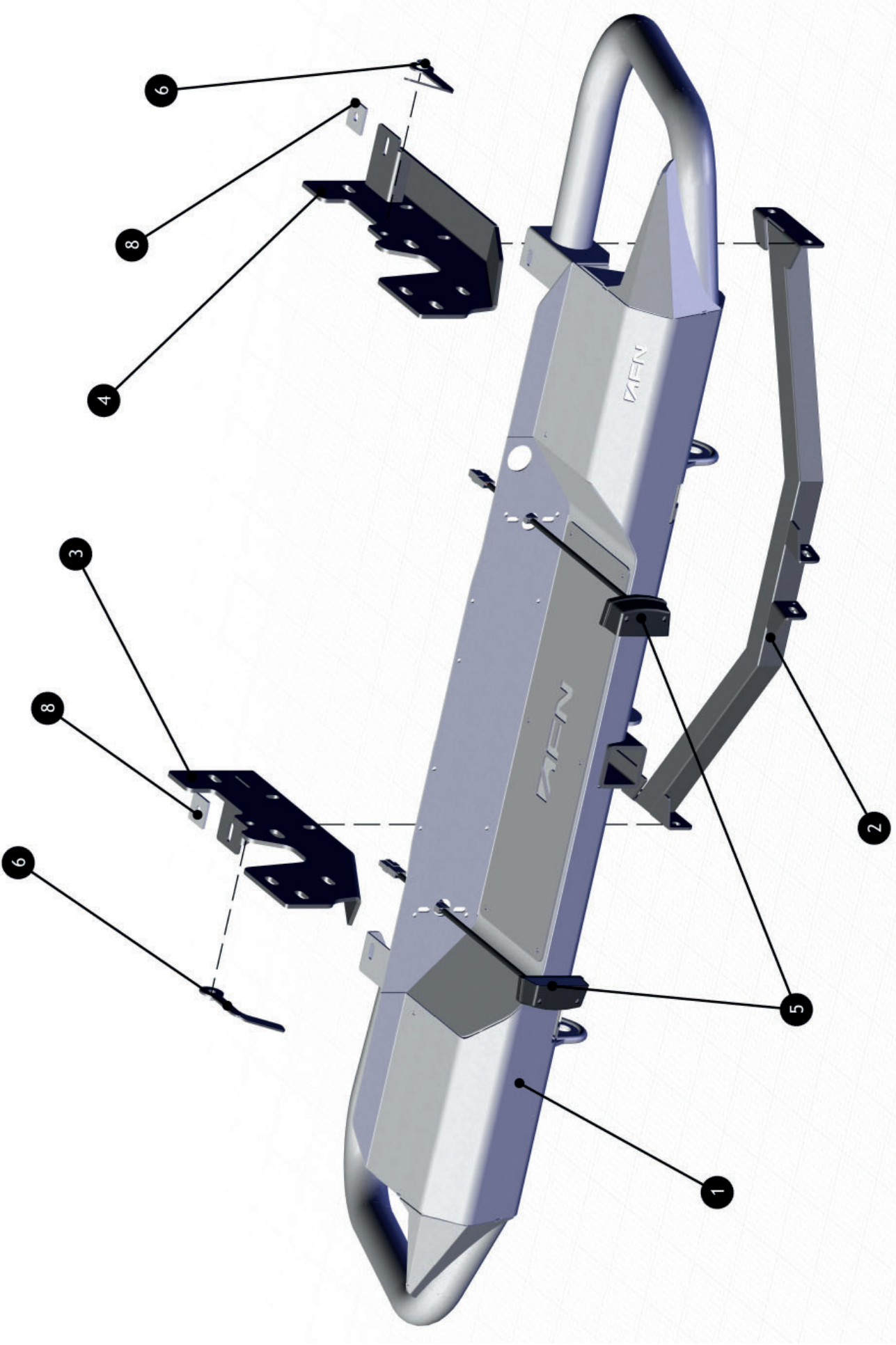


- In this section you have a checklist with all parts included for the installation of your AFN product
- This product should be installed as demonstrated in the product fitting instructions
- If verified that any component is damaged, please contact your nearest AFN distributor
- The specified parts will only fit in the models specified by AFN
- Do not modify any component of the product

This checklist is for product **48002274**.

NUMBER	DESCRIPTION	REFERENCE	QTY
1	Rear Step Bar Amarok	47001687	1x
2	Rear Step Reinforcement (<i>Central</i>)	47001729	1x
3	Rear Step Reinforcement (<i>Left Side</i>)	47001689	1x
4	Rear Step Reinforcement (<i>Right Side</i>)	47001688	1x
5	Plate Bracket Light	47001233	2x
6	Plate Nut M10	47000894	2x
7	Parking Sensors Brackets	48002404	4x
8	Square Washer 41x41mm (<i>4mm thickness</i>)	46006314	2x
9	Washer M12	45001253	12x
10	Washer M10	45001254	22x
11	Bolt M10x30	45001519	12x
12	Bolt M12x40	45001544	1x
13	Bolt M12x35	45001545	7x
14	Nylock Nut M10	45001554	10x
15	Nylock Nut M12	45001558	6x
16	Nut M12	45001559	2x





2 FITTING INSTRUCTIONS

WARNING:

Before you begin installation, read all instructions thoroughly.
 Proper tools will improve the quality of installation and reduce the time required.

- This product should be installed as demonstrated in the *Product «Fitting Instructions»*;
- The specified parts, will only fit the models specified by **AFN**;
- Do not modify any component of the product;
- It is recommended that this product is installed by specialized and trained personnel;
- AFN doesn't take responsibility for changes made in the vehicle by its manufacturer;
- Work safely and use specialized tools at all times;
- **Always use protective gear.**

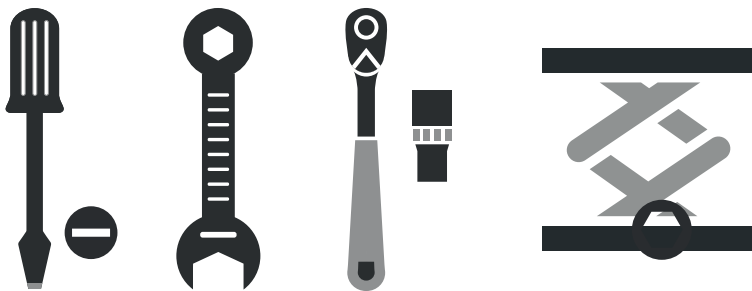


Size	Torque Nm	Torque lbft
M6	9 Nm	7 lbft
M8	22 Nm	16 lbft
M10	44 Nm	32 lbft
M12	77 Nm	57 lbft

Mouting Time

- 3 hours
- 2 persons (recommended)

Tools Required



- Screwdriver flat head
- Wrench
- Ratchet wrench
- Lift

Step 1

Start by placing the **Vehicle** in a Lift.

Lift the vehicle.
(we do recommend the use of a lift)



Step 2

Once the vehicle is ready, remove the **License Plate**.

(Be aware that you must save the OEM* bolts)

License Plate will be fitted again later on.



Step 3

Once that is done, it's time to remove the OEM* Rear Bumper.

2x Bolts.

Repeat this step for the other side.



Step 4

If you done correctly, this is what it should look like.

Then, place the OEM Rear Bumper in a flat working surface.

The Rear parking Sensors must be removed from the bumper, so we can install them in the **AFN Rear Step Bar(1)**.



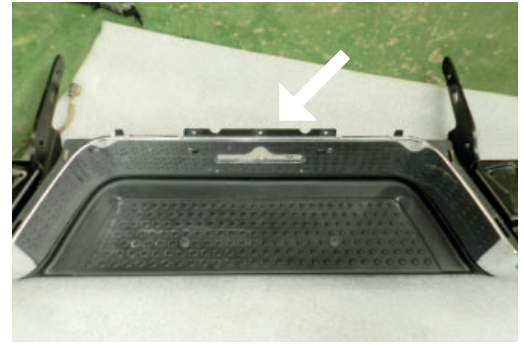
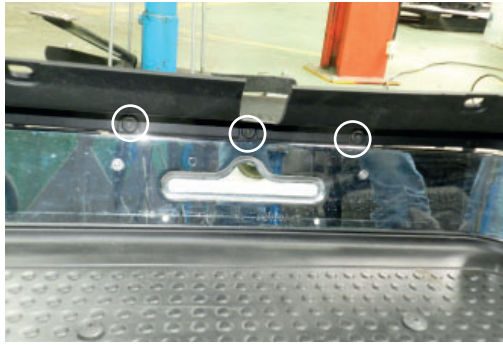
*OEM - Original Equipment Manufacturer

Step 5

Start by removing the **Top Plastic** from the **OEM* Rear Bumper**.

3x Bolts.

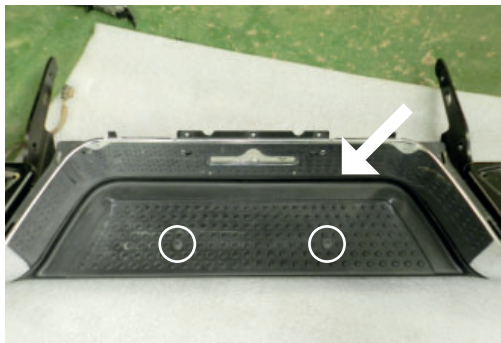
(Be aware that you must save the OEM bolts)*



Step 6

Then remove both bolts of the Step, see image.

(Be aware that you must save the OEM bolts)*

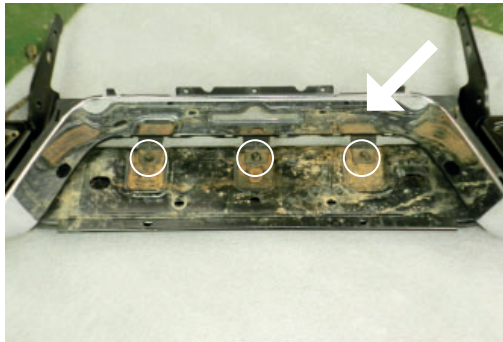


Step 7

Finally, remove the last part from **OEM* Rear Bumper**, which has the **Rear Parking Sensors**.

3x bolts in the middle, plus 2x bolts on each side.

(Be aware that you must save the OEM bolts and nuts.)*



Step 8

If you done correctly, this is what it should look like.

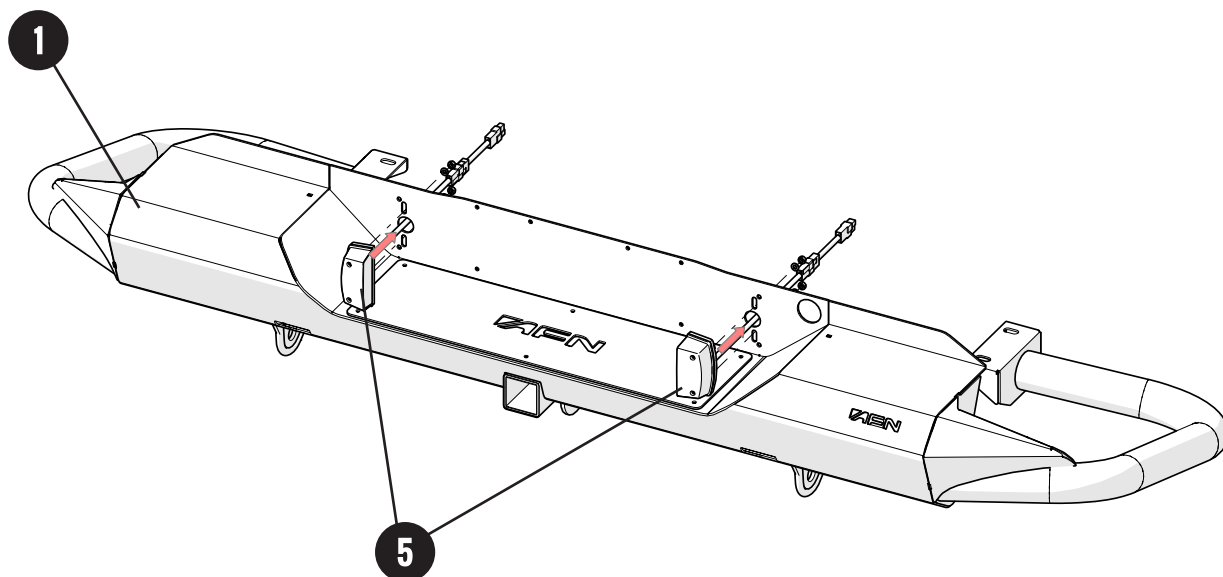
Once both parts are separated, remove the **Rear Parking Sensors** from the **OEM Rear Bumper**.



*OEM - Original Equipment Manufacturer

Step 9 - Preparation of the AFN Rear Step

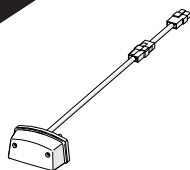
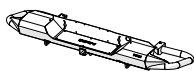
Preview



Parts needed:

1

5



x1 Rear Step Bar Amarok V6 x2 Plate Bracket Light

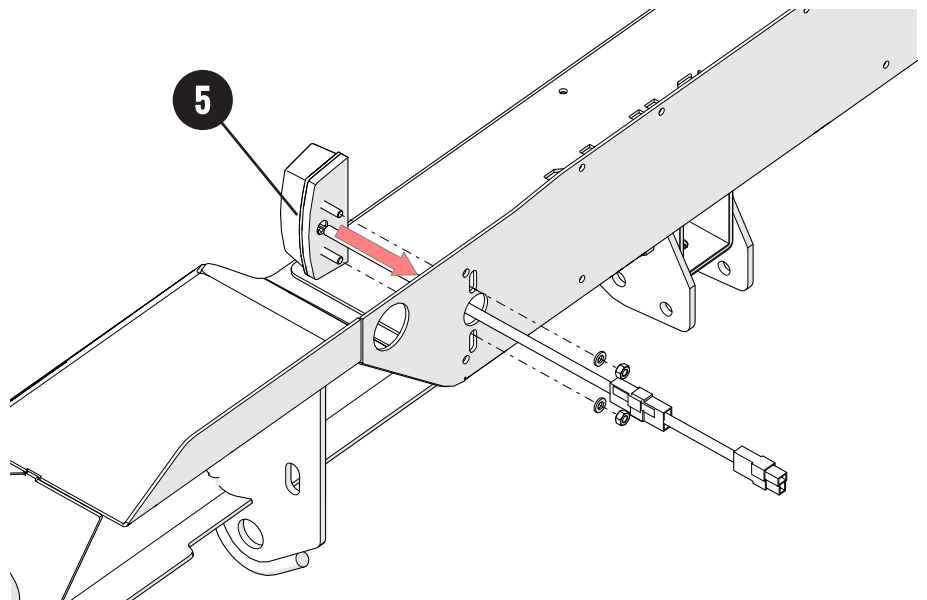
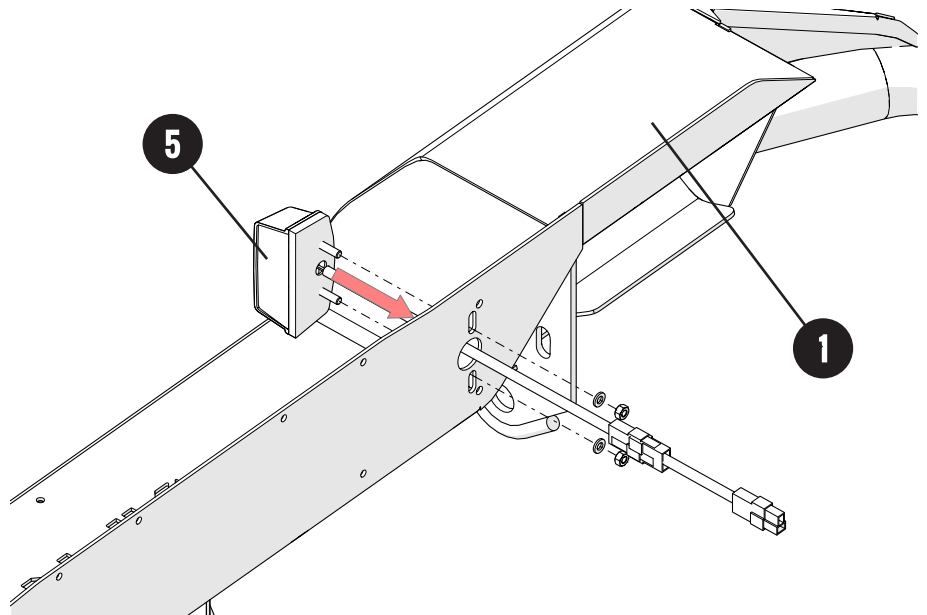
Step 9 - Preparation of the AFN Rear Step**Installation****ATTENTION!**

The following step **only applies if the Plate Bracket Lights are not mounted**, or if by any case there is a need to dismount it. **Proceed to next Step.**

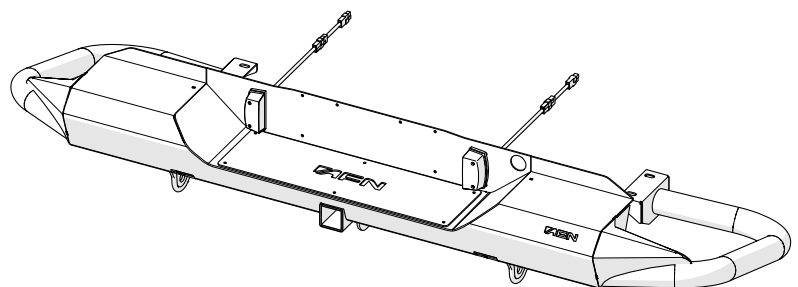
Before inserting the **AFN Rear Step Bar(1)** on the vehicle there are some details that we advise to do first (so, place it on a flat working surface).

Start by fitting both **Plate Bracket Lights(5)**, using 2x Washers M6 and 2x Nuts M6, as showed. **(They go with Plate Bracket Light kit)**

Give the final torque.

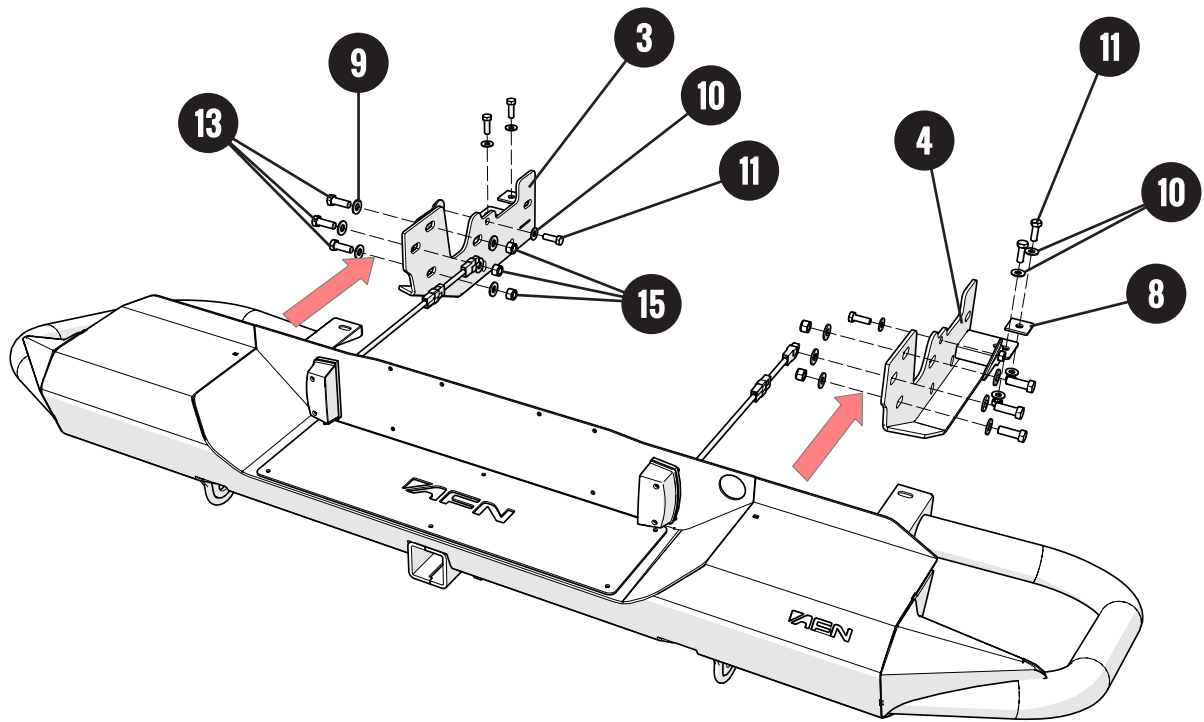


If you done it correctly it should look like the image on the right.

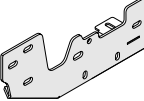
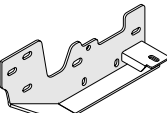
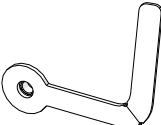
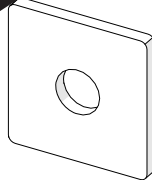
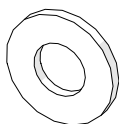
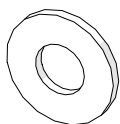
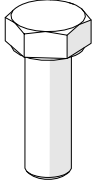
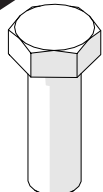
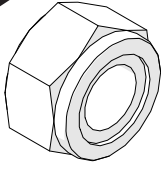
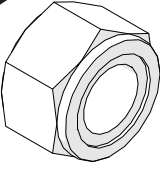


Step 10 - Fitting the AFN Rear Step Bar in the Chassis

Preview



Parts needed:

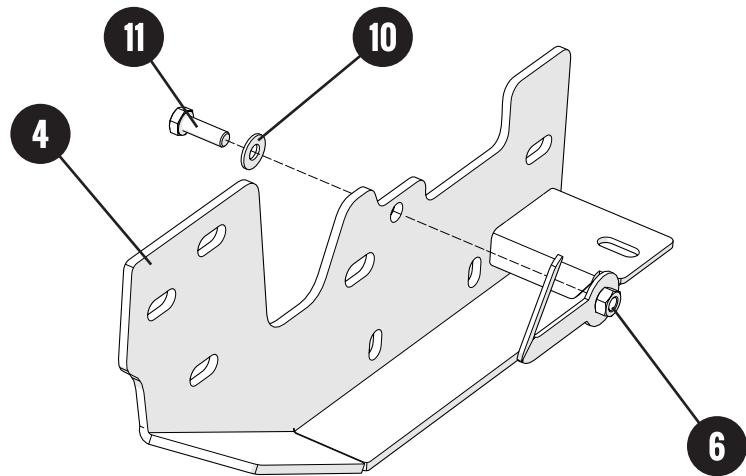
- | | | | | | |
|--|--|--|--|---|--|
| 3
 | 4
 | 6
 | 8
 | 9
 | 10
 |
| x1 Rear Step Reinforcement
Left Side | x1 Rear Step Reinforcement
Right Side | x2 Plate Nut M10 | x2 Square Washer 41x41mm
4mm thickness | x12 Washer M12 | x10 Washer M10 |
| 11
 | 13
 | 14
 | 15
 | | |
| x6 Bolt M10x30 | x6 Bolt M12x35 | x4 Nylock Nut M10 | x6 Nylock Nut M12 | | |

Step 10 - Fitting the AFN Rear Step Bar in the Chassis**Installation**

Start by fitting the **Right Rear Step Reinforcement(4)** into the **Vehicle**.

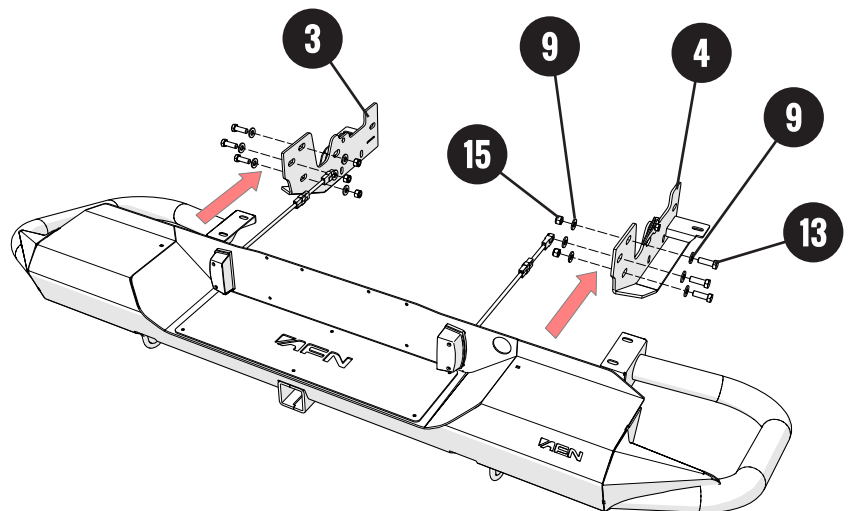
Use 1x Bolt M10x30(11) with 1x Washer M10(10) and Plate Nut M10 (6).

Repeat this step for the other side, using **Left Rear Step Reinforcement(3)**.



Then, take on the **AFN Rear Step Bar(1)** and place it above both **Left Reinforcement(3)** and **Right Reinforcement(4)**, previously fitted.

Use 6x Bolts M12x35(13) with 12x Washers M12(9) and 6x Nylock Nuts M12(15).



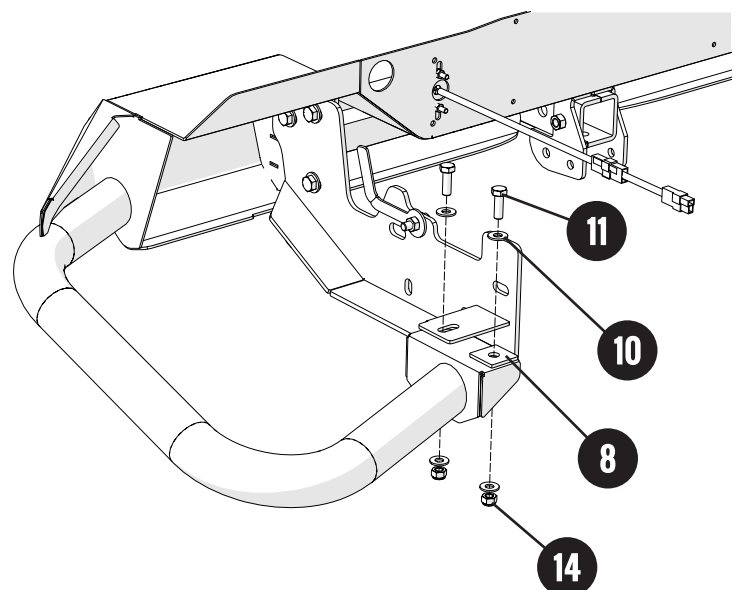
Just finger tight all bolts

Do Not tighten yet.

Finally, fit the rear part on both **Left Reinforcement(3)** and **Right Reinforcement(4)**, previously fitted.

Use 2x Bolts M10x30(11) with 4x Washers M10(10) and 2x Nylock Nuts(14).

Please note that in the most distant bolt there is 1x Square Washer (8), that will act as a **shim**.

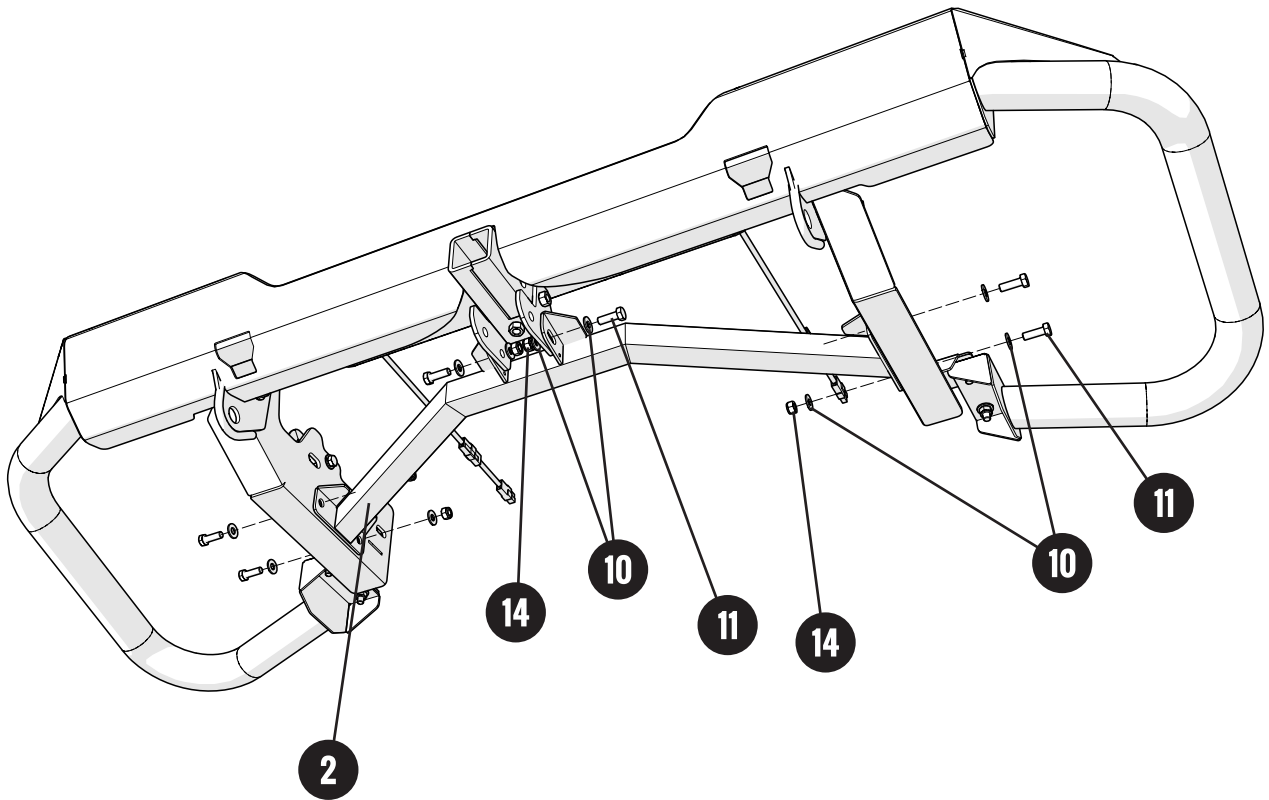


Just finger tight all bolts

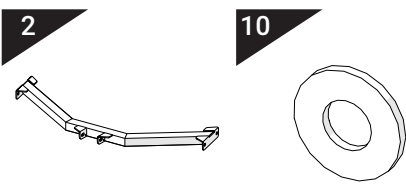
Do Not tighten yet.

Step 11 - Fitting the Reinforcement in the AFN Rear Step Bar

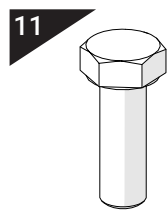
Preview



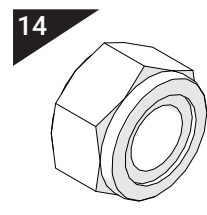
Parts needed:



x1 Rear Step Reinforcement Central x12 Washer M10



x6 Bolt M12x40



x6 Nylock Nut M10

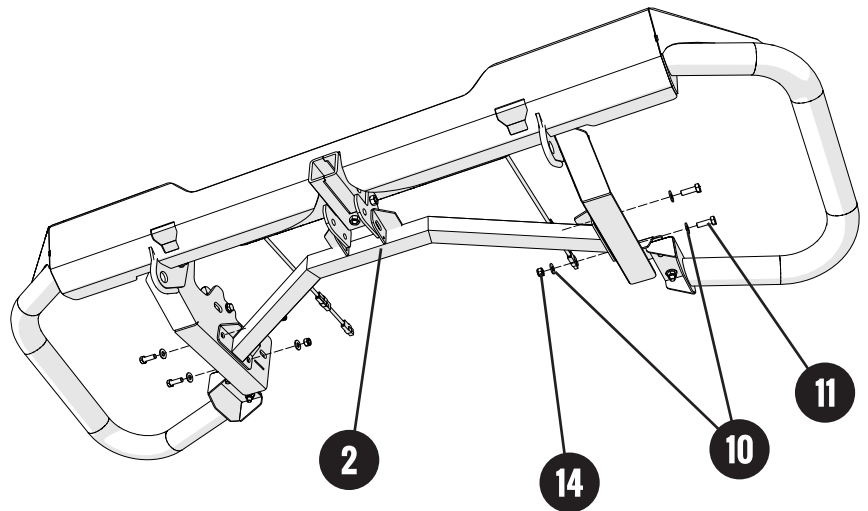
Step 11 - Fitting the Reinforcement in the AFN Rear Step Bar**Installation**

Take on **Rear Step Reinforcement(2)** and fit it in **AFN Rear Step Bar(1)**, as showed in the image on the right.

Use 4x Bolts M12x40(**11**) with 8x Washers M12(**10**) and 4x Nylock Nuts M12(**14**).

Just finger tight all bolts

Do Not tighten yet.

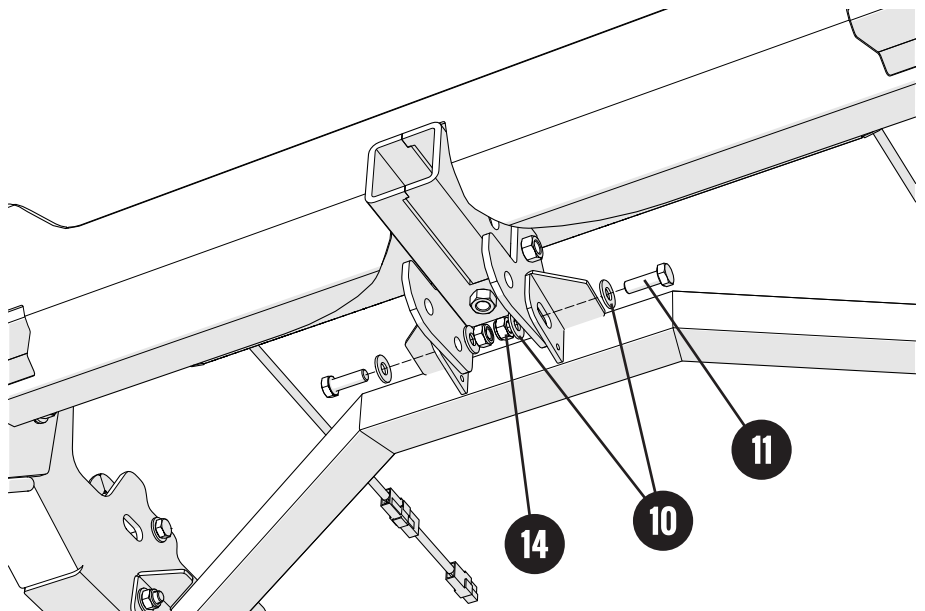


Then, fit the front part of the **Rear Step Reinforcement(2)** in the **AFN Rear Step Bar(1)**.

Use 2x Bolts M12x40(**11**) with 4x Washers M12(**10**) and 2x Nylock Nuts M12(**14**).

Just finger tight all bolts

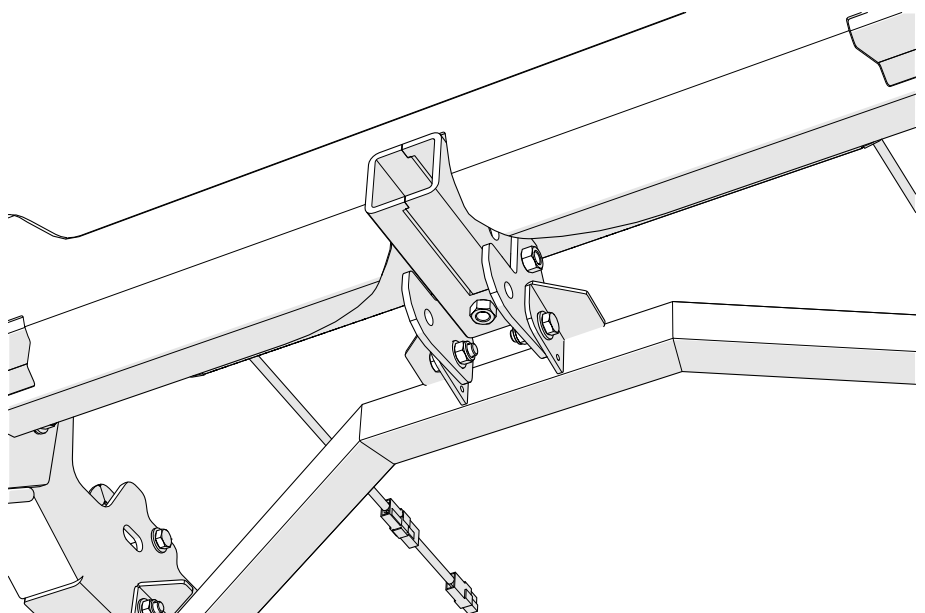
Do Not tighten yet.



Once that is done, adjust the best way the **AFN Rear Step Bar(1)** to the chassis.

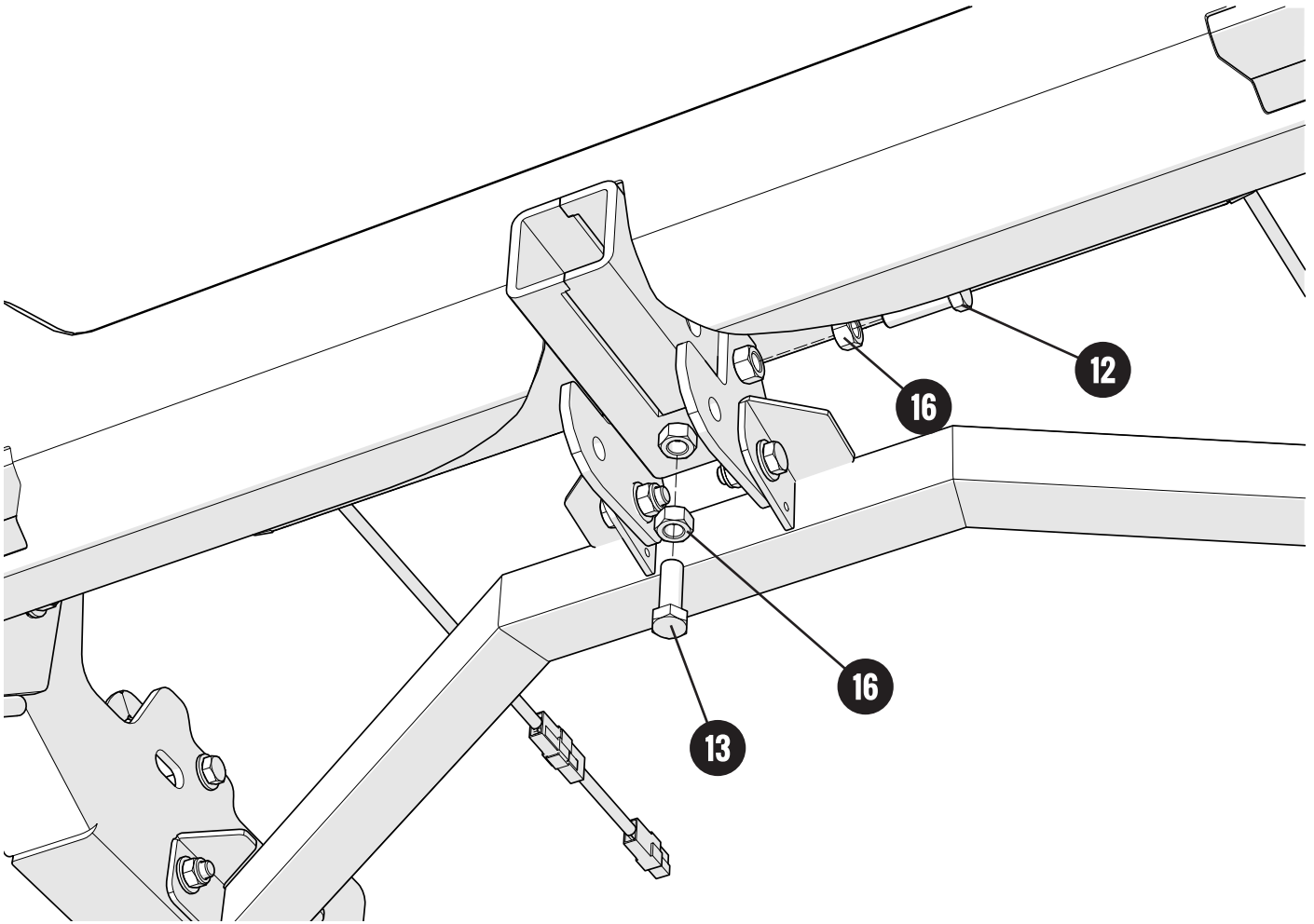
Follow the tightening order present in this manual.

Give the final torque.

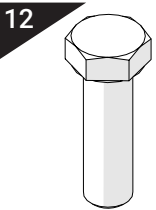


Step 12 - Fitting the Tow Bar fixings (if used)

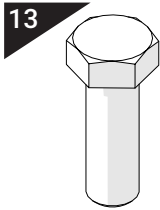
Preview



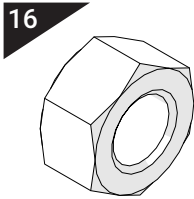
Parts needed:



x1 Bolt M12x40



x1 Bolt M12x35



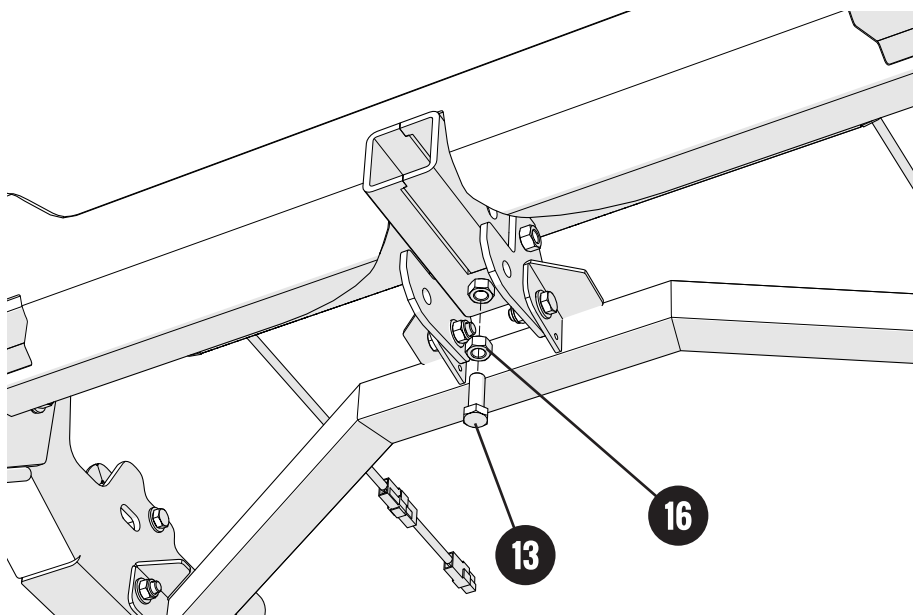
x2 Nut M12

Step 12 - Fitting the Tow Bar fixings (if used)**Installation**

The following two bolts are made for when you attach the towbar, you may adjust it the best way and correctly secure it.

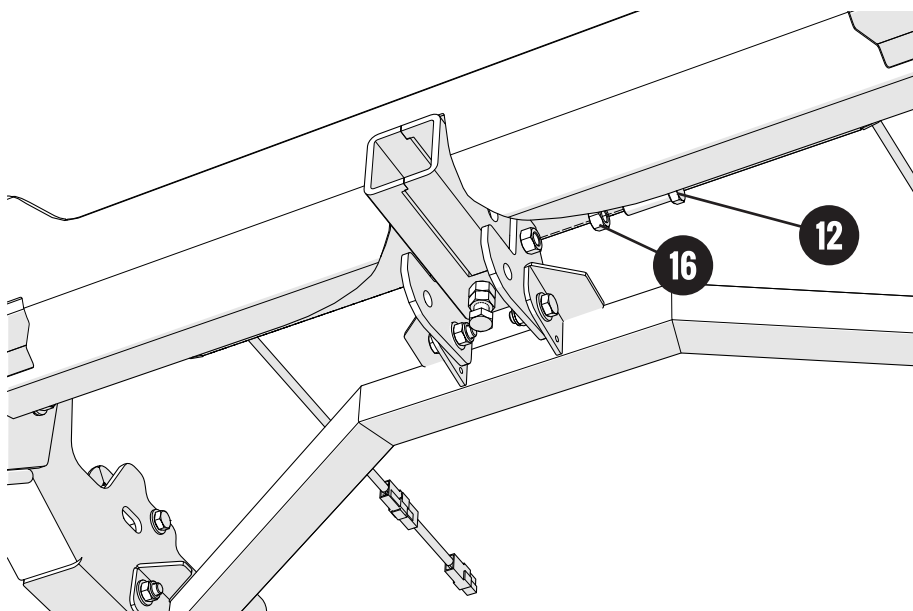
So, start by the bottom and use 1x Bolt M12x35(**13**) with 1x Nut M12(**16**), as showed in the image.

Give the final torque.



Then, fit the side using 1x Bolt M12x40(**12**) with 1x Nut M12(**16**), as showed in the image.

Give the final torque.



Step 8 - Final Result

Preview



Your new **AFN REAR STEP BAR / REAR Bumper** is now installed on your **Volkswagen AMAROK V6!**
Have Fun!

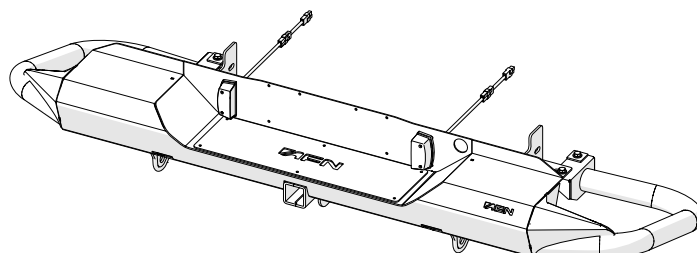
Reminder !

Before operating a vehicle fitted with an AFN Rear Step:

- Make sure all fittings are tightened
- Check all electrical wiring attached to lights and parking sensors (if installed)

Maintenance | Care

Periodically check and tighten all nuts. Stripped, fractured or bent bolts or nuts need to be replaced.





3 AMAROK V6 CATALOGUE

AFN 4x4 Accessories is becoming a well known brand for its products due to its quality, design and safety which are challenged for thousands of people everyday, worldwide.

In its diversity of products we can include, with all-terrain quality, protection, safety and aesthetic accessories. With that being said, **AFN 4x4** has some other accessories that every offroad passionate would like to have, such as **Body Protections, Underbody Protections, Light Holders, Storage** (Wheel Supports and Jerry-can carriers) and others related to the **Aesthetics**.

We have some 4x4 accessories that combine with the original model lines that if you take a closer look you will see that they don't appear to be an accessorie, but a must-have.

Please be in mind that some accessories are available only to some models.
 Feel free to check all the products that may interest you in our website at: www.afn.pt



Ref.: 48002208 - Front Bumper



Ref.: 48001591 - Bull Bar with fog lights



Ref.: 48002428 - Side Steps



Ref.: 48002274 - Rear Step Bar w/ trailer hitch



Ref.: 48002429 - Nerf Bars



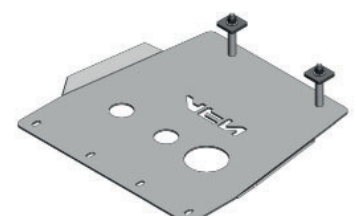
Ref.: 48001668 - Rear Bumper w/ Wheel and Jerry-can carrier



Ref.: 48001669 - Sump Guard Skid Plate (*Al)



Ref.: 48001595 - Fuel Skid Plate (*Al)



Ref.: 48001593 - Gearbox Skid Plate (*Al)



Ref.: 48002417 - Transfer Box Skid Plate (*Al)

4 WARRANTY TERMS



AFN4x4 products are warranted free from defects in materials and workmanship for a period of two (2) years from the date of initial retail purchase. Third-party components are delivered under the original manufacturer warranty.

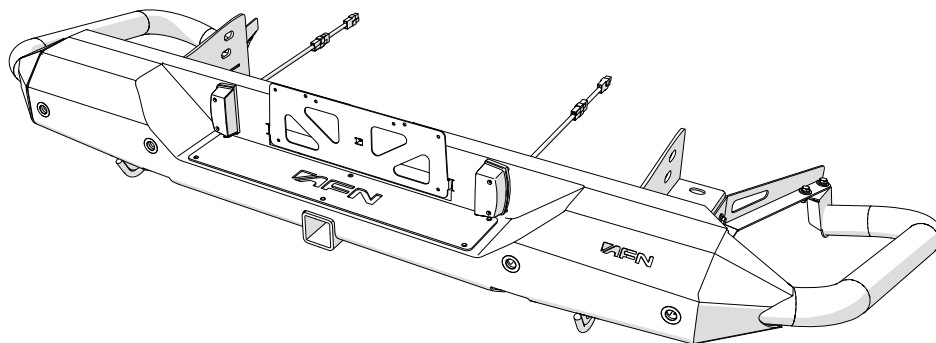
Under the present warranty, **AFN4x4** obligation shall be limited to repairing, replacing or crediting, at its option, any part found to be defective.

AFN4x4 does not warrant or make any representations concerning its goods when:

- a) The products are purchased used, scratch and dent or when the box was opened.
- b) The products are not installed, used, and maintained strictly in accordance with **AFN4x4**'s instructions.
- c) The products are installed in vehicles that are used in competition.
- d) The products are installed in vehicles fitted with aftermarket non-standard tires with diameters in excess of OEM* specifications.
- e) The products are installed in vehicles with engines that have been modified to increase performance.

AFN4x4 will not be responsible for goods damaged in transit. If any goods arrive damaged, please contact the **AFN4x4** as soon as possible. **AFN4x4** will assess and may arrange to have the damaged goods returned to a **AFN4x4** Distributor and arrange for a replacement of the goods. Damaged goods must be returned in the condition received by you with all original packaging, accessories and/or manuals. If they are not returned in same condition sent there may be an additional fee charged.

To file a claim under this warranty please contact **AFN4x4** at +351 256 808 300 or via email at geral@afn.pt to request a *Returned Goods Authorization (RGA)* number and instructions for returning the defective component.





5 AFN 4x4 PARTNERS



01

Portugal

Rua da Madeira, 113
Z. Industrial das Travessas
3700-176 S. João da Madeira

T:(00351) 256 838 300/7
geral@afn.com
www.afn.com

02

Espanha

Carretera de Moledo 8
pol. ind. de Miraflores, Nave 20
36214, Vigo (Pontevedra)

T:(0034) 986 378338
info@4x4misutonida.com
www.4x4misutonida.com

03

Austrália

19 Flinders Parade
North lakes
QLD 4509

T:(0061) 1300 236 494
sales@afn4x4.com.au
www.afn4x4.com.au

04

Costa Rica

Fort overlanding CR,
Alajuela

T:(0011) 506 8430 0211
info@fortoverlanding.com
www.fortoverlanding.com

DON'T JUST SETTLE FOR THE SAME OLD BULL



WWW.AFN.PT | SALES@AFN.PT | FACEBOOK.COM/AFN4X4

WELCOME TO THE AFN FAMILY



AFN
4x4 Accessories

