

48002190

AFN
acessórios 4x4



Checklist / Manual de Montagem - Base de guincho p/ p. choques origem - Toyota LC150



Checklist / Fitting Instructions - Winch mount plate OEM bumper - Toyota LC150



Despiezas / Instrucciones de montaje -



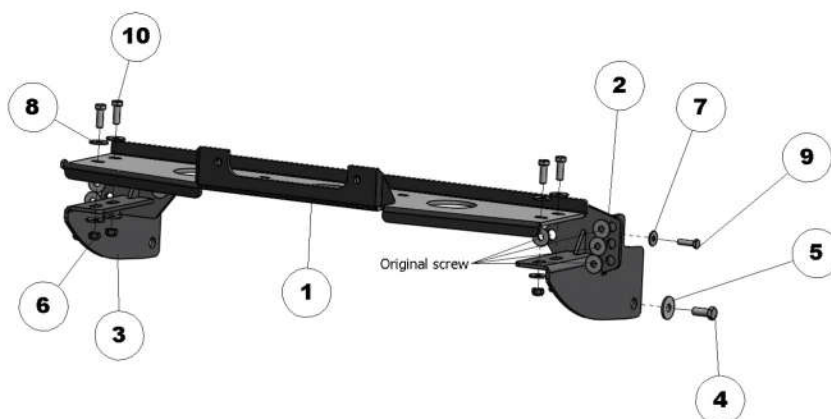
2h



x 2

1 x1 47001597		2 x1 47001596		3 x1 47001595		4 x2 45000104	
	<input type="checkbox"/>		<input type="checkbox"/>			<input type="checkbox"/> Prf. Sx. M12x30x1,25	<input type="checkbox"/>
4 x2 45000036		5 x4 45000017		5 x2 45000011		6 x16 45000010	
Anilha Aba Larga M12	<input type="checkbox"/>	Fêmea Freiada M10	<input type="checkbox"/>	Anilha aba larga M8	<input type="checkbox"/>	Anilha Aba Larga M10	<input type="checkbox"/>
6 x2 45000008		7 x4 45000007					
Prf. Cb. Sx. M8x30	<input type="checkbox"/>	Prf.Cb.Sx.M10x30x1,5	<input type="checkbox"/>				

Toyota Land Cruiser
LJ150 5 Doors (2014-)



Acessórios: ___ / ___ / ___ | Peças/Compostos: ___ / ___ / ___ | Artigo: ___ / ___ / ___ | Embalagem: ___ / ___ / ___

Thank you for choosing AFN products, a lot of time in R&D has gone into perfecting our products. However, if you find problems with any AFN products you have purchased, or if you have any information which would help us to improve our products, please let us know.

If you think there may be a problem either before or after fitting the AFN product, it is best to contact your nearest AFN distributor.

WARNING

- This product should be installed as demonstrated in the product fitting instructions.
- If verified that any component is damaged, please contact your nearest AFN distributor.
- The specified parts, will only fit the models specified by AFN.
- Do not modify any component of the product.
- It is recommended that this product is installed by specialised and trained personnel.
- AFN cannot be responsible for any changes made by the vehicle manufacturer.
- Work safely and use specialised tools at all times.
- Always use protective gear.



size	Torque Nm	Torque lbft
M6	9Nm	4 lbft
M8	22Nm	16 lbft
M10	44Nm	32 lbft
M12	77Nm	57 lbft

- Tools set required:



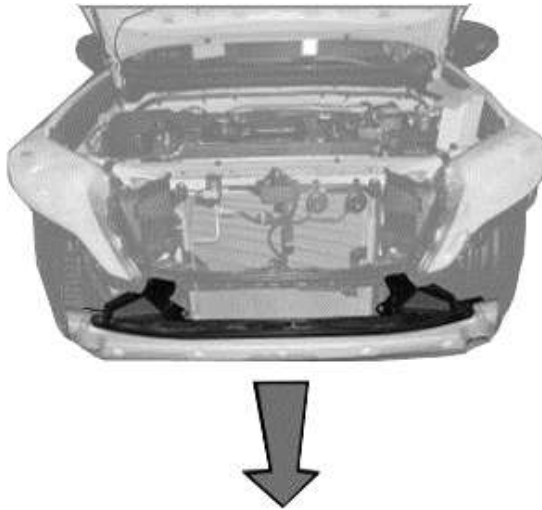
CONTACTS

R. da Madeira, nº 113
Z. Industrial das Travessas
3700-176 S. João da Madeira
Portugal

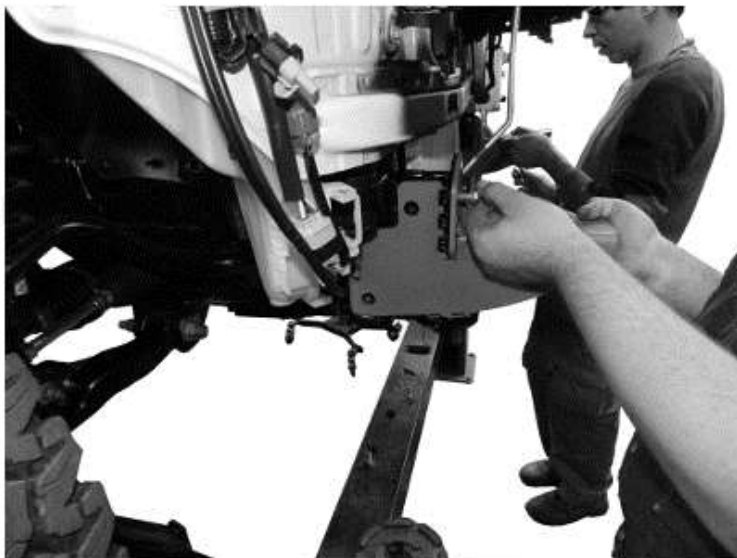
Tel.: (+351) 256 838 300
Fax: (+351) 256 838 305
www.afn.pt
geral@afn.pt

COORDINATES

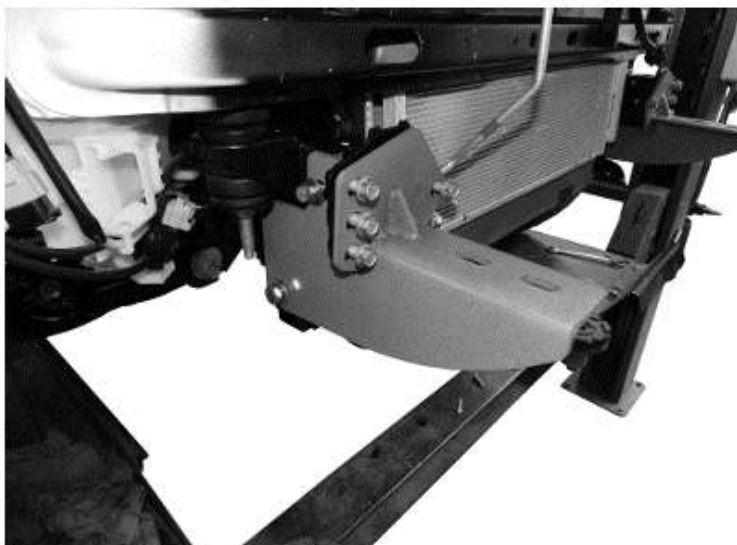
DATUM: European 79
UTM 05.44.100
29T 45.28.300
N 40°54' 14.0"
W 08°28' 35.0"

01

- Before assembling the AFN winch mount plate, please remove the OEM bumper,
- Also remove OEM grille

02

- Fit part number
- 1 - 46001595/ 46001596

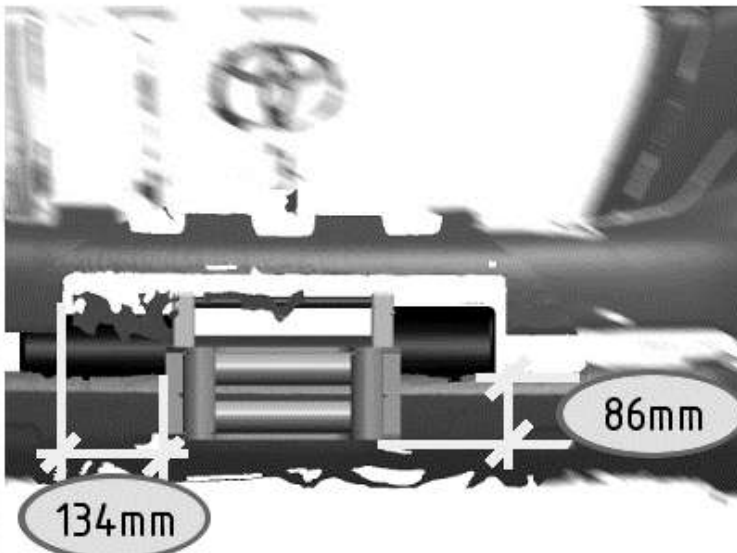
03

- Bolts needed
- 45000008/ 45000010/ 45000011/
 - 45000036/ 45000104/ original bolts

04

Please use the right torque on all the bolts.

(Use the table shown on the first page)

05

Please put the OEM bumper back again to make sure where needs to be cut.

If you are using fair leads, please use the following instruction to cut the OEM bumper.

06