

FITTING INSTRUCTIONS

WARNING:

Before you begin installation, read all instructions thoroughly.
Proper tools will improve the quality of installation and reduce the time required.

- This product should be installed as demonstrated in the *Product «Fitting Instructions»*;
- The specified parts, will only fit the models specified by **AFN**;
- Do not modify any component of the product;
- It is recommended that this product is installed by specialized and trained personnel;
- AFN doesn't take responsibility for changes made in the vehicle by its manufacturer;
- Work safely and use specialized tools at all times;
- **Always use protective gear.**

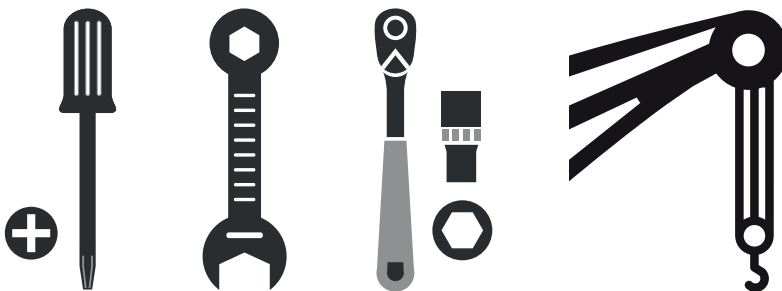


Size	Torque Nm	Torque lbft
M6	9 Nm	7 lbft
M8	22 Nm	16 lbft
M10	44 Nm	32 lbft
M12	77 Nm	57 lbft

Mouting Time

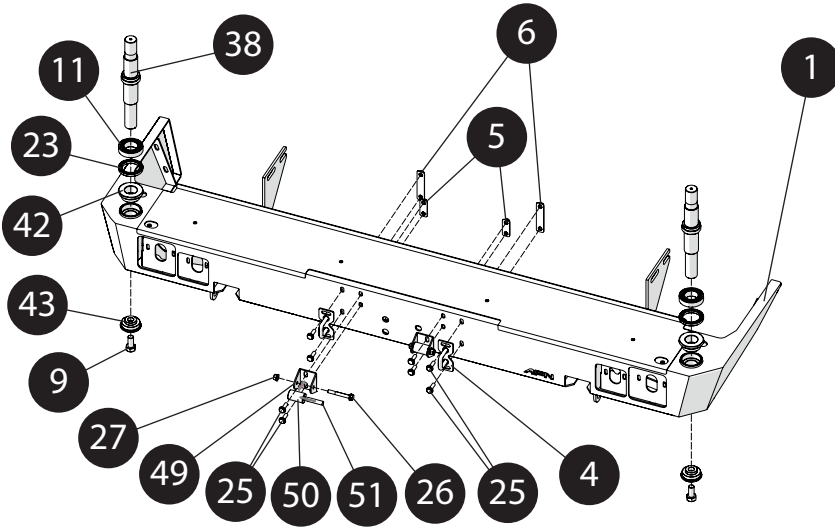
- 2 hours
- 1 persons (recommended)

Tools Required



- Screwdriver star head
- Wrench
- Ratchet wrench
- Crane

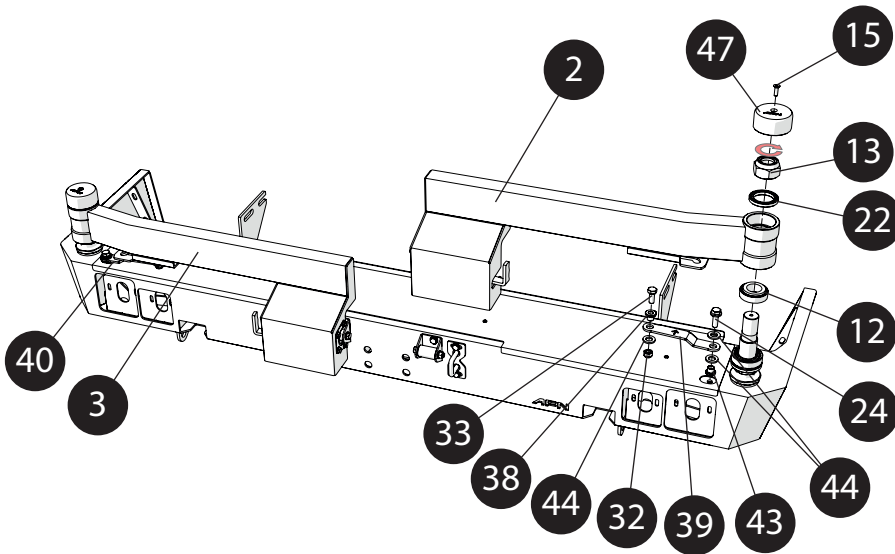
STEP1 - FITTING ARMS IN AFN REAR BUMPER



NUMBER	REF	QUANTITY
1	47001258	1x
4	47001111	2x
5	47001450	2x
6	47001451	2x
9	45000216	2x
11	45000871	2x
23	45001133	2x
25	45001240	8x
26	45001242	2x
27	45001247	2x
38	46002340	2x
42	46003951	2x
43	46004340	2x
49	46005514	2x
50	46005515	2x
51	46005516	2x

This step only applies if both Arms are not fitted in th AFN Rear Bumper(1).

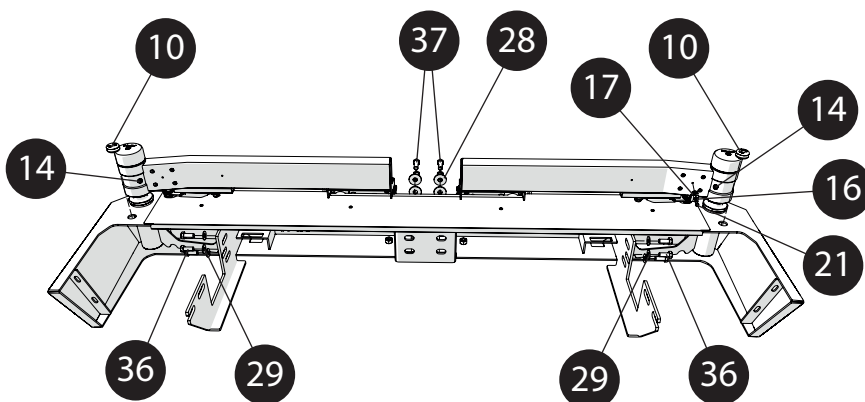
STEP1.1 - FITTING ARMS IN AFN REAR BUMPER



NUMBER	REF	QUANTITY
2	47001052	1x
3	47001053	1x
12	45000872	2x
13	45000874	2x
15	45000957	2x
22	45001132	2x
24	45001237	2x
32	45001554	2x
33	45001582	2x
38	46002997	2x
39	46003042	2x
40	46003043	2x
43	46004345	2x
44	46004358	6x
47	46005253	2x

This step only applies if both Arms are not fitted in th AFN Rear Bumper(1).

STEP2 - FITTING THE AFN REAR BUMPER IN VEHICLE (inner view)



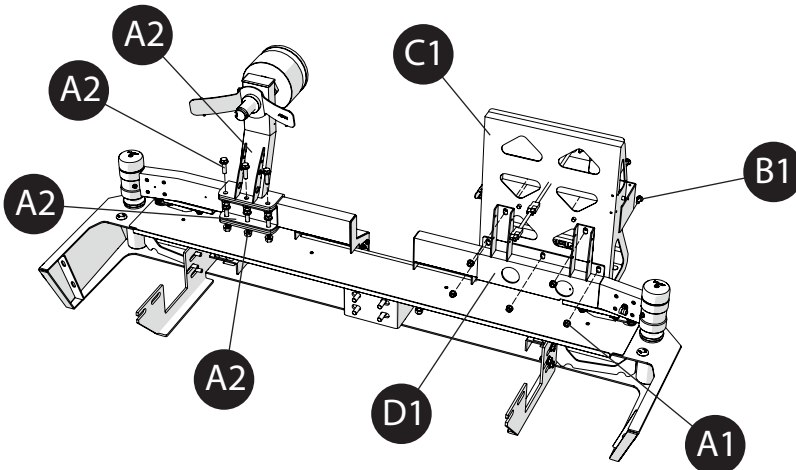
NUMBER	REF	QUANTITY
10	45000861	2x
14	45000889	2x
16	45001042	1x
17	45001049	1x
21	45001080	1x
28	45001550	4x
29	45001554	6x
36	45001589	6x
37	45001592	4x

Once that is done, fit the AFN Rear Bumper in the Vehicle.

Use 6x Bolts M10x25(36) with 6x Washers M10(29). In the center, use 4x Bolts M12x35(37) with 4x Washers M12(28).

Do not tighten yet.

STEP3 - FITTING WHEEL CARRIER AND JERRYCAN-HOLDER IN AFN REAR BUMPER



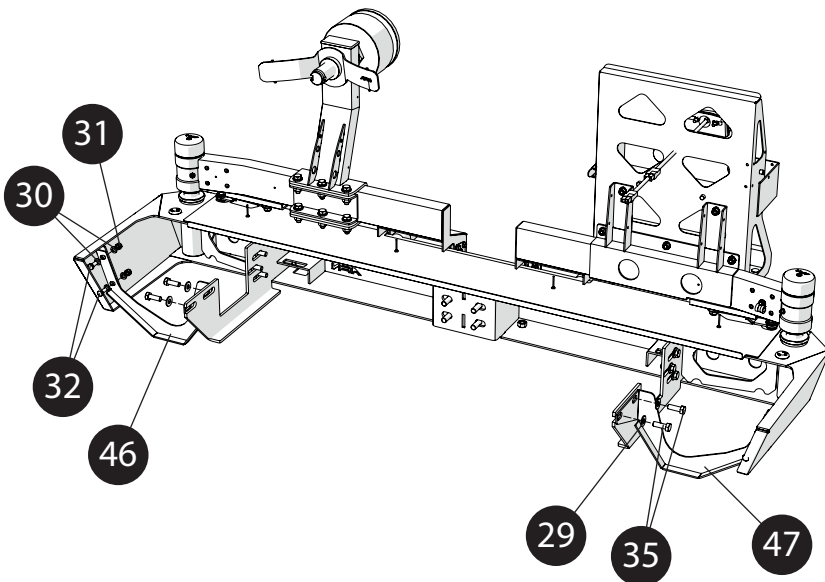
48001522

NUMBER	REF	QUANTITY
A1	45001247	10x
B1	45001260	10x
C1	46003334	1x
D1	47001696	1x

48001309

NUMBER	REF	QUANTITY
A2	45001238	6x
B2	45001248	6x
C2	46002408	1x
D2	47000800	1x

STEP4 - FITTING REINFORCEMENTS IN AFN REAR BUMPER (inner view)



NUMBER	REF	QUANTITY
29	45001254	4x
30	45001255	8x
31	45001521	4x
32	45001536	4x
35	45001588	4x
46	46004359	1x
47	46004360	1x

Once the **AFN Rear Bumper(1)** is secured, fit both Rear Bumper Reinforcements(**46**) and (**47**).

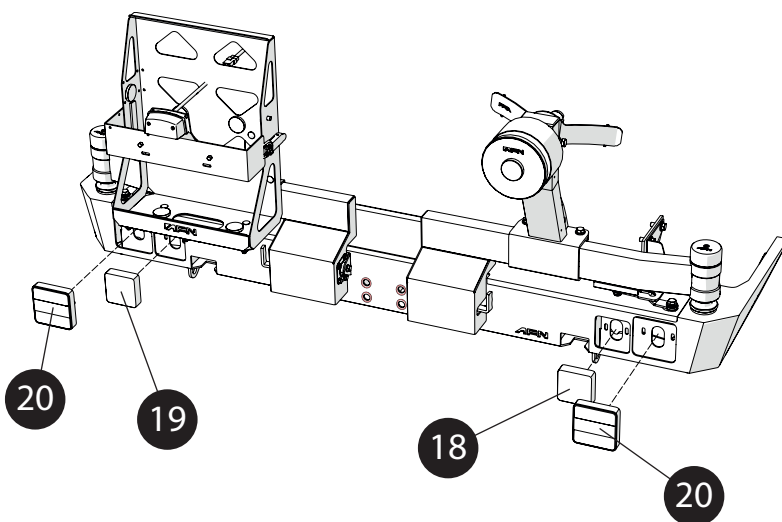
Use 4x Bolts M10x30(**35**) with 4x Washers M10(**29**).

Then, use 4x Bolts M8x20(**32**) with 8x Washers M8(**30**) and 4x Nylock Nuts M8(**31**).

Once everything seems to be in place start full tightening all bolts following this manual's order.

Give the final torque.

STEP5 - FITTING REAR LIGHTS IN AFN REAR BUMPER



NUMBER	REF	QUANTITY
18	45001062	1x
19	45001063	1x
20	45001064	2x

Finally, fit all the Rear Lights.

Reverse Light(**18**);

Fog Light(**19**);

Stop and Blinkers Light(**20**);

Give the final torque.

The highlighted areas (red circles) are for the OEM* Tow Bar.