

# CRAFTED LIKE NO OTHER

DON'T JUST SETTLE  
FOR THE SAME  
OLD BULL

**OWNER MANUAL**

VOLKSWAGEN  
AMAROK V6 2017+

**AFN**<sup>®</sup>  
4 X 4 ACCESSORIES

**AFN**<sup>®</sup>  
4 X 4 ACCESSORIES

# WELCOME TO THE AFN FAMILY

This manual contains the **Volkswagen AMAROK V6 +2017** fitting instructions for:  
**Winch Mount Ref.: 48001584**



# 1 INTRODUCTION



## The Company

Founded in 1995, AFN - 4x4 Accessories dedicates itself to the production and commerce of all-terrain accessories. Its constant concern in its customers total satisfaction, and in the ideals of innovation and transformation have granted a position of notability both in the national and international panorama.

The only company in Portugal in the mass production of 4x4 accessories, relies on specialized and experienced technicians, with the most adequate knowledge, to an efficient response capability to its customers demands.

Thanks to the specialization in the several areas of design and manufacture and to a constant investment in technology, AFN has been broadening its wide range of products, without ever neglecting the quality factor.

## 4x4 Accessories

In its diversity of products we can include, with all-terrain quality, protection, safety and aesthetic accessories.

And it is here that AFN invest on the best technology, the best cut precision of the raw material, and the transformation of products with the quality recognized in the marketplace.

AFN has, at its disposal, resources to test and analyse the resistance of its products and stands in the front row regarding the European homologation of materials dedicated to all terrain.

The contact with the most important test laboratories for vehicles, both in England, Spain and Germany, provides AFN with the know-how to manufacture a wide range of quality products.

## Our Design Approach

AFN designs each accessory taking into consideration the original model lines and fitting points. We refuse to have a "one design fits all" solution and we are always looking forward to embrace new challenges on how to adjust a new product into a new model!

The days of just throwing on a bit of steel together to form a protection system are gone. AFN is leading the way modern vehicle protection components are manufactured. Other will follow, and it won't be long where the AFN approach to Styling, Fit, Form and Function will become the benchmark for all other manufacturers.





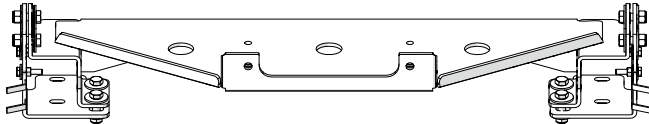


## INDEX

### AFN 4x4 Accessories

Product: **Winch Mount**

Part Ref.: **48001584**



Introduction 2

1 Checklist 4  
Product 48001584

2 Fitting Instructions 6

3 AMAROK V6 Catalogue 23

4 Warranty Terms 24

5 AFN 4x4 Partners 25

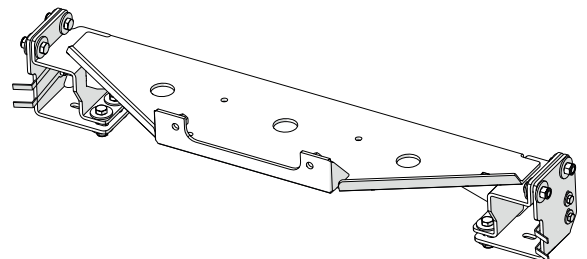


**1 CHECKLIST**

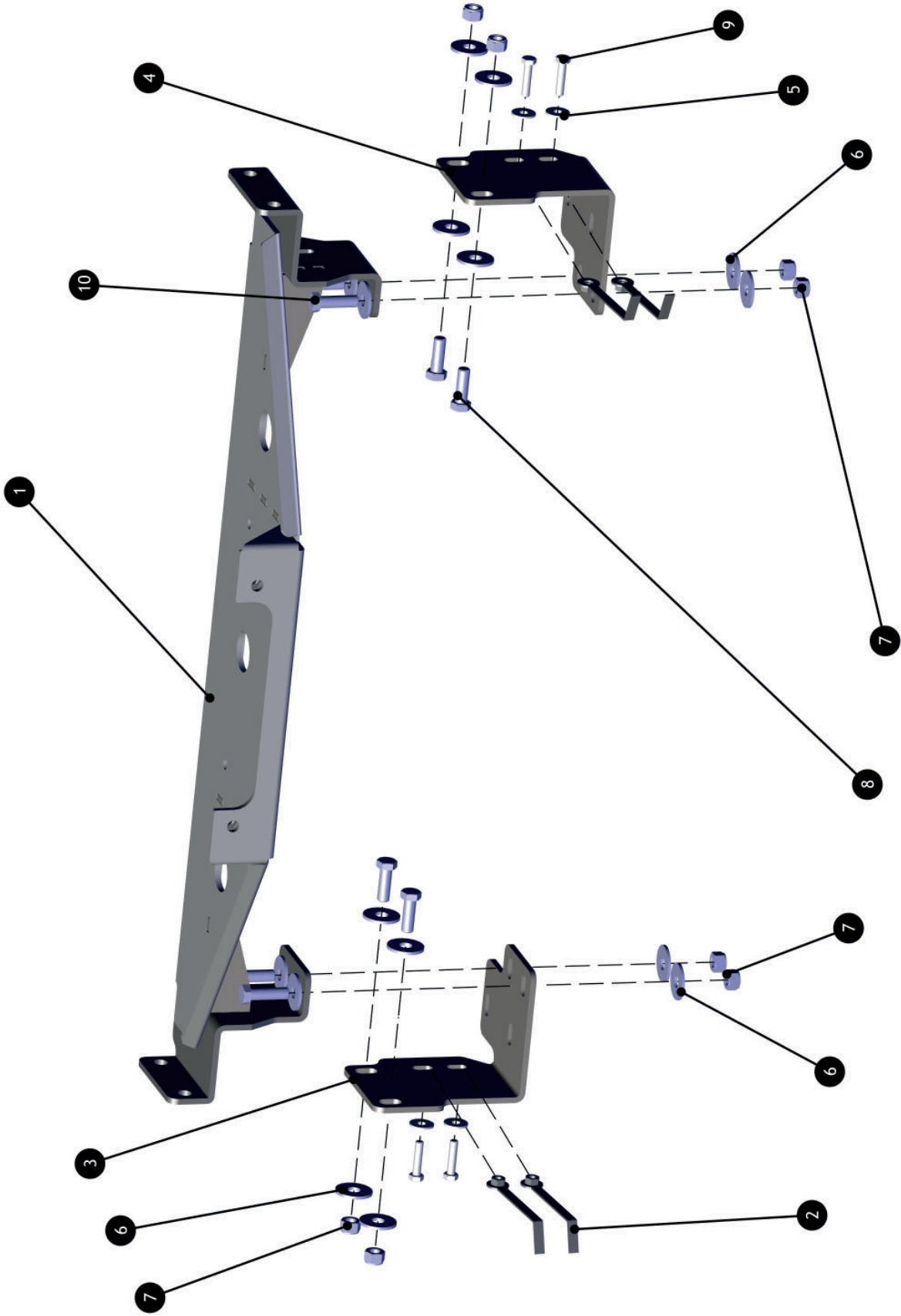
- In this section you have a checklist with all parts included for the installation of your AFN product
- This product should be installed as demonstrated in the product fitting instructions
- If verified that any component is damaged, please contact your nearest AFN distributor
- The specified parts will only fit in the models specified by AFN
- Do not modify any component of the product

This checklist is for product **48001584**.

NUMBER	DESCRIPTION	REFERENCE	QTY
1	Winch Mount VW Amarok v6	47001093	1x
2	Nut Plate M8	47001152	4x
3	Winch Mount Reinforcement "L Shape" (Right Side)	46003576	1x
4	Winch Mount Reinforcement "L Shape" (Left Side)	46003577	1x
5	Washer M8	45000011	4x
6	Washer M12	45000036	16x
7	Nylock Nut M12	45000066	8x
8	Bolt M12x35	45000067	4x
9	Bolt M8x35	45000083	4x
10	Bolt M12x40	45000267	4x







## 2 FITTING INSTRUCTIONS



**WARNING:**

Before you begin installation, read all instructions thoroughly.  
Proper tools will improve the quality of installation and reduce the time required.

- This product should be installed as demonstrated in the *Product «Fitting Instructions»*;
- The specified parts, will only fit the models specified by **AFN**;
- Do not modify any component of the product;
- It is recommended that this product is installed by specialized and trained personnel;
- AFN doesn't take responsibility for changes made in the vehicle by its manufacturer;
- Work safely and use specialized tools at all times;
- **Always use protective gear.**



Size	Torque Nm	Torque lbft
M6	9 Nm	7 lbft
M8	22 Nm	16 lbft
M10	44 Nm	32 lbft
M12	77 Nm	57 lbft

### Mouting Time

- 4 hours
- 2 persons (recommended)

### Tools Required



- Screwdriver star head
- Wrench
- Wire cutter
- Ratchet wrench
- Lift
- Drill
- Hammer
- Duct Tape

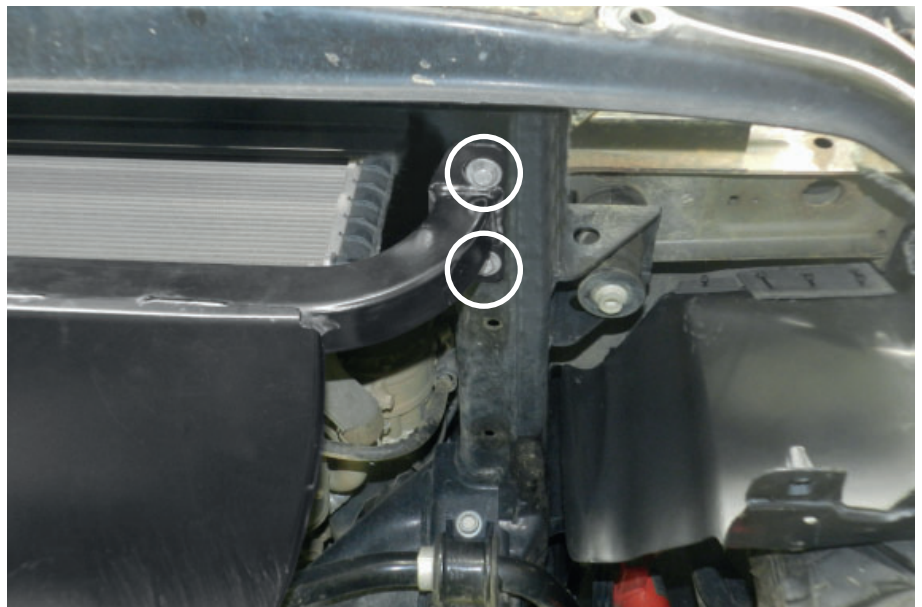


## Step 1 - Remove the OEM\* Bumper

The following steps are for the disassembling process.



Start by placing the Vehicle in a lift removing the OEM\* Underbody Protection.



(Be aware that you must save the OEM\* bolts).

OEM\* Underbody Protection will be fitted again later on.



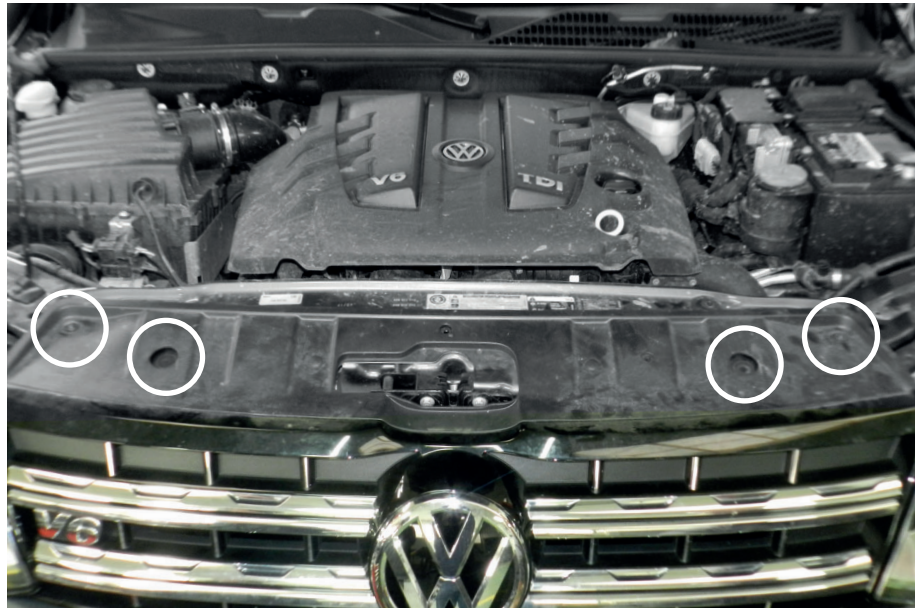
\*OEM - Original Equipment Manufacturer



## Step 1.1 - Removing License Plate and OEM\* Plastics

Remove the top plastic, it has 2x OEM\* Bolts and 2x OEM\* plastic bolts.

Once that is done, the front grill should be loosen.



Then, remove the front grill, as shown.

It has some fasteners on the bottom of it, so be careful when pulling out.

Also, remove the **License Plate** (2x Bolts).

*(Be aware that you must save the OEM\* bolts)*

**License Plate** will be fitted again later on.



Once that is done, loosen both bolts behind the previously removed **License Plate**.

These bolts fits the OEM\* bumper to the **Vehicle**.





## Step 1.2 - Removing the OEM\* Bumper

If you done correctly, this is what the vehicle should look like.



Finally remove the *OEM\** Bolts of the **Plastic Wheel arch**, showed in the image.

There are also 2 more *OEM\** Bolts in the bottom of the **Plastic Wheel arch**.

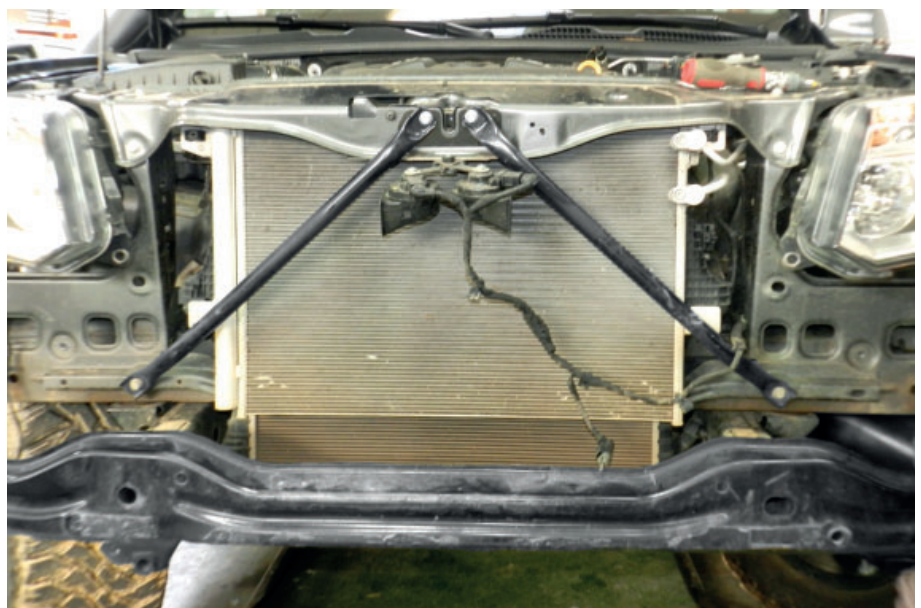
Repeat this step for the other *OEM\** Plastic Wheel arch, on the other side.

Now the *OEM\** Bumper can be removed.

**Be in mind all the cables and that are attached to the *OEM\** Bumper.**



If you done correctly, this is what the vehicle should look like.



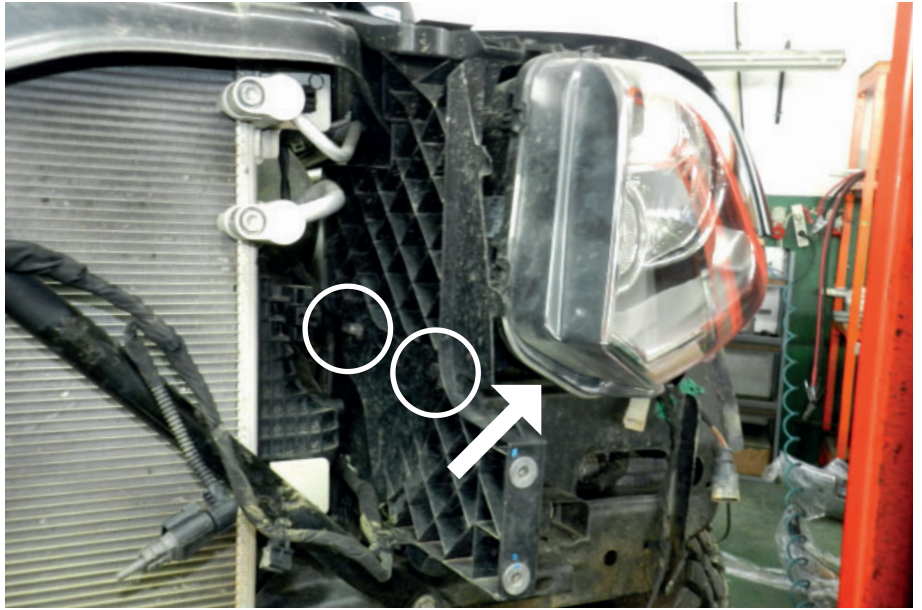


### Step 1.3 - Removing the OEM\* Bumper

Remove the top plastic, it has 2x OEM\* Bolts and 2x OEM\* pins.

Once that is done, the front grid should be loosen.

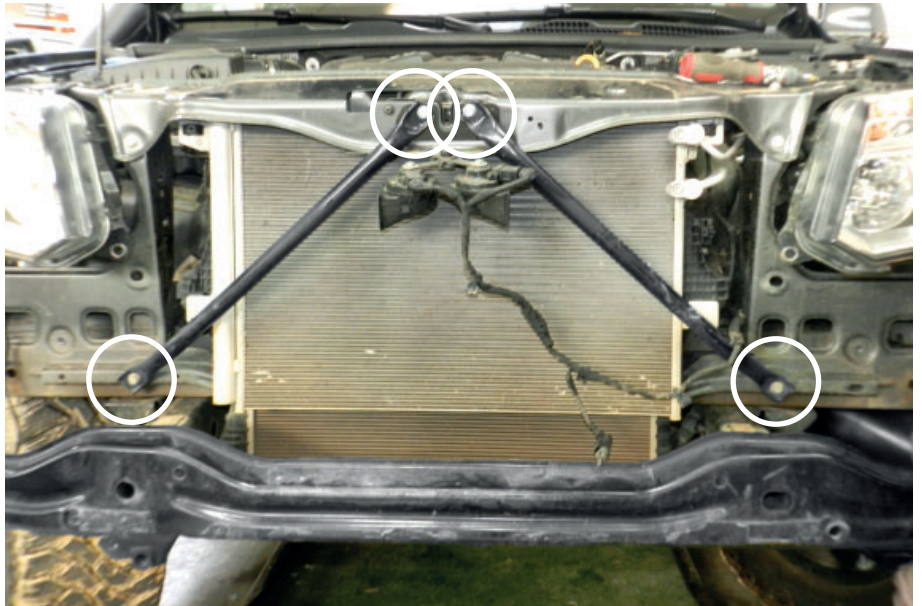
Also loosen the Headlight, so you can have more room to work.



Then, remove the front **Radiator Protection Bars** (4x Bolts).

*(Be aware that you must save the OEM\* bolts)*

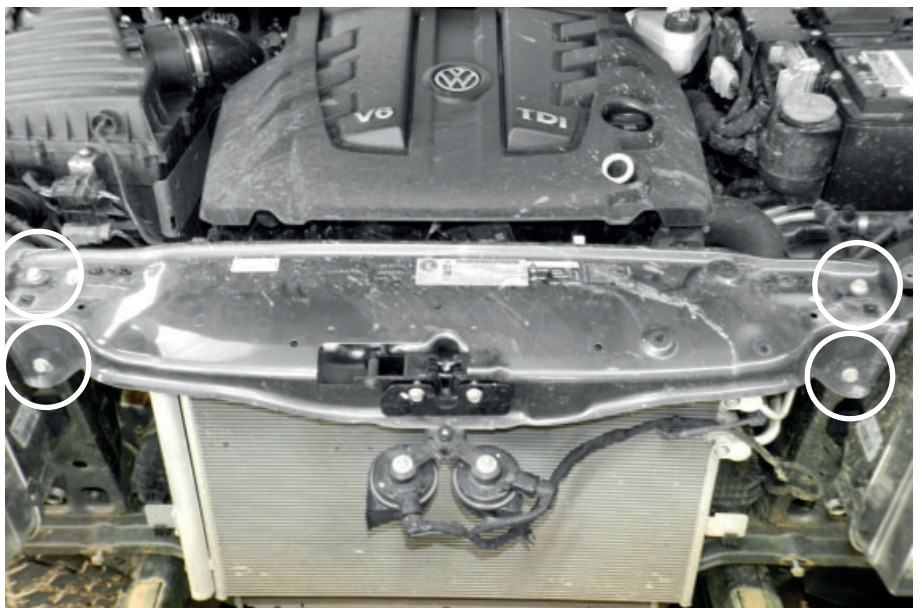
**Radiator Protection Bars** will be fitted again later on.



Once that is done, remove the top part which is holding the **horn** (4x Bolts).

*(Be aware that you must save the OEM\* bolts)*

**Horn** will be fitted again later on.

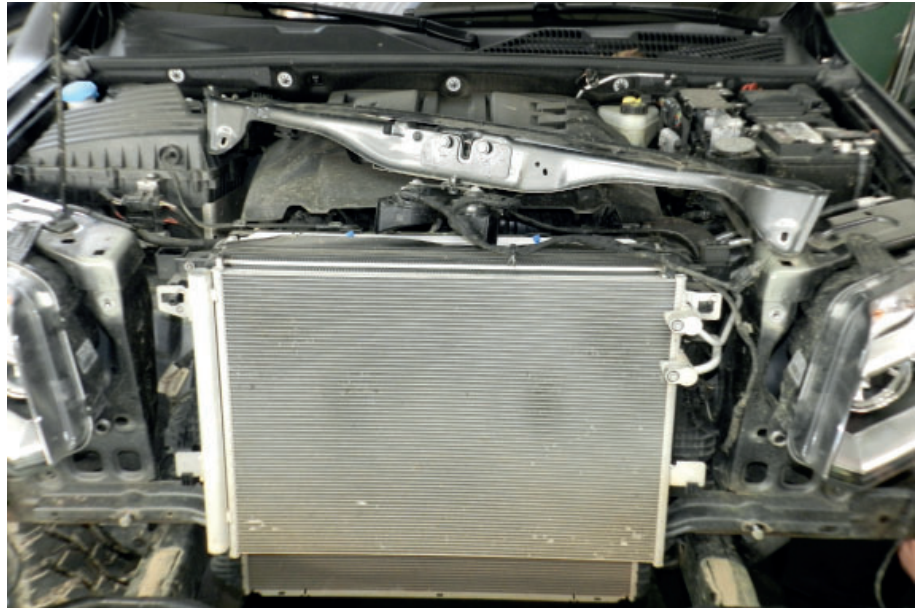


\*OEM - Original Equipment Manufacturer



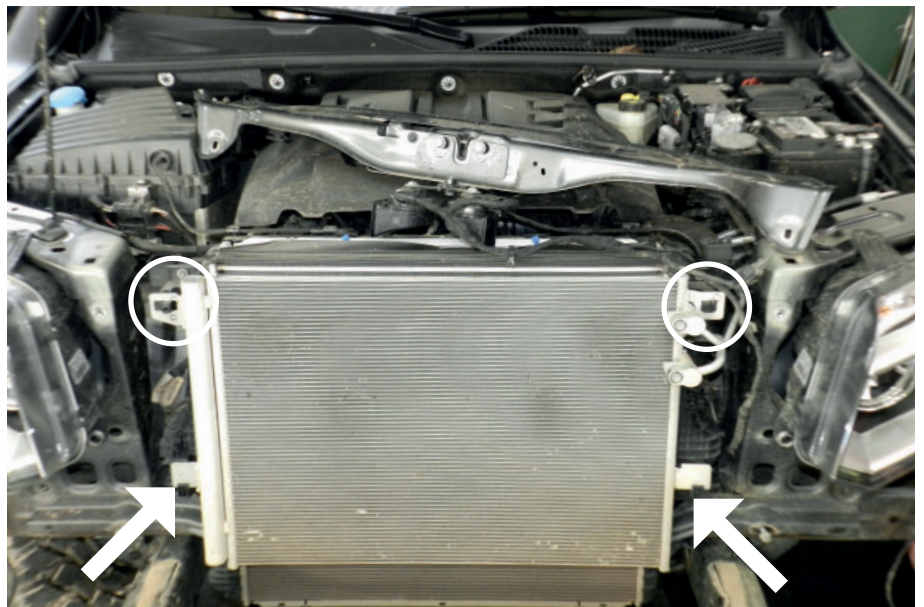
## Step 1.4 - Removing the OEM\* Bumper

If you done correctly, this is what the vehicle should look like.



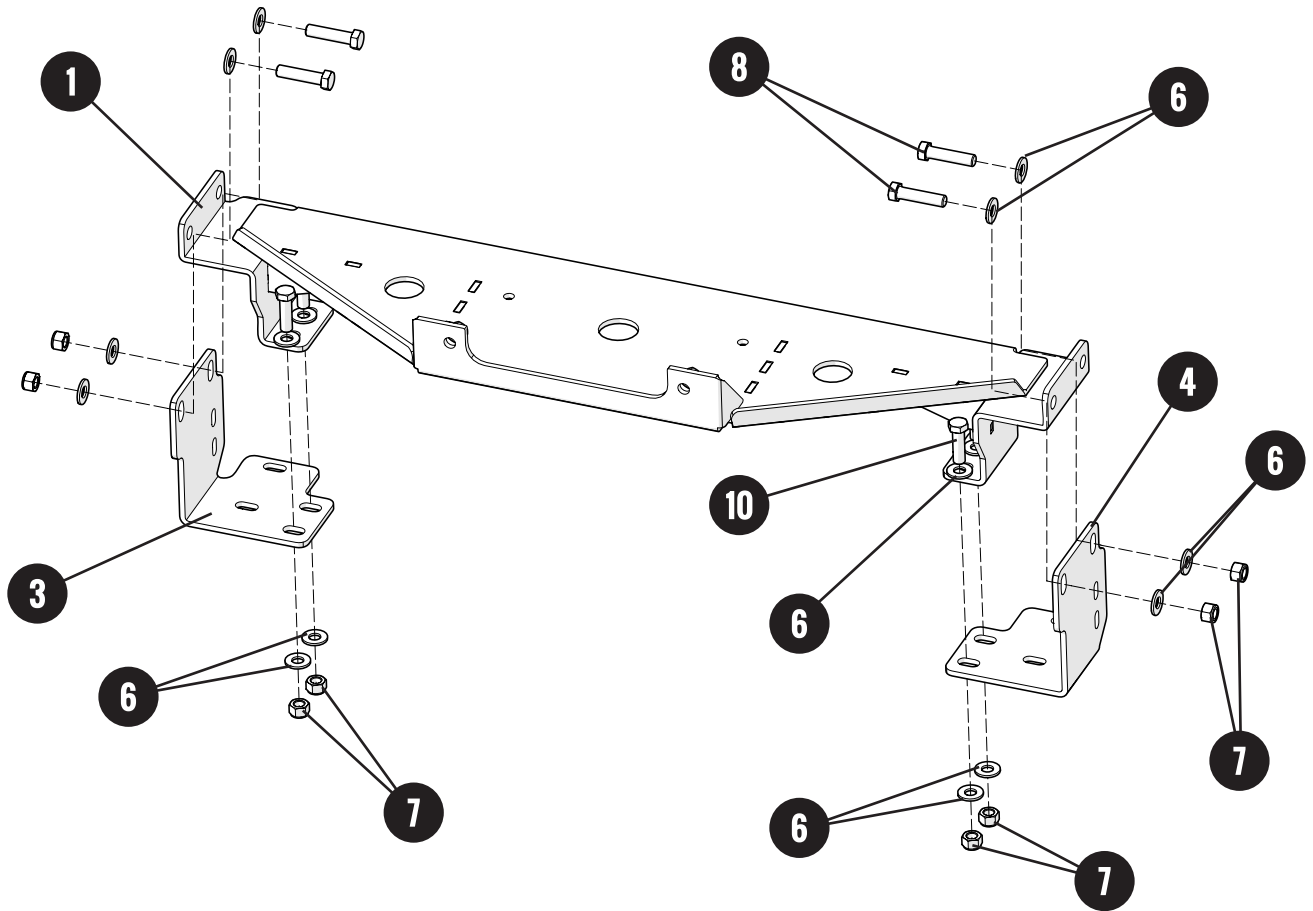
Then, loosen the radiator in order to have some more room.

It just needs to go a little up.

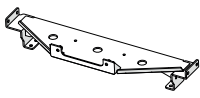
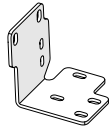
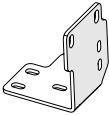
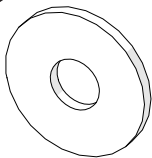
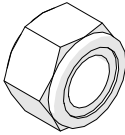
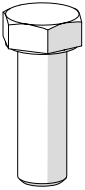
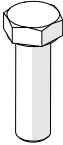


**Step 2 - Fitting the AFN Winch Mount on Vehicle**

**Preview**



**Parts needed:**

- |  |   |   |   |   |   |
|--|---|---|---|---|---|
| <b>1</b><br>  | <b>3</b><br> | <b>4</b><br> | <b>6</b><br> | <b>7</b><br> | <b>8</b><br> |
| <b>x1</b> Winch Mount<br>VW Amarok V6  | <b>x1</b> Winch Mount Reinf.<br>Right Side  | <b>x1</b> Winch Mount Reinf.<br>Left Side   | <b>x16</b> Washer M12   | <b>x8</b> Nylock Nut M12  | <b>x4</b> Bolt M12x35   |
| <b>10</b><br> |   |   |   |   |   |
| <b>x4</b> Bolt M12x40  |   |   |   |   |   |



## Step 2 - Fitting the AFN Winch Mount on Vehicle

## Installation

Start by fitting the **AFN Winch Mount(1)** in the **Vehicle Chassis**.

### ATTENTION!

Please note that our **AFN Winch Mount(1)** will

So, mark the area that needs to be hammered, it should be at least **5cm** on each side.

Then, remove the **AFN Winch Mount(1)** and hammer both marked areas.

Once that is done fit again the **AFN Winch Mount(1)** in the **Vehicle Chassis**.

Then, take on both **Winch Mount Reinforcements(3)** and **(4)** and fit them connecting the **Chassis and AFN Winch Mount(1)**.

**Side:** Use 2x Bolts **M12x35(8)** with 4x Washers **M12(6)** and 2x Nylock Nuts **M12(7)**.

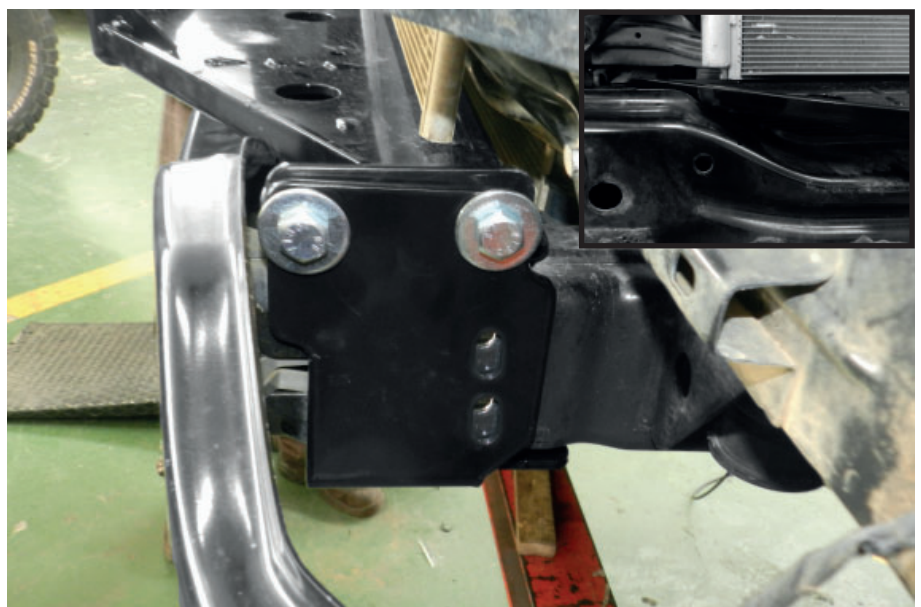
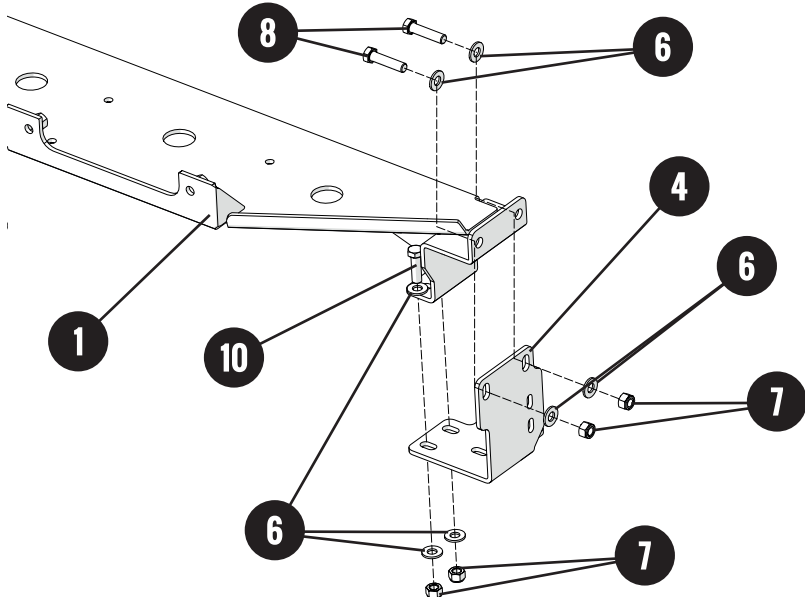
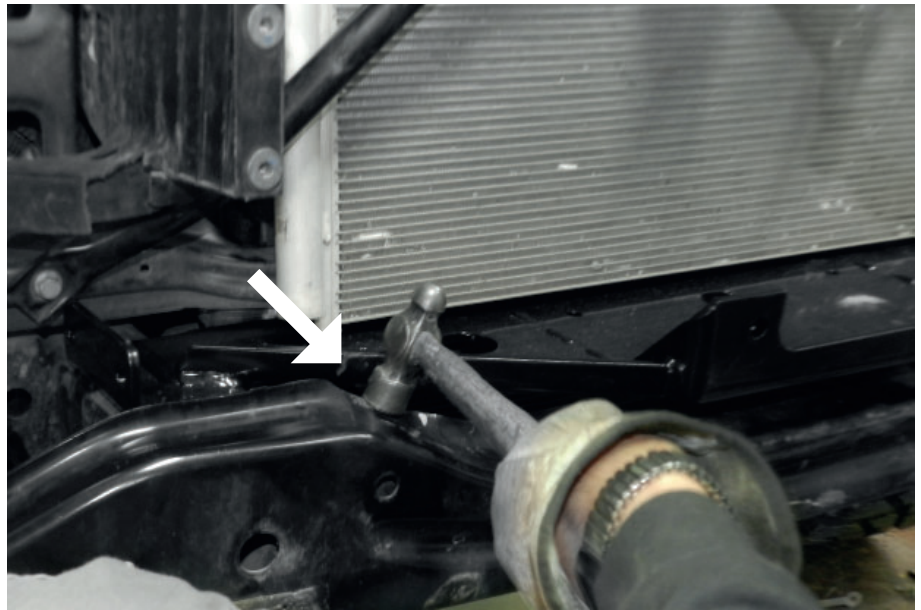
**Bottom:**Use 2x Bolts **M12x40(10)** with 4x Washers **M12(6)** and 2x Nylock Nuts **M12(7)**.

Repeat this step on the other side.

If you done correctly, this is what it should look like.

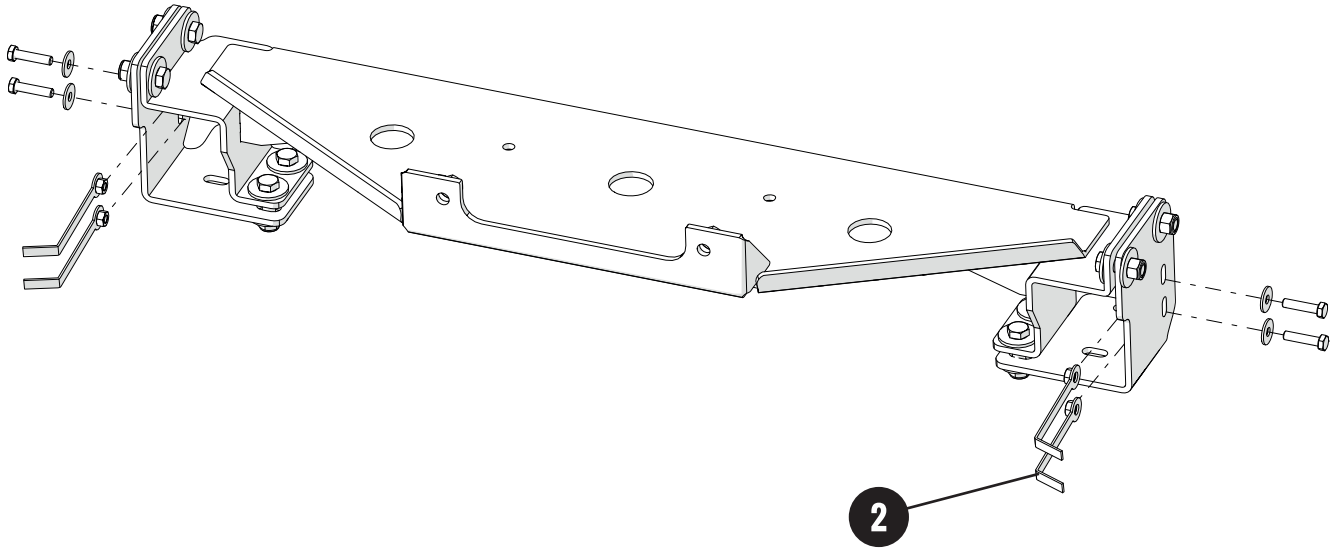
Just finger tight both bolts

**Do Not tighten yet.**



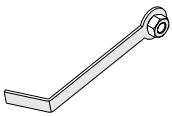
**Step 3 - Fitting the AFN Winch Mount on Vehicle**

**Preview**



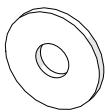
**Parts needed:**

**2**



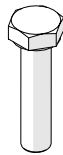
x4 Nut Plate M8

**5**



x4 Washer M8

**9**



x4 Bolt M8x35



**Step 3 - Fitting the AFN Winch Mount on Vehicle****Installation**

Finally, it's time to fit the both **Winch Mount Reinforcements**(3) and (4) and fit them to the **Chassis**.

Use 2x Bolts M8x35(9) with 2x Washers M8(5) and 1x nut Plate M8(2).

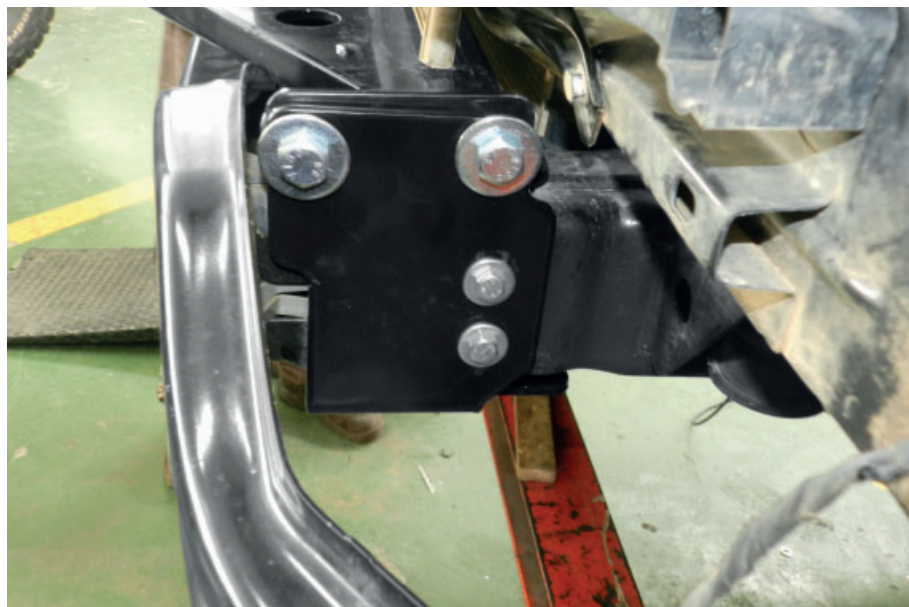
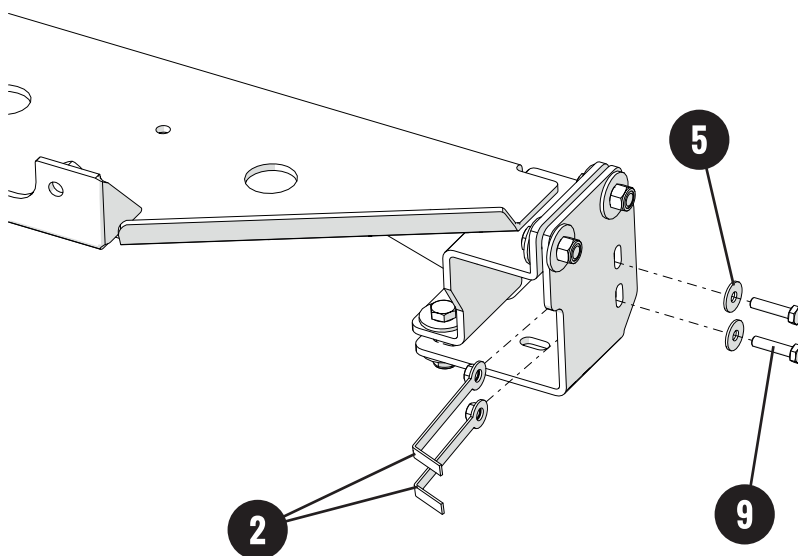
Repeat this step for the other side.

Just finger tight both bolts

**Do Not tighten yet.**

Once that is done, and the **AFN Winch Mount**(1) is correctly fitted, start full tightening all the bolts following the order in this manual.

**Give the final torque.**



**Step 5 - Fitting the AFN Bullbar | Bumper in the Winch Bracket**

**Preview**

Once the **AFN Winch Mount(1)** is secured, fit the **Winch** you have to be mounted.

See circles where the Winch has to be fitted in AFN Winch Mount(1).

Use the supplied checklist by the winch's manufacturer.

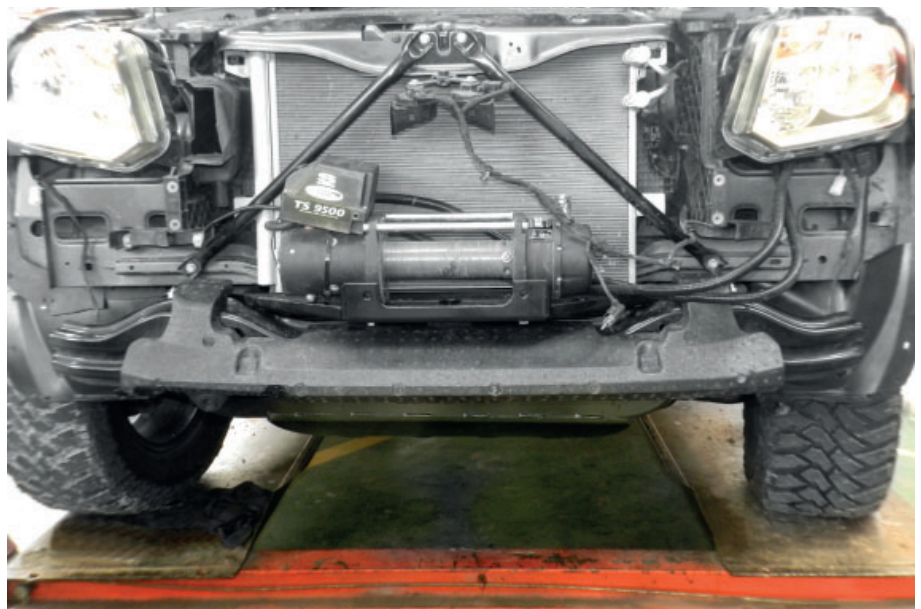


Once the Winch is fitted, it's time to start re-assembling the OEM\* parts.

So, follow the disassembling order.

Take on Plastic part (*bottom*) and fit it again on the vehicle.

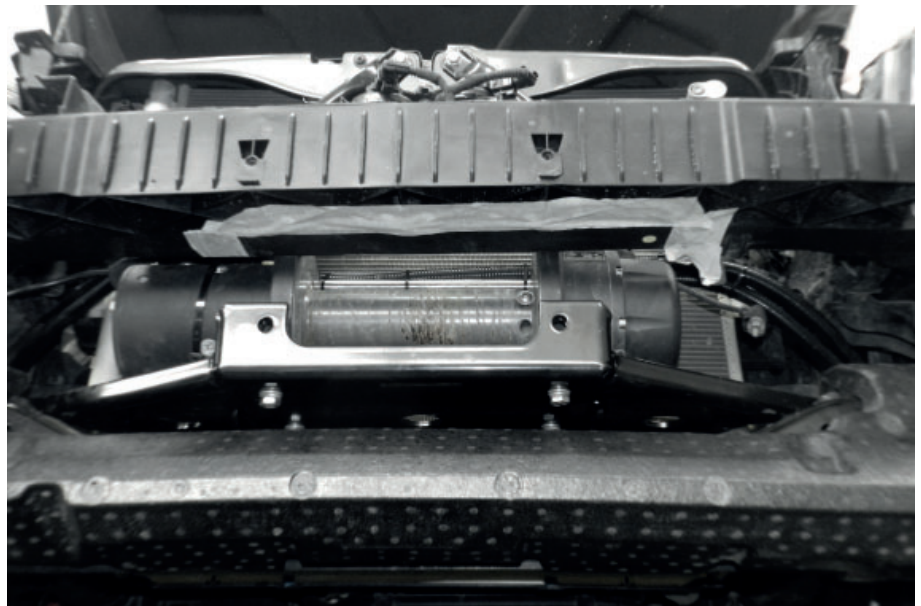
Check the image on the right to see how it's done.



Once that is done, re-fit the Plastic part (*middle*) and fit it back again on the vehicle.

Then, apply some paper duct tape in the area that collides with the winch, this will be the trimming line.

Please note that, depending on the size of the Winch that is going to be mounted, the amount of cutting this part may vary.



\*OEM - Original Equipment Manufacturer

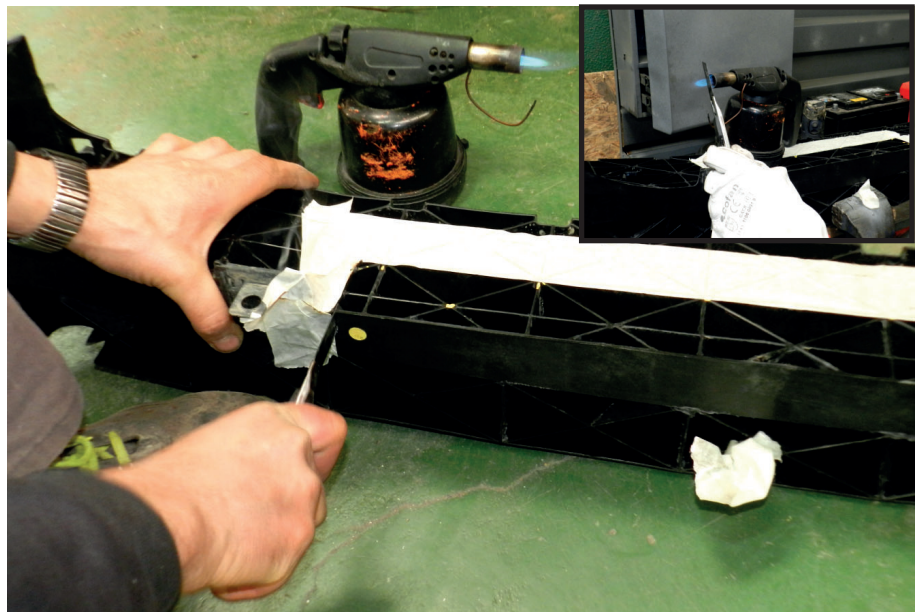


## Step 6 - Trimming the Plastic Bracket of Winch

## Installation

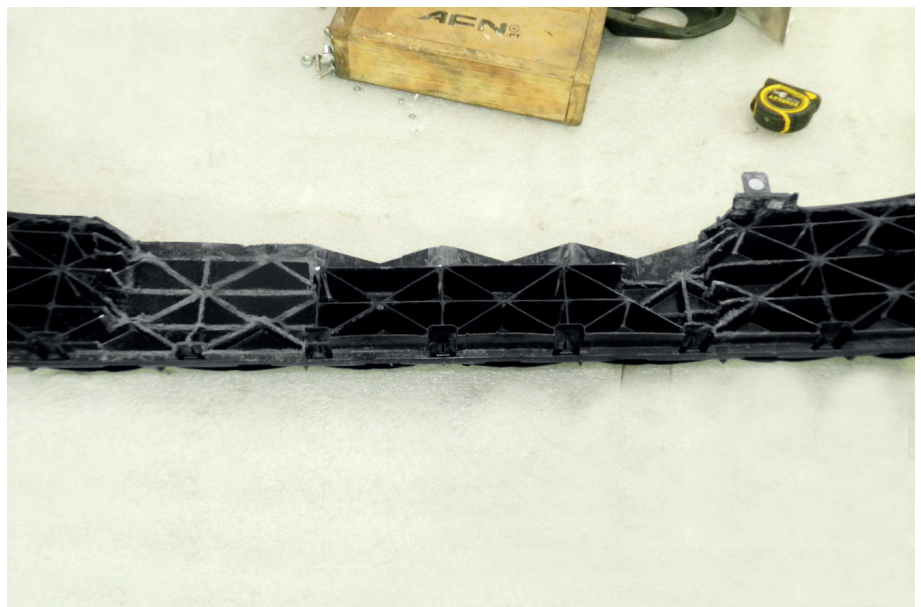
Take of the Plastic part (*middle*), once more and prepare for the trimming.

In our case we use a **scorched utility knife** and the trimming was really smooth and easy.



If you done it correctly, this is what it should look like.

You may have to do the final touches in the trimming the bumper. When it's done, and if you want to do a cleaner job, you may use a rasp to smooth the rough edges.



Once you are pleased with the trimming, fit the Plastic part (*middle*) in the vehicle.

Re-use OEM\* bolts.

Once this step is finished,  
**Give the final torque.**





## Step 7 - Fitting the AFN Bullbar | Bumper in the Winch Bracket

The next step require extreme precision, because the will define how the bumper is going to be cutted.

We advise to center the Winch's Roller Fairlead in the bumper to see how much the bumper needs to be trimmed.

Apply some tape to mark the trimming line.

*In our case, we used **AFN's**, we had about **200mm** Width and **40mm** height.*

Check the image on the right to see how it's done.

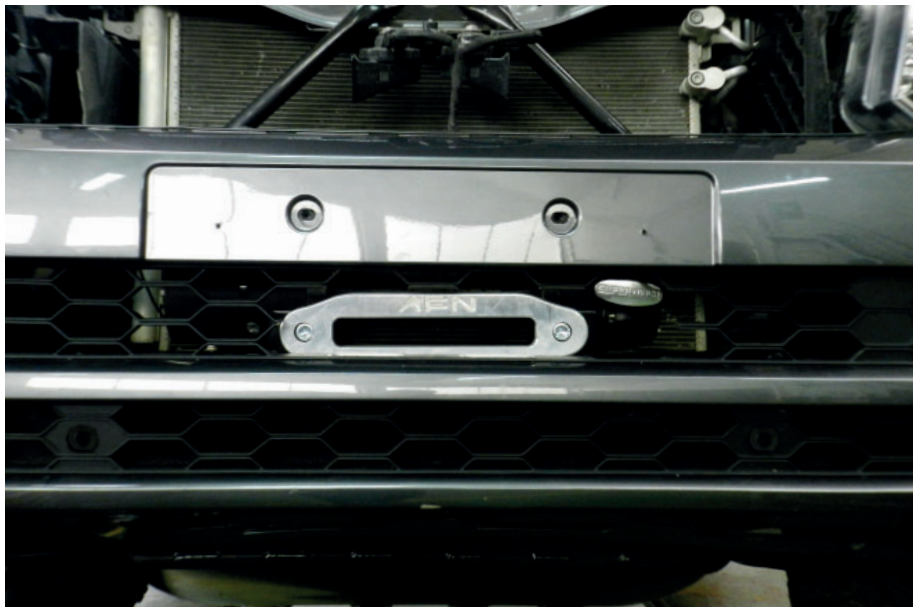
If you done it correctly, this is what it should look like.

**Tip:** *In order to get access to the Winch Control Switch, it must be cutted a little more, take that in consideration.*

Once that is done, take on a drill and open a hole of the size of the Winch Remote Plug.

Then, fit the Winch Remote Plug using the supplied bolts.

**Give the final torque.**





## Step 8 - Fitting the OEM\* Bumper

If you done it correctly, this is what it should look like.



We advise to plugin the Remote Control and test if the Winch is correctly functioning.



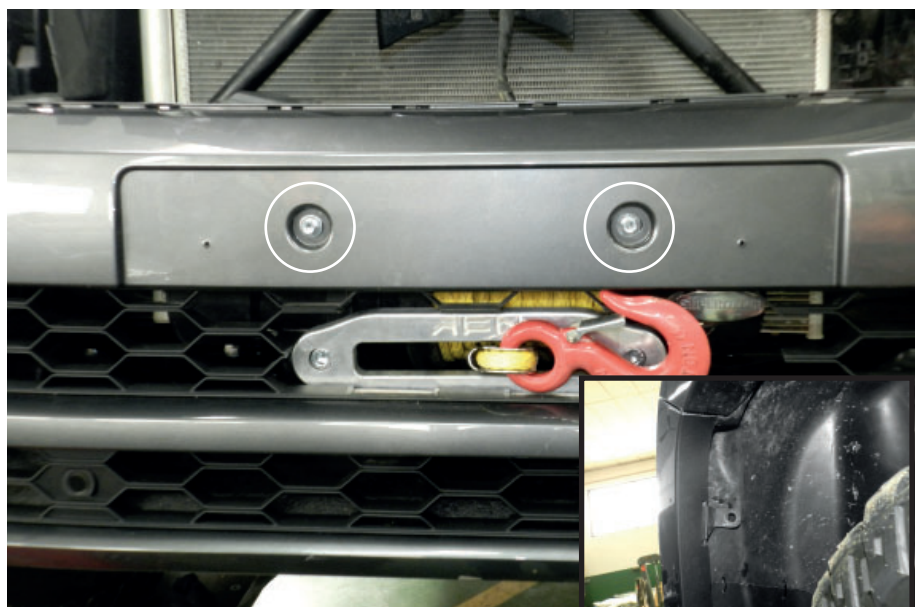
Once the **Winch** is tested, reuse the OEM\* bolts of the Bumper.

Also fit both Plastic Wheel arch, showed in the image.

**Give the final torque.**

**Be in mind all the cables and that must be attached to the OEM\* Bumper.**

If you done it correctly, this is what it should look like.



\*OEM - Original Equipment Manufacturer

## Step 9 - Fitting the OEM\* Grill and License Plate

Once the OEM\* Bumper is correctly fitted, fit again the **License Plate** (2x Bolts), previously removed.

Then, take on front grill, as shown.

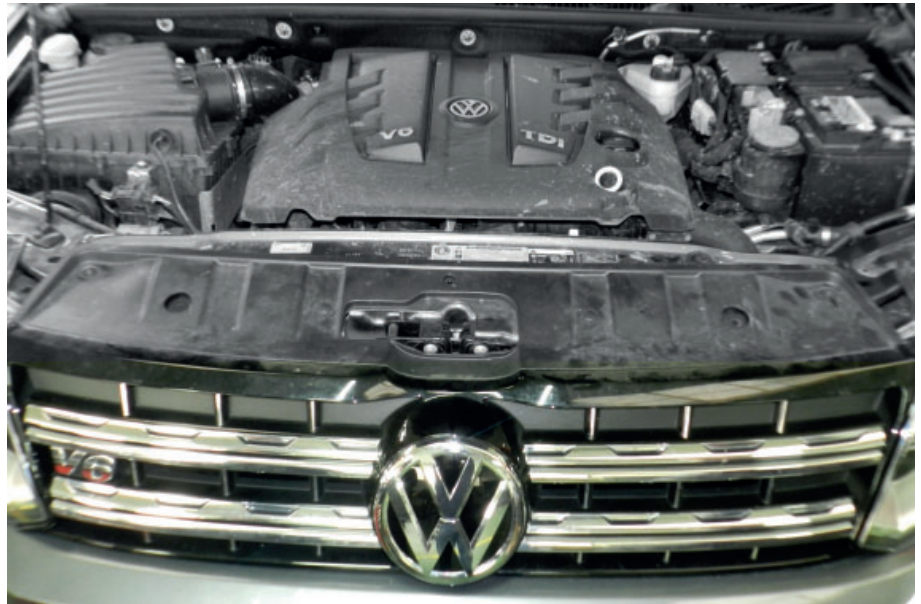
Start from the bottom, it has some fasteners, so be careful when fitting it.



Finally, refit the top plastic.

Use 2x OEM\* Bolts and 2x OEM\* plastic bolts, previously removed.

**Give the final torque.**





## Step 10 - Final Result

## Preview



Your new **AFN WINCH MOUNT** is now installed on your **Ford RANGER PX!**  
Have Fun!

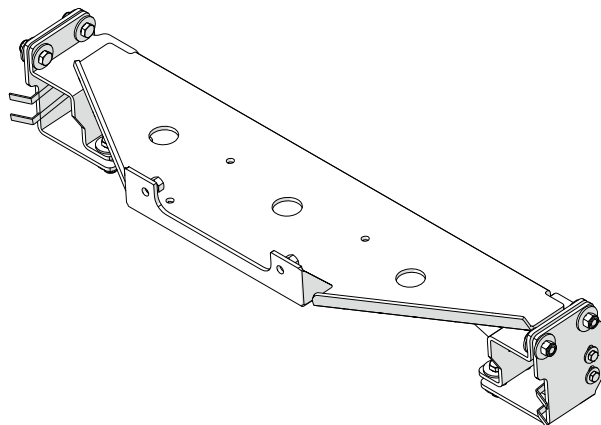
**Reminder !**

Before operating a vehicle fitted with an AFN Winch Mount:

- Make sure all fittings are tightened
- Check winch operation (if installed)

**Maintenance | Care**

Periodically check and tighten all nuts. Stripped, fractured or bent bolts or nuts need to be replaced.









### 3 AMAROK V6 CATALOGUE

**AFN 4x4 Accessories** is becoming a well known brand for its products due to its quality, design and safety which are challenged for thousands of people everyday, worldwide.

In its diversity of products we can include, with all-terrain quality, protection, safety and aesthetic accessories. With that being said, **AFN 4x4** has some other accessories that every offroad passionate would like to have, such as **Body Protections, Underbody Protections, Light Holders, Storage** (Wheel Supports and Jerry-can carriers) and others related to the **Aesthetics**.

We have some 4x4 accessories that combine with the original model lines that if you take a closer look you will see that they don't appear to be an accessorie, but a must-have.

Please be in mind that some accessories are available only to some models.  
 Feel free to check all the products that may interest you in our website at: [www.afn.pt](http://www.afn.pt)



Ref.: 48002208 - Front Bumper



Ref.: 48001591 - Bull Bar with fog lights



Ref.: 48002428 - Side Steps



Ref.: 48002274 - Rear Step Bar w/ trailer hitch



Ref.: 48002429 - Nerf Bars



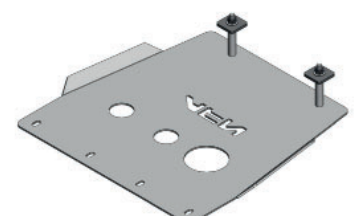
Ref.: 48001668 - Rear Bumper w/ Wheel and Jerry-can carrier



Ref.: 48001669 - Sump Guard Skid Plate (\*Al)



Ref.: 48001595 - Fuel Skid Plate (\*Al)



Ref.: 48001593 - Gearbox Skid Plate (\*Al)



Ref.: 48002417 - Transfer Box Skid Plate (\*Al)

## 4 WARRANTY TERMS

**AFN4x4** products are warranted free from defects in materials and workmanship for a period of two (2) years from the date of initial retail purchase. Third-party components are delivered under the original manufacturer warranty.

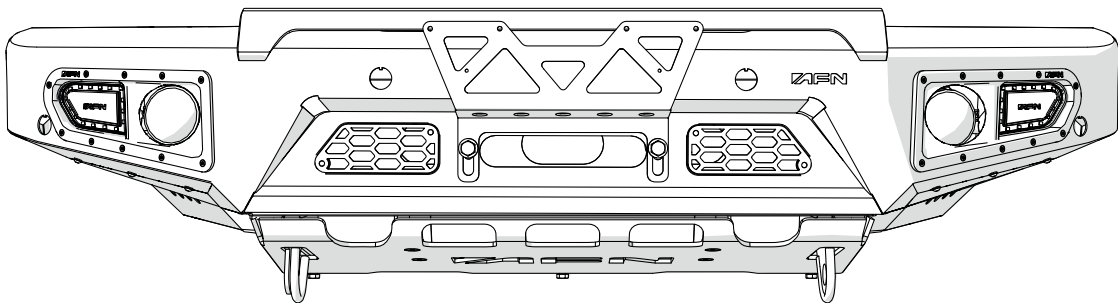
Under the present warranty, **AFN4x4** obligation shall be limited to repairing, replacing or crediting, at its option, any part found to be defective.

**AFN4x4** does not warrant or make any representations concerning its goods when:

- a) The products are purchased used, scratch and dent or when the box was opened.
- b) The products are not installed, used, and maintained strictly in accordance with **AFN4x4**'s instructions.
- c) The products are installed in vehicles that are used in competition.
- d) The products are installed in vehicles fitted with aftermarket non-standard tires with diameters in excess of OEM\* specifications.
- e) The products are installed in vehicles with engines that have been modified to increase performance.

**AFN4x4** will not be responsible for goods damaged in transit. If any goods arrive damaged, please contact the **AFN4x4** as soon as possible. **AFN4x4** will assess and may arrange to have the damaged goods returned to a **AFN4x4** Distributor and arrange for a replacement of the goods. Damaged goods must be returned in the condition received by you with all original packaging, accessories and/or manuals. If they are not returned in same condition sent there may be an additional fee charged.

To file a claim under this warranty please contact **AFN4x4** at +351 256 808 300 or via email at [geral@afn.pt](mailto:geral@afn.pt) to request a *Returned Goods Authorization (RGA)* number and instructions for returning the defective component.







## 5 AFN 4x4 PARTNERS



01

### Portugal

Rua da Madeira, 113  
Z. Industrial das Travessas  
3700-176 S. João da Madeira

T:(00351) 256 838 300/7  
geral@afn.com  
www.afn.com

02

### Espanha

Carretera de Moledo 8  
pol. ind. de Miraflores, Nave 20  
36214, Vigo (Pontevedra)

T:(0034) 986 378338  
info@4x4misutonida.com  
www.4x4misutonida.com

03

### Austrália

19 Flinders Parade  
North lakes  
QLD 4509

T:(0061) 1300 236 494  
sales@afn4x4.com.au  
www.afn4x4.com.au

04

### Costa Rica

Fort overlanding CR,  
Alajuela

T:(0011) 506 8430 0211  
info@fortoverlanding.com  
www.fortoverlanding.com

DON'T JUST SETTLE FOR THE SAME OLD BULL



WWW.AFN.PT | SALES@AFN.PT | FACEBOOK.COM/AFN4X4

# WELCOME TO THE AFN FAMILY



Operação de Apoio Especializado  
do Fundo Europeu de Desenvolvimento Regional  
em favor do setor empresarial  
com o objetivo de apoiar a criação e o desenvolvimento  
de pequenas e médias empresas

