

CRAFTED LIKE NO OTHER

DON'T JUST SETTLE
FOR THE SAME
OLD BULL

OWNER MANUAL

TOYOTA
LAND CRUISER 79 series

AFN[®]
4 X 4 ACCESSORIES



WELCOME TO THE AFN FAMILY

This manual contains the **Toyota Land Cruiser 79 series** fitting instructions for:
Rear Bar w/ Wheel Carrier and Jerrycan Holder Ref.: 48001476

1 INTRODUCTION



The Company

Founded in 1995, AFN - 4x4 Accessories dedicates itself to the production and commerce of all-terrain accessories. Its constant concern in its customers total satisfaction, and in the ideals of innovation and transformation have granted a position of notability both in the national and international panorama.

The only company in Portugal in the mass production of 4x4 accessories, relies on specialized and experienced technicians, with the most adequate knowledge, to an efficient response capability to its customers demands.

Thanks to the specialization in the several areas of design and manufacture and to a constant investment in technology, AFN has been broadening its wide range of products, without ever neglecting the quality factor.

4x4 Accessories

In its diversity of products we can include, with all-terrain quality, protection, safety and aesthetic accessories.

And it is here that AFN invest on the best technology, the best cut precision of the raw material, and the transformation of products with the quality recognized in the marketplace.

AFN has, at its disposal, resources to test and analyse the resistance of its products and stands in the front row regarding the European homologation of materials dedicated to all terrain.

The contact with the most important test laboratories for vehicles, both in England, Spain and Germany, provides AFN with the know-how to manufacture a wide range of quality products.

Our Design Approach

AFN designs each accessory taking into consideration the original model lines and fitting points. We refuse to have a "one design fits all" solution and we are always looking forward to embrace new challenges on how to adjust a new product into a new model!

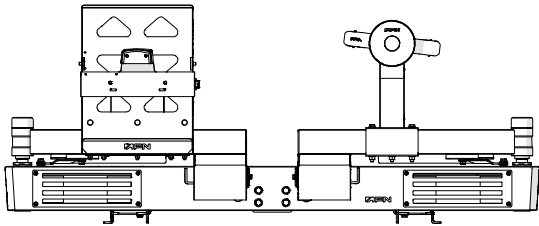
The days of just throwing on a bit of steel together to form a protection system are gone. AFN is leading the way modern vehicle protection components are manufactured. Other will follow, and it won't be long where the AFN approach to Styling, Fit, Form and Function will become the benchmark for all other manufacturers.





AFN 4x4 Accessories

Product: **Rear Bumper w/ Wheel Carrier and Jerrycan Holder**
Part Ref.: **48001476**



- Introduction 2
- 1 Checklist 4
- Product 48001476
- 2 Fitting Instructions 6
- 3 LC79 Catalogue 21
- 4 Warranty Terms 22
- 5 AFN 4x4 Partners 23



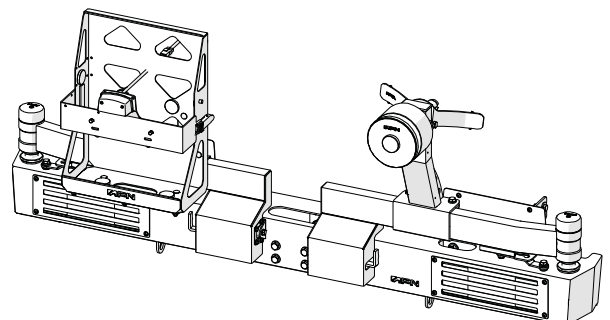
1 CHECKLIST



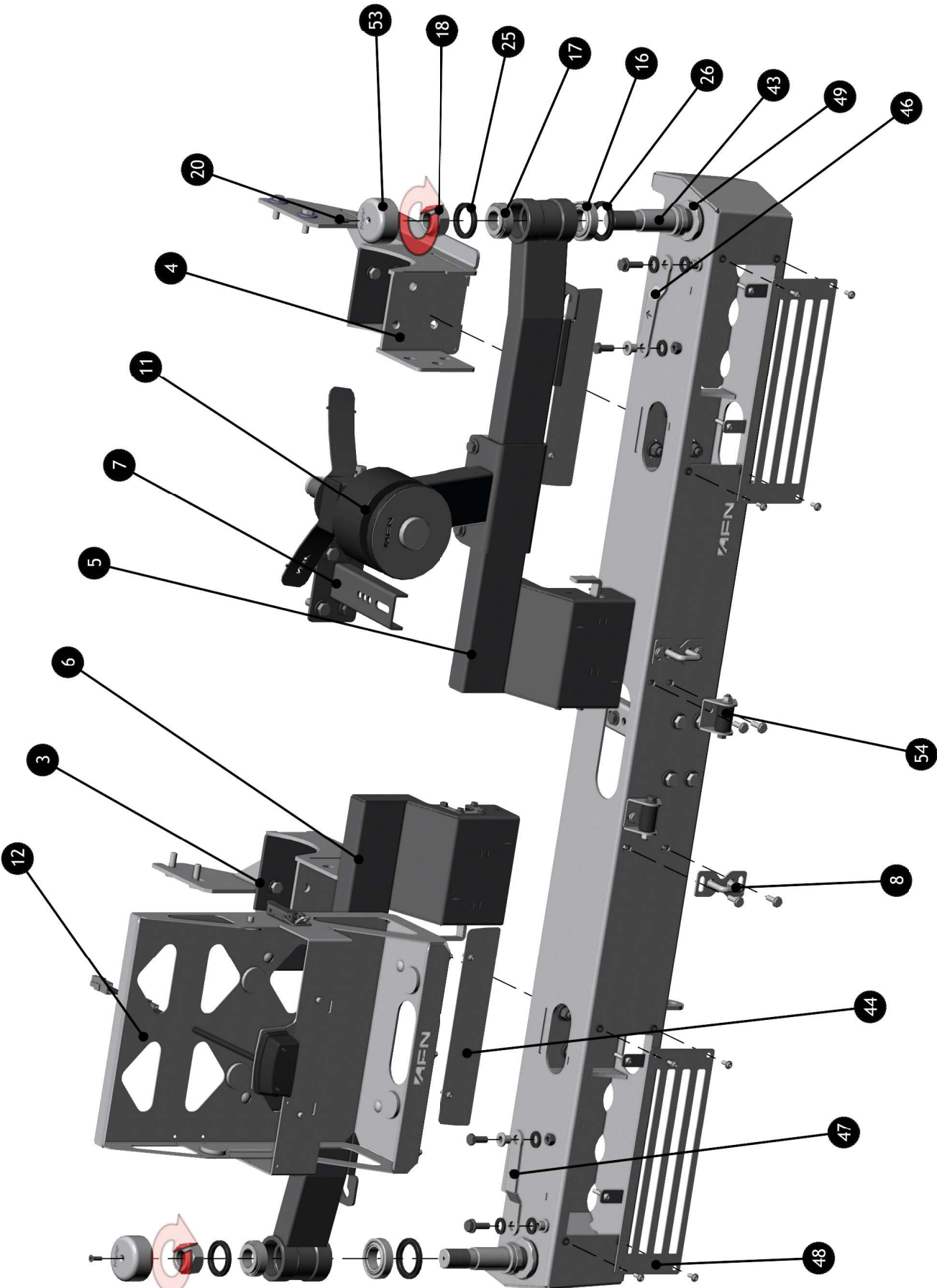
- In this section you have a checklist with all parts included for the installation of your AFN product
- This product should be installed as demonstrated in the product fitting instructions
- If verified that any component is damaged, please contact your nearest AFN distributor
- The specified parts will only fit in the models specified by AFN
- Do not modify any component of the product

This checklist is for product **48001476**.

NUMBER	DESCRIPTION	REFERENCE	QTY	NUMBER	DESCRIPTION	REFERENCE	QTY
1	Rear Bumper - Toyota LC 79	47001000	1x	30	Flange Nut M8	45001247	2x
2	Rear Bumper Reinforcement (Central)	47000893	1x	31	Washer M10	45001251	4x
3	Rear Bumper Reinforcement (Right Side)	47001001	1x	32	Washer M12	45001253	38x
4	Rear Bumper Reinforcement (Left Side)	47001002	1x	33	Washer M10	45001254	16x
5	Right Arm for Rear Bumper	47001003	1x	34	Flange Bolt M6x20	45001257	4x
6	Left Arm for Rear Bumper	47001004	1x	35	Flange Bolt M6x16	45001258	8x
7	Rear Bumper Reinforcement (Central)	47001049	1x	36	Bolt M12x45	45001511	4x
8	Closing Bracket	47001111	1x	37	Bolt M12x35	45001545	12x
9	Double Nut Plate M8 (small)	47001450	2x	38	Nylock Nut M10	45001554	8x
10	Double Nut Plate M8 (big)	47001451	2x	39	Nylock Nut M12	45001558	18x
11	Wheel Carrier	48001309	1x	40	Bolt M12x30	45001565	2x
12	Jerrycan Holder	48001522	1x	41	Bolt M10x25	45001582	8x
13	Bolt M10x30	45000070	8x	42	Bolt M6x35	45001607	8x
14	Bolt M14x30	45000216	2x	43	Threaded Shaft	46002340	2x
15	Bolt M12x40	45000361	2x	44	Rear Headlight Plate	46002356	2x
16	Bearing SKF Ø62xØ35x19	45000871	2x	45	Nylon Bushing M10	46002997	2x
17	Bearing SKF Ø55xØ30x18	45000872	2x	46	Opening Limiter (Left Side)	46003042	1x
18	Nylock Nut M30	45000874	2x	47	Opening Limiter (Right Side)	46003043	1x
19	Grasser M10	45000889	2x	48	Rear Lamp Protection Plate	46003288	2x
20	Bolt M6x20	45000964	2x	49	Nut M36	46003951	2x
21	Cage Nut M6	45001012	12x	50	Washer M12 Ø53	46004340	2x
22	Washer M4	45001042	1x	51	Nylon Bushing Opening Limiter	46004345	2x
23	License's Plate Light cable holder	45001049	1x	52	Nylon Washer for Opening Limiter	46004358	6x
24	Bolt M4x12	45001080	1x	53	Cap for Threaded Shaft	46005253	2x
25	Bearing Seal Ø55xØ40x7	45001132	2x	54	Closing Bracket	46005514	2x
26	Bearing Seal Ø62xØ45x7	45001133	2x	55	Nylon for Closing Bracket	46005515	2x
27	Hex Flange Bolt M10x30	45001237	2x	56	Bushing for Closing Bracket	46005516	1x
28	Hex Flange Bolt M8x20	45001240	8x	57	Plastic Cap f/ Bolt M14	46007960	2x
29	Hex Flange Bolt M8x60x20	45001242	2x				



*OEM - Original Equipment Manufacturer



2 FITTING INSTRUCTIONS

WARNING:

Before you begin installation, read all instructions thoroughly.
Proper tools will improve the quality of installation and reduce the time required.

- This product should be installed as demonstrated in the *Product «Fitting Instructions»*;
- The specified parts, will only fit the models specified by **AFN**;
- Do not modify any component of the product;
- It is recommended that this product is installed by specialized and trained personnel;
- AFN doesn't take responsibility for changes made in the vehicle by its manufacturer;
- Work safely and use specialized tools at all times;
- **Always use protective gear.**

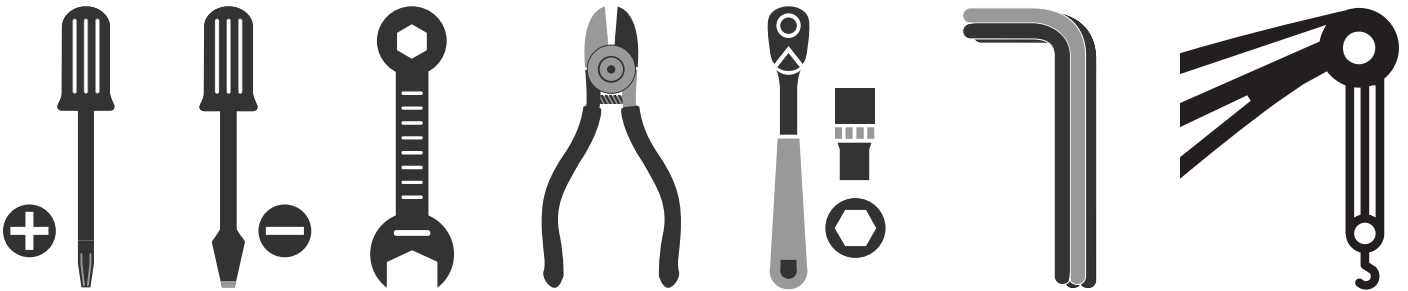


Size	Torque Nm	Torque lbft
M6	9 Nm	7 lbft
M8	22 Nm	16 lbft
M10	44 Nm	32 lbft
M12	77 Nm	57 lbft

Mouting Time

- 3 hours
- 2 persons (recommended)

Tools Required



- Screwdriver star head
- Screwdriver flat head
- Wrench
- Wire cutter
- Ratchet wrench
- Allen wrench
- Crane

Step 1

Start by removing the **OEM* Hook**, so loosen the 2x **OEM* Bolts** of it.

(Be aware that you must save the OEM bolts.)*



Step 2

Once that is done, go underneath the vehicle and remove the **OEM* Plastic cover** of the Rear Headlight.

Then, unscrew the 4x **OEM* bolts** of the Rear headlight.

Repeat this step on the other side.

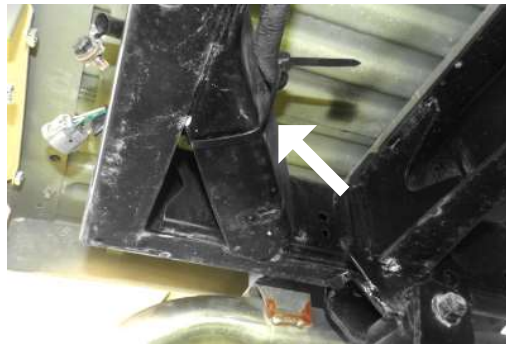
(Be aware that you must save the OEM bolts.)*



Step 3

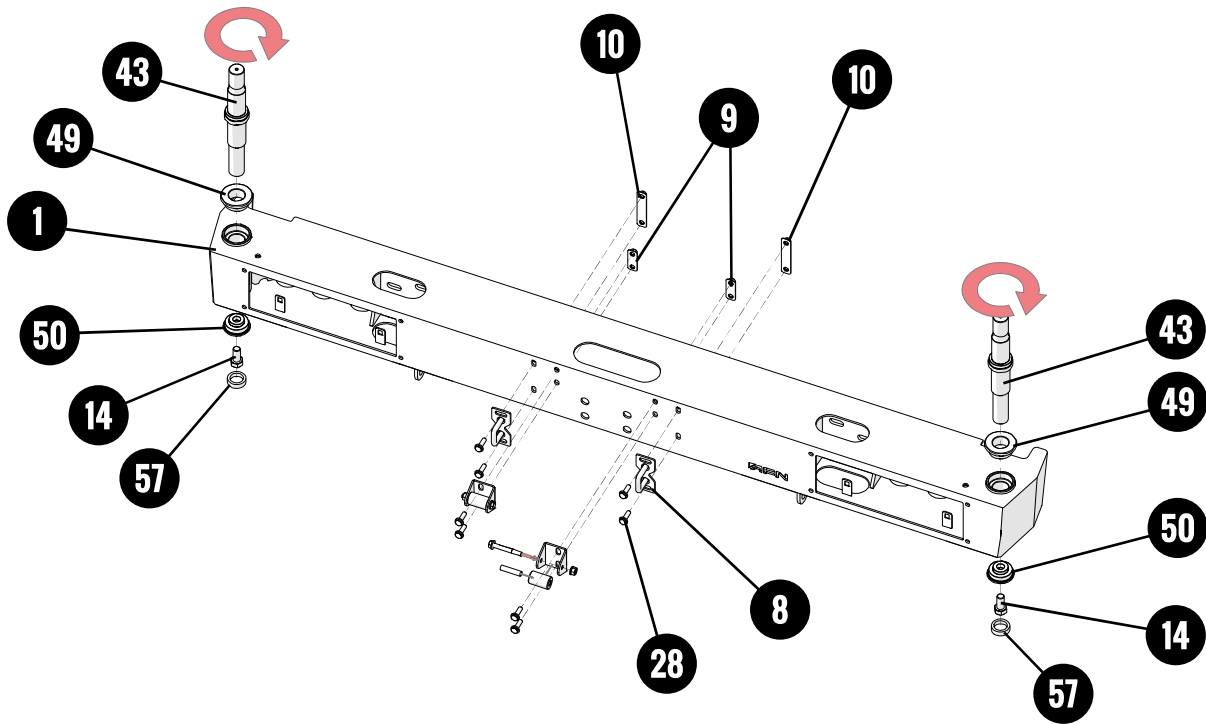
Once both Rear Headlights are removed, use the supplied zipties to fix the electrical cables.

(Be aware that you must save the OEM bolts.)*

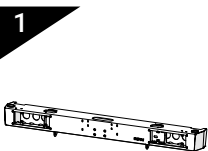
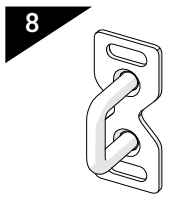
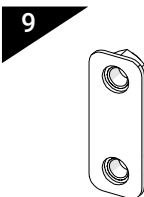
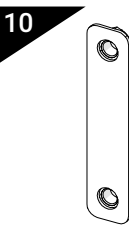
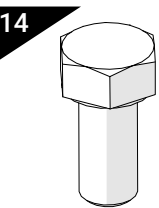
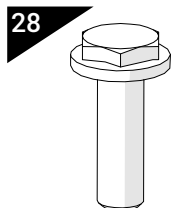
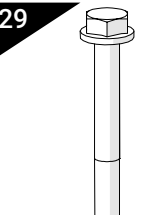
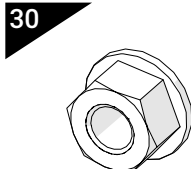
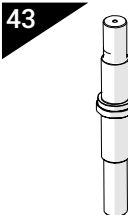
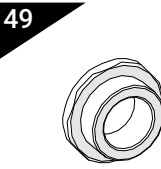
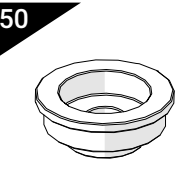
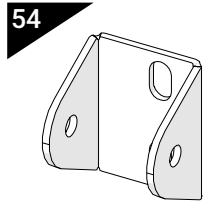
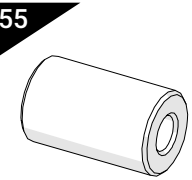
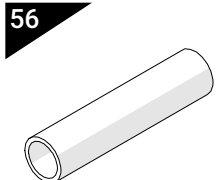
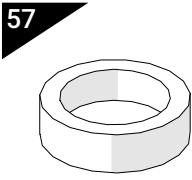


Step 4 - Preparation of the AFN Rear Step

Preview



Parts needed:

- | | | | | | |
|--|--|---|--|---|--|
| 
1
x1 Rear Bumper LC79 | 
8
x2 Closing Bracket | 
9
x2 Double Nut Plate M8 Small | 
10
x2 Double Nut Plate M8 Big | 
14
x2 Bolt M14x30 | 
28
x8 Hex Flange Bolt M8x20 |
| 
29
x2 Hex Flange Bolt M8x60x20 | 
30
x2 Hex Flange Nut M8 | 
43
x2 Threaded Shaft | 
49
x2 Nut M36 | 
50
x2 Washer M12 Ø53 | 
54
x2 Closing Bracket |
| 
55
x2 Nylon for Closing Bracket | 
56
x2 Bushing for Closing Bracket | 
57
x2 Plastic Cap for Bolt M14 | | | |

Step 4 - Preparation of the AFN Rear Step

Installation

ATTENTION!

The following step **only applies if either Wheel Carrier and Jerrycan Holder are not mounted, or if by any case there is a need to dismount them. Proceed to next Step.**

Before inserting the **AFN Rear Bumper(1)** on the vehicle there are some details that we advise to do first (so, place it on a flat working surface).

Take on both Closing Brackets(54) and fit them into the **AFN Rear Bumper(1)**. Please be in mind to fit the Nylon(55) with the Bushing(56) **Rear Bumper(1)**.

Use 4x Hex Flange Bolts M8x20(28) and 2x Double Nut Plate(9).

Then, fit both Closing Brackets(8) in the **AFN Rear Bumper(1)**.

Use 4x Hex Flange Bolts M8x20(28) and 2x Double Nut Plate(10).

Give the final torque.

Once that is done, fit **Threaded Shaft(43)**.

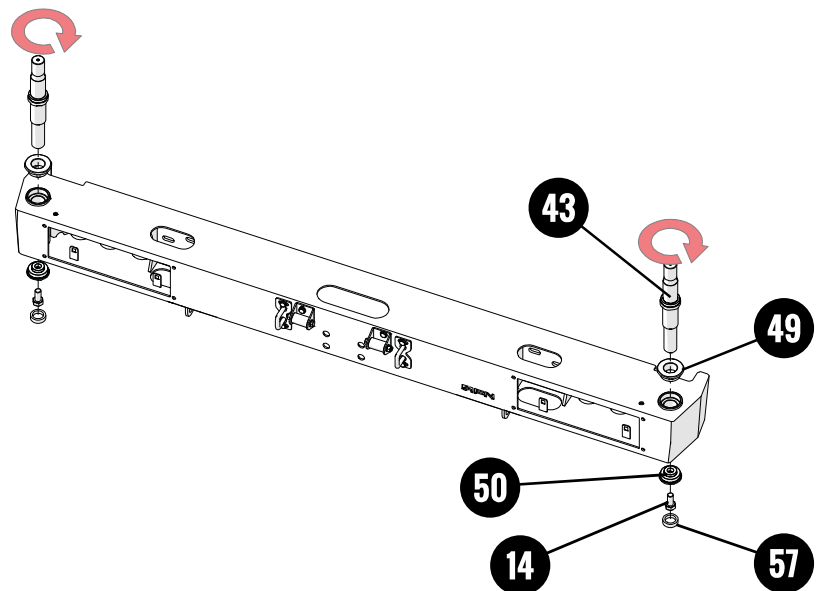
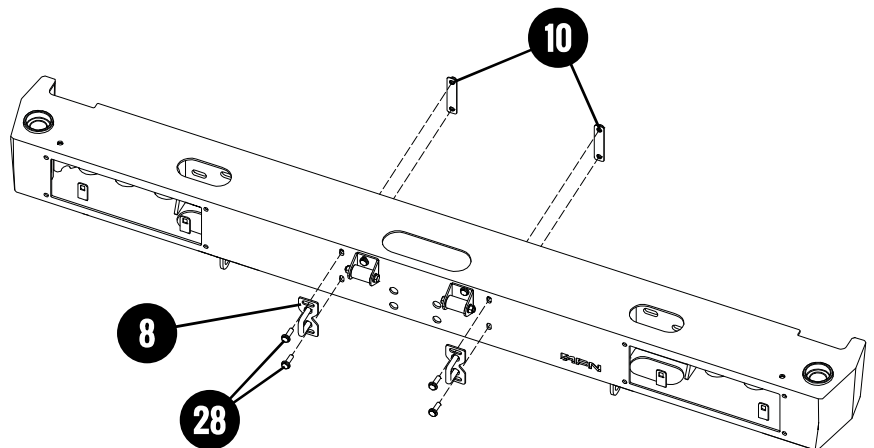
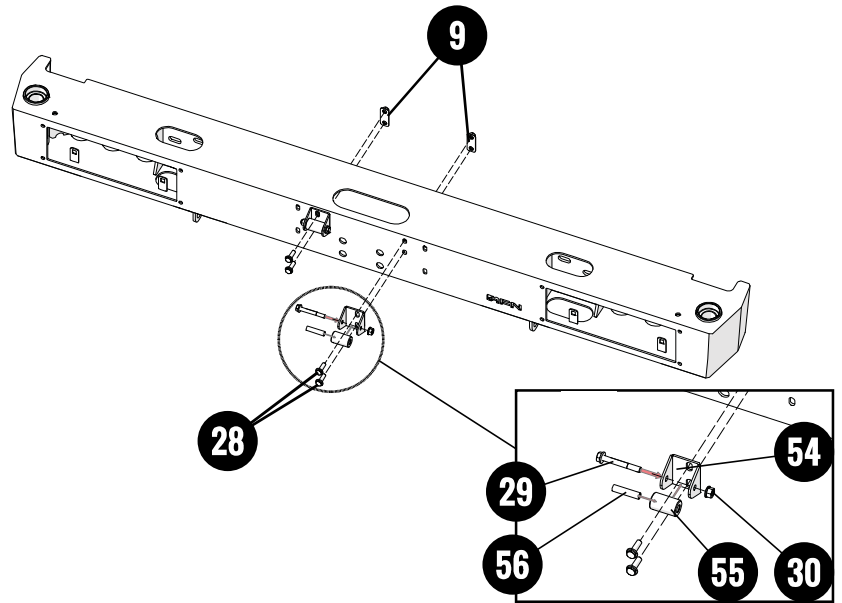
Use 1x Bolt M14x30(14), with 1x Washer M12(50) and 1x Nut M36(49), as showed in the image.

Finally, take on the **Plastic Cap(14)** and fit it on **AFN Rear Bumper(1)**.

Repeat this step for the other side of the **AFN Rear Bumper(1)**.

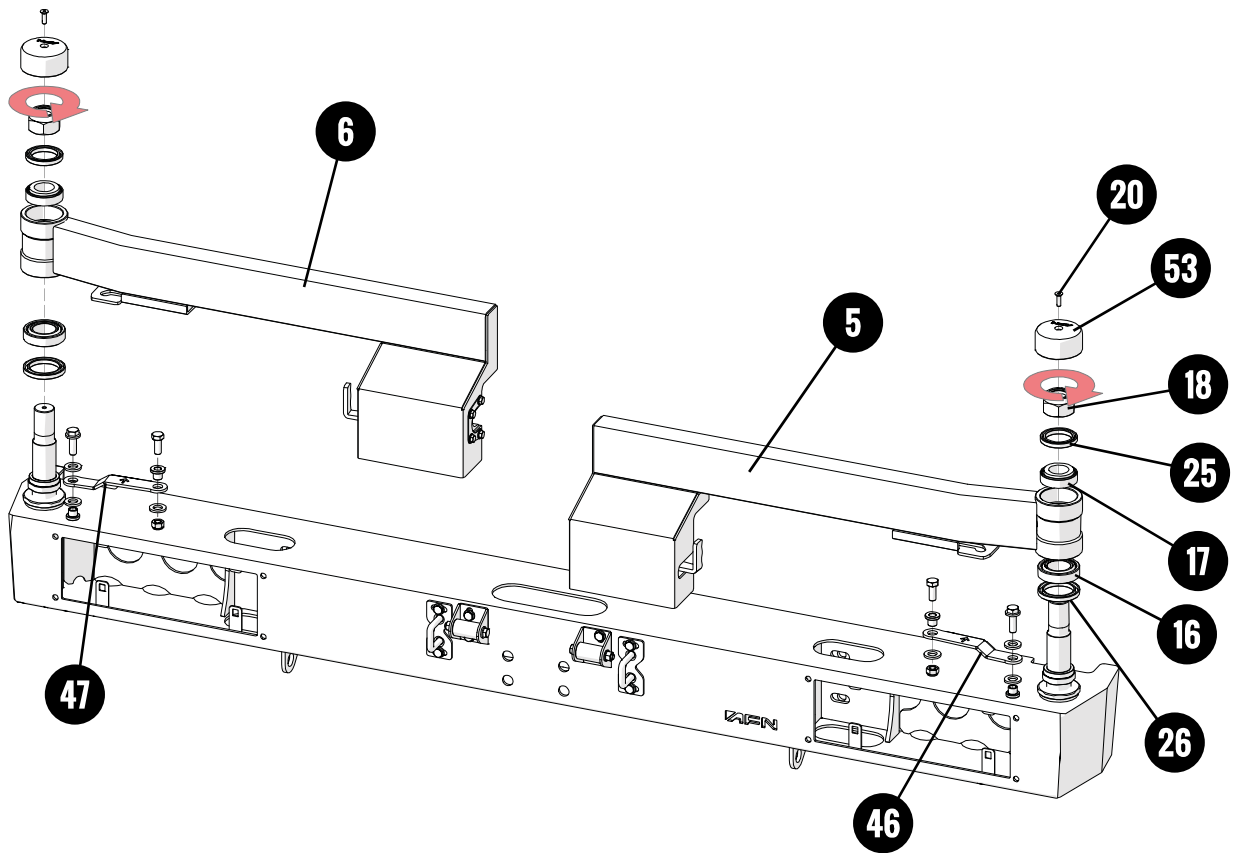
Just finger tight all bolts

Do Not tighten yet.

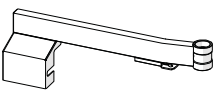
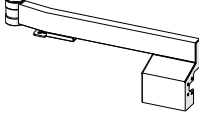
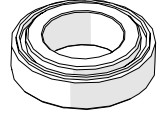
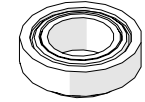
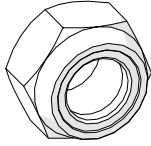
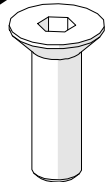
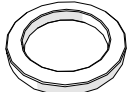
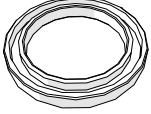
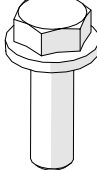
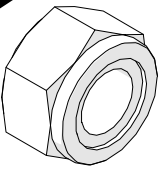
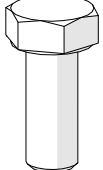

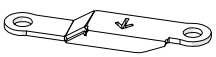
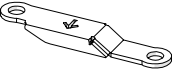
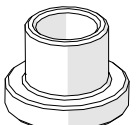
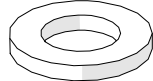



Step 5 - Fitting both Arms in the AFN Rear Step

Preview



Parts needed:

- | | | | | | |
|--|--|--|--|--|--|
| 5
 | 6
 | 16
 | 17
 | 18
 | 20
 |
| x1 Right Arm for Rear Bumper | x1 Left Arm for Rear Bumper | x2 Bearing SKF
Ø62xØ35x19 | x2 Bearing SKF
Ø55xØ30x18 | x2 Nylock Nut M30 | x2 Bolt M6x20 |
| 25
 | 26
 | 27
 | 38
 | 41
 | 45
 |
| x2 Bearing SKF
Ø62xØ45x7 | x2 Bearing Seal
Ø62xØ45x7 | x2 Hex Flange Bolt
M10x30 | x2 Nylock Nut M10 | x2 Bolt M10x25 | x2 Bushing
for Opening Limiter |
| 46
 | 47
 | 51
 | 52
 | 53
 | |
| x1 Opening Limiter
Left Side | x1 Opening Limiter
Right Side | x2 Bushing
for Opening Limiter | x6 Nylon Washer
for Opening Limiter | x2 Plastic Cap | |

Step 5 - Fitting both Arms in the AFN Rear Step

Installation

ATTENTION!

The following step **only applies if either Wheel Carrier and Jerrycan Holder are not mounted, or if by any case there is a need to dismount them. Proceed to next Step.**

Take on Right Arm for Rear Bumper(6) and fit it into the **AFN Rear Bumper(1)**. Bolts needed: Start by inserting 1x Bearing Seal(26) with 1x Bearing SKF(16), then comes the Right Arm(6).

On top, insert 1x Bearing SKF(18) with 1x Bearing Seal(25) and 1x Nylock Nut M30(17).

Finally use the 1x Plastic Cap(53) with 1x Bolt M6x20(20).

Once the **Right Arm** is secured, fit the Opening Arm Limiter(46). It connects the **Right Arm(6)** to the **AFN Rear Bumper(1)**. Bolts needed:

Use 1x Hex Flange Bolt M10x30(27) with 2x Nylon Washers M10(52) and 1x Nylon Bushing(51).

Then, use 1x Bolt M10x25(41) with 1x Nylon Bushing(45), 1x Nylon Washer M10(52) and 1x Nylock Nut M10(38).

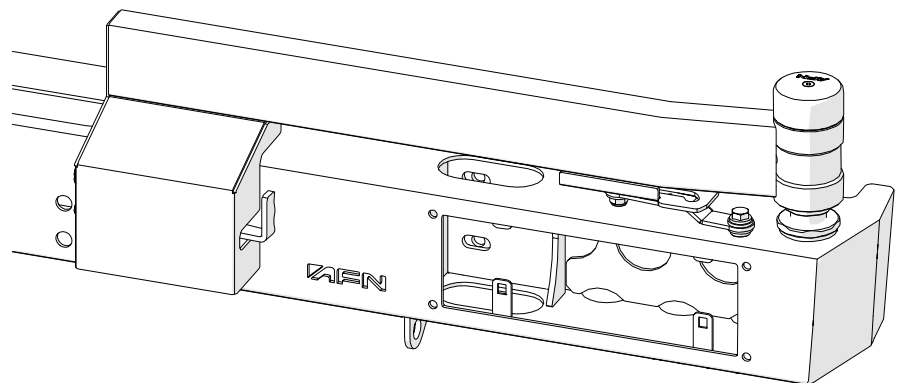
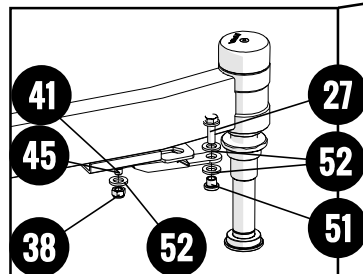
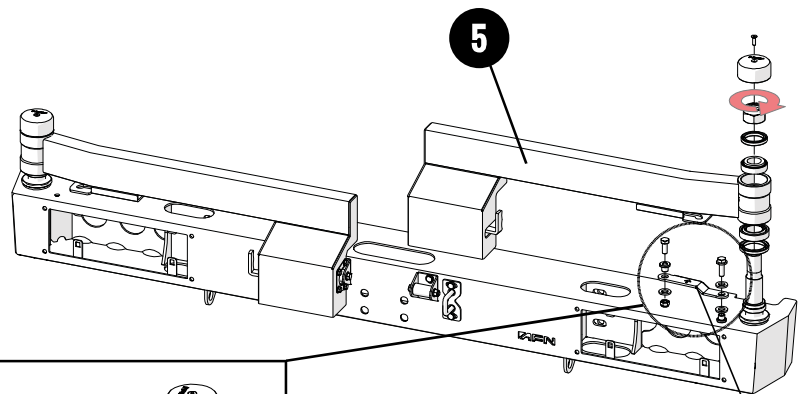
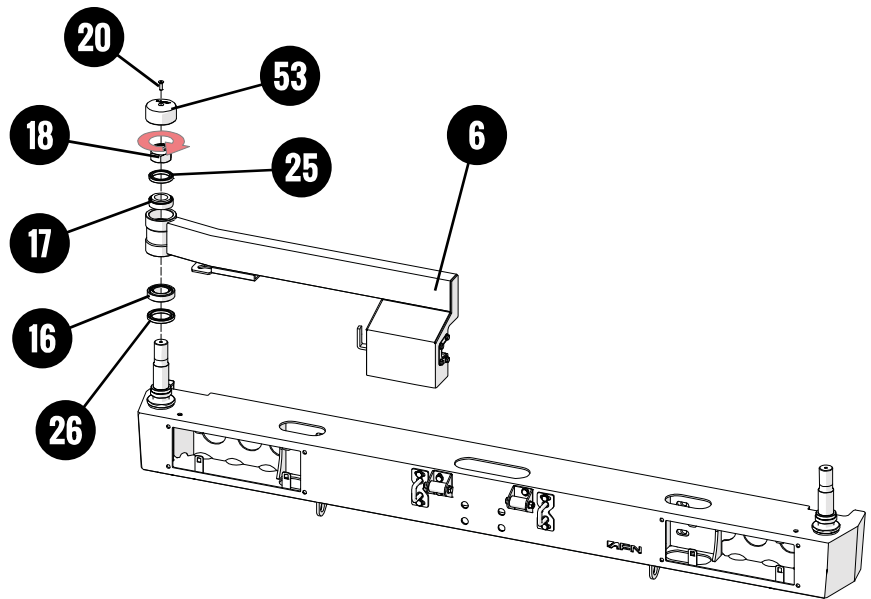
Just finger tight all bolts

Do Not tighten yet.

Repeat the previous steps for the other side for the Left Arm(5).

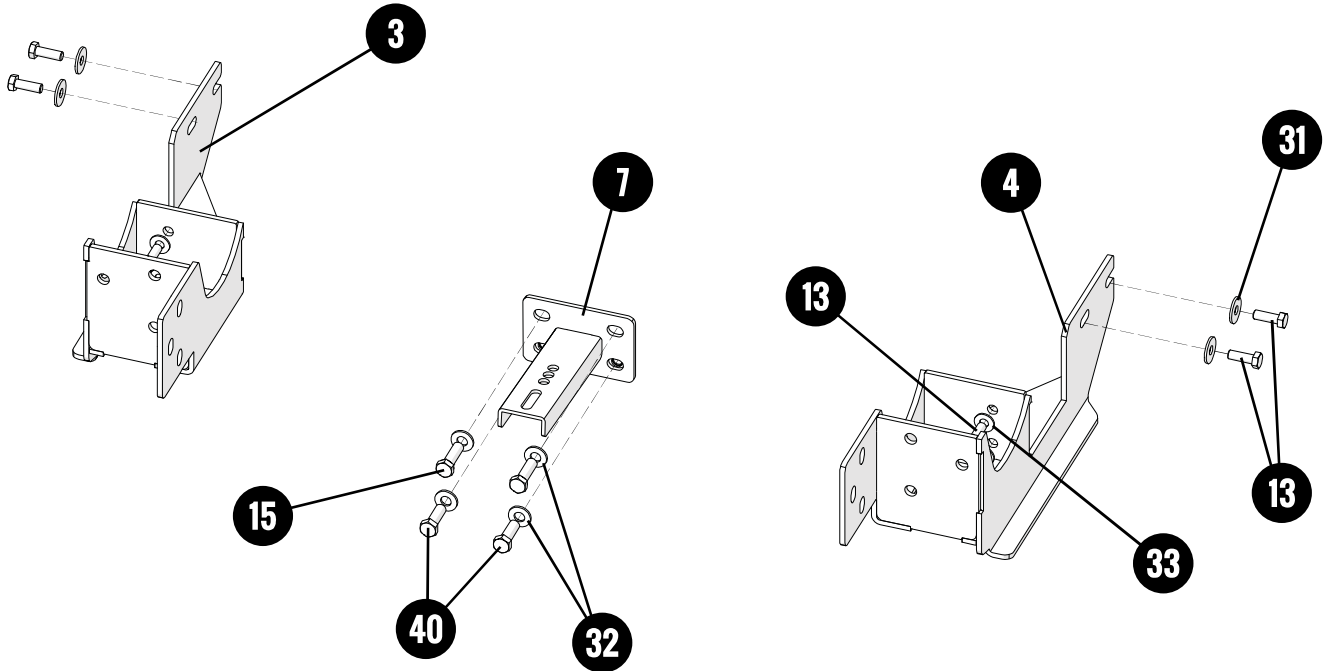
If you have done it correctly, this is what it should look like.

Once everything is correctly fitted, **Give the final torque.**

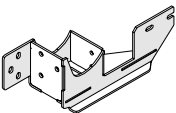
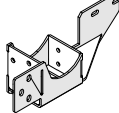
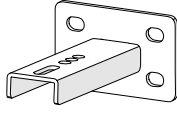
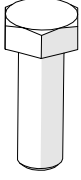
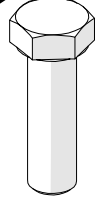
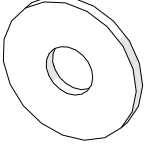
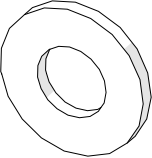
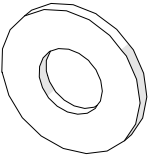
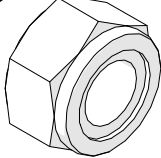
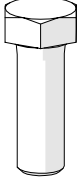
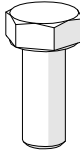


Step 6 - Fitting the AFN Rear Bumper Reinforcements

Preview



Parts needed:

- | | | | | | |
|--|--|--|--|--|--|
| <p>3</p>  | <p>4</p>  | <p>7</p>  | <p>13</p>  | <p>15</p>  | <p>31</p>  |
| x1 Rear Bumper Reinforc. Right Side | x1 Rear Bumper Reinforc. Left Side | x1 Rear Bumper Reinforc. Central | x8 Bolt M10x30 | x2 Bolt M12x40 | x4 Washer M10 |
| <p>32</p>  | <p>33</p>  | <p>38</p>  | <p>40</p>  | <p>41</p>  | |
| x4 Washer M12 | x12 Washer M10 | x4 Nylock Nut M10 | x2 Bolt M12x30 | x4 Bolt M10x25 | |

Step 6 - Fitting the AFN Rear Bumper Reinforcements

Installation

Once the Arms are fitted on the AFN Rear Bumper, take on both **Rear Bumper Reinforcements (3)** and **(4)**, and fit them on vehicle.

Side:

2x Bolts M10x30(**13**) with 2x Washers M10(**31**).

Front:

2x Bolts M10x30(**13**) with 2x Washers M10(**33**).

Then, fit the **Central Rear Bumper Reinforcements (7)** using:

Top:

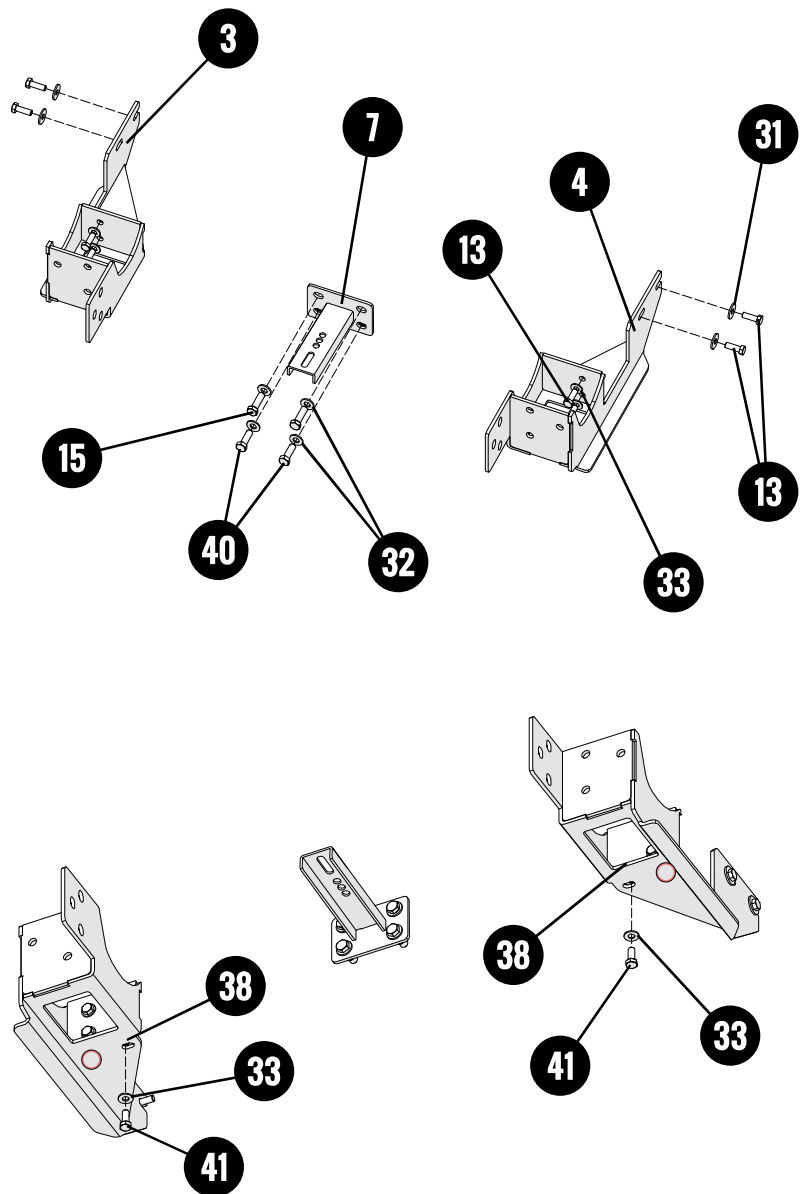
2x Bolts M12x40(**15**) with 2x Washers M12(**32**) or **OEM* Bolts**.

Bottom:

2x Bolts M12x30(**40**) with 2x Washers M12(**32**).

Finally, under the **Rear Bumper Reinforcements (3)** and **(4)** use 2x Bolts M10x25(**41**) with 4x Washers M10(**33**) and 2x Nylock Nuts M10 (**38**).

Once everything is correctly fitted, **Give the final torque.**



The final step, drill a hole where the highlighted circles are, one on each side and use:

2x Bolts M10x25(**41**) with 4x Washers M10(**33**) and 2x Nylock Nuts M10 (**38**).

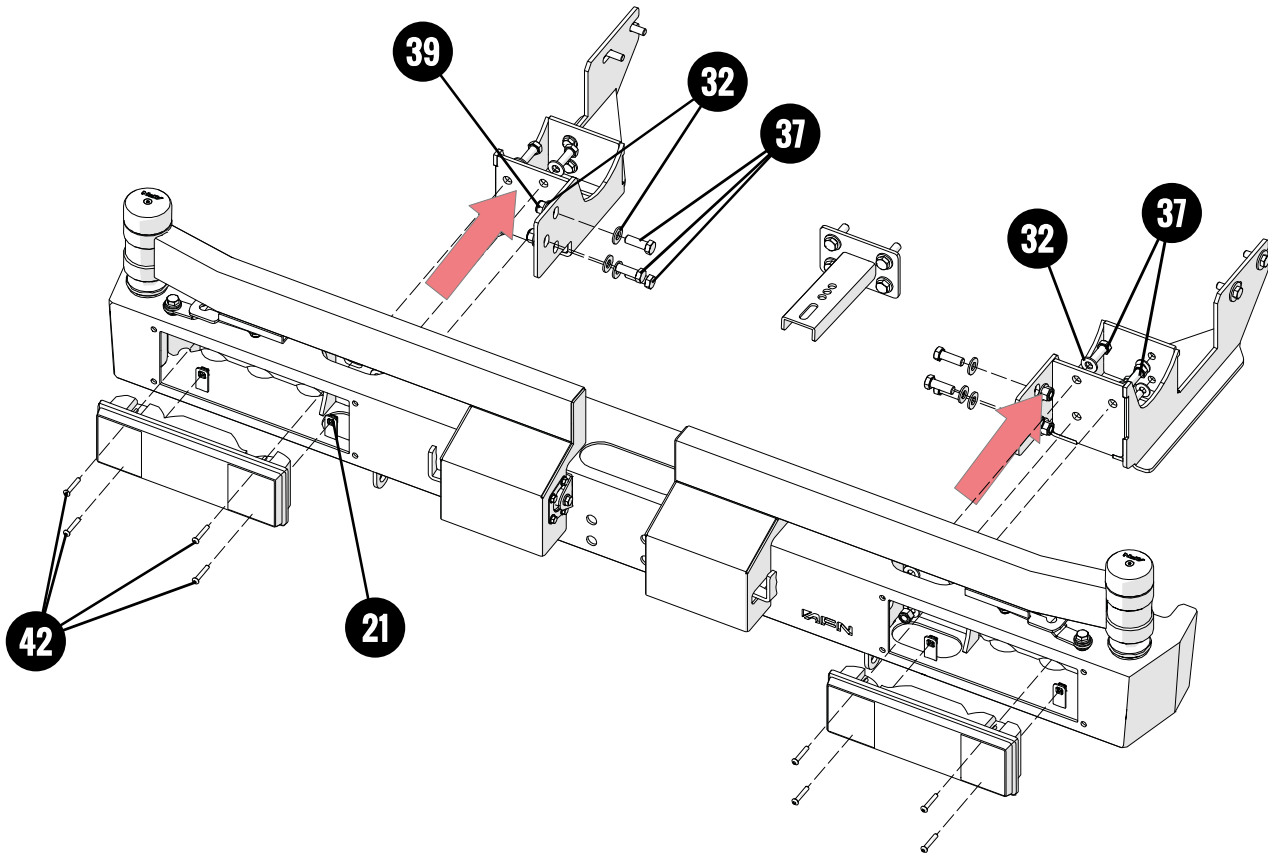
Once everything is correctly fitted, **Give the final torque.**



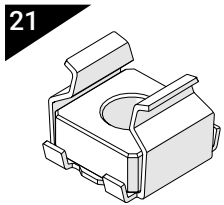
*OEM - Original Equipment Manufacturer

Step 7 - Fitting AFN Rear Bumper in the Vehicle

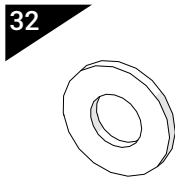
Preview



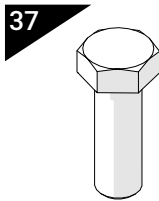
Parts needed:



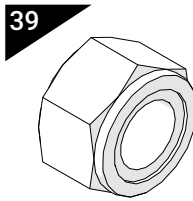
x8 Cage Nut M6



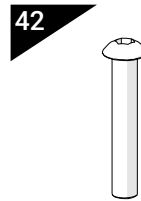
x24 Washer M12



x10 Bolt M12x35



x10 Nylock Nut M12



x8 Bolt M6x35

Step 7 - Fitting AFN Rear Bumper in the Vehicle

Installation

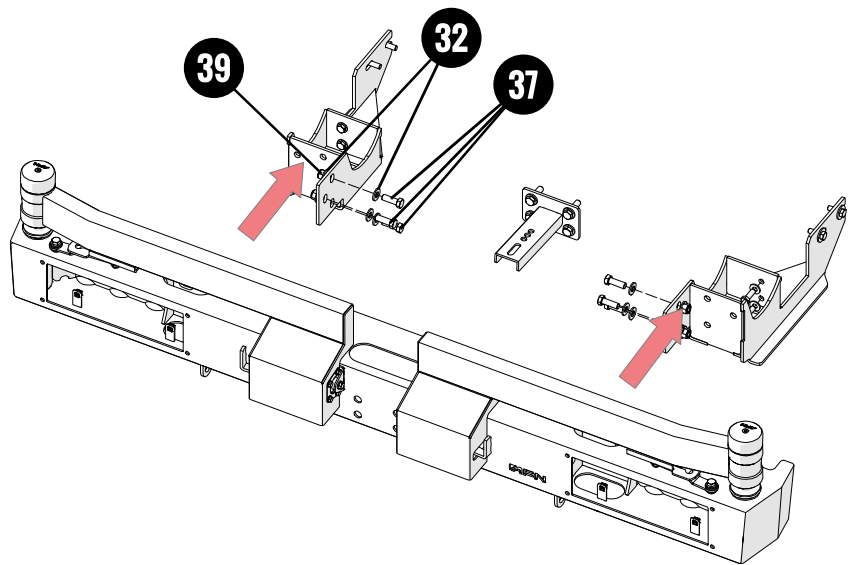
Then, with help of another person or a Crane, fit the **AFN Rear Bumper(1)** above both Rear Bumper Reinforcements (3) and (4).

Bolts needed:

Use 6x Bolts M12x35(37), with 12x Washers M12(32) and 6x Nylock Nuts M12(39).

Just finger tight all bolts

Do Not tighten yet.

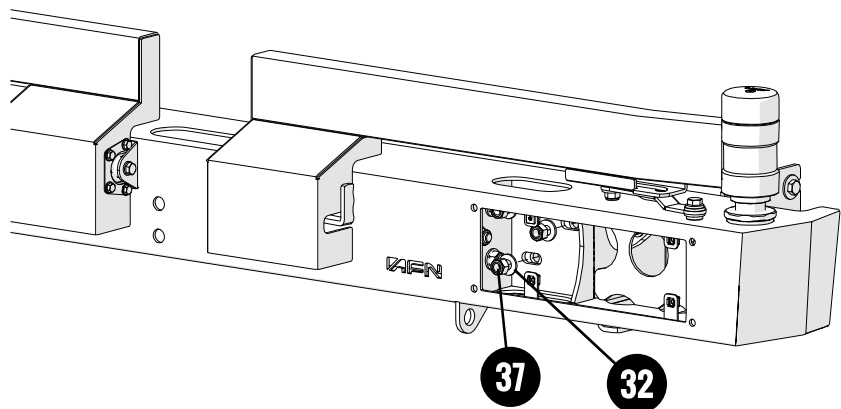


Once the **AFN Rear Bumper(1)** is secured, fit it on the front.

Use 6x Bolts M12x35(37), with 12x Washers M12(32) and 6x Nylock Nuts M12(39).

Just finger tight all bolts

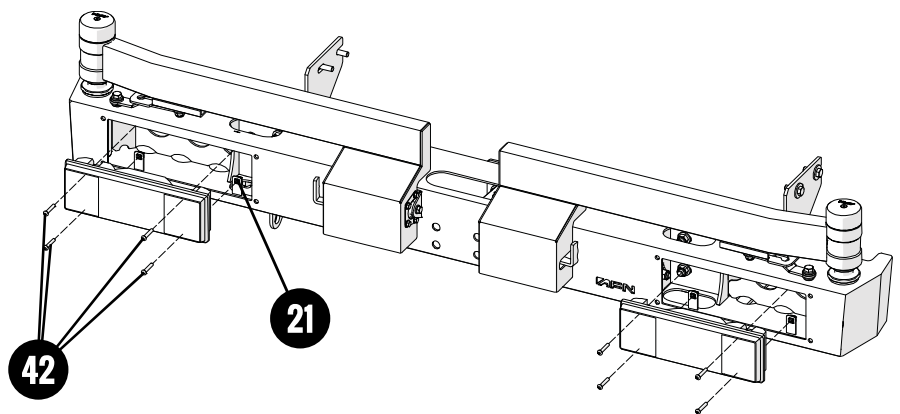
Do Not tighten yet.



Finally, fit the **OEM* Rear Lights** on **AFN Rear Bumper(1)**, using:

8x Bolts M6x35(42) with 8x Cage Nuts M6(21).

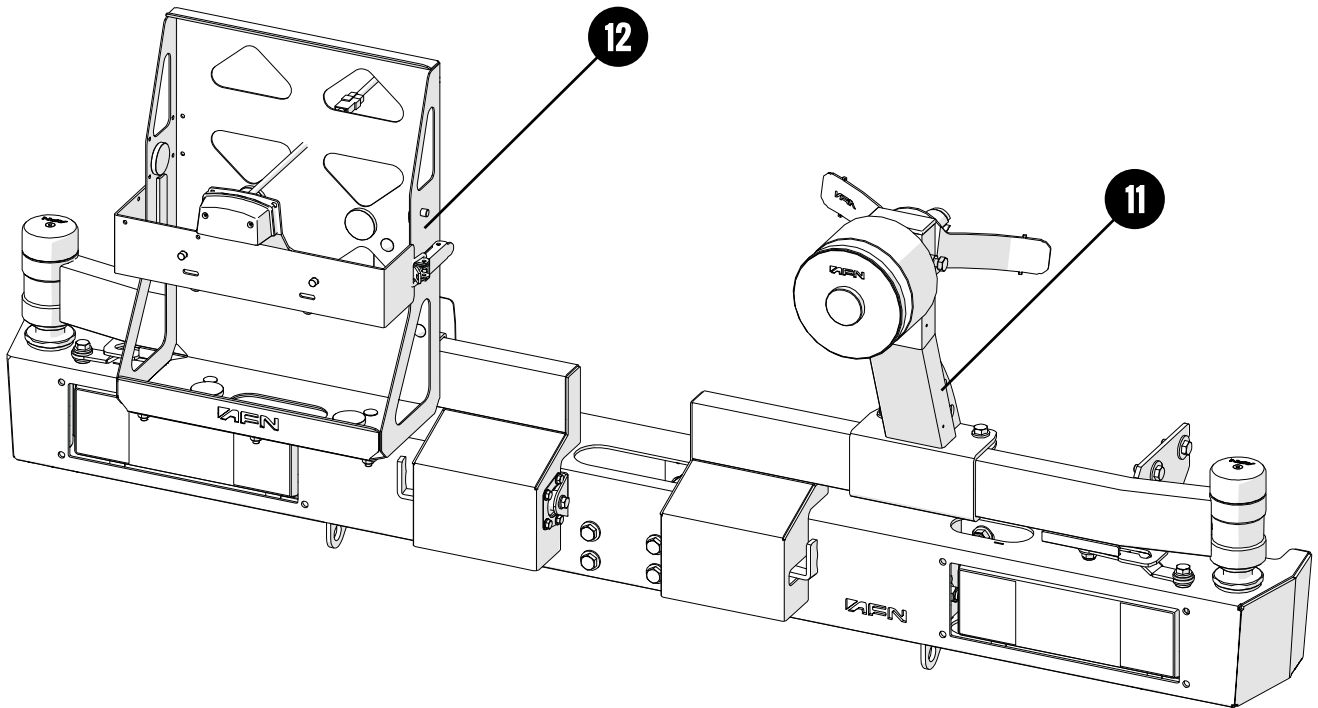
Give the final torque.



*OEM - Original Equipment Manufacturer

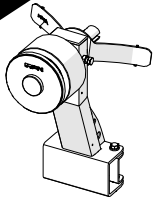
Step 8 - Fitting the Wheelcarrier and Jerrycan-Holder in AFN Rear Bumper

Preview

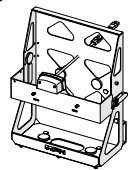


Parts needed:

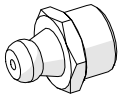
- 11**



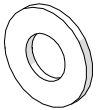
x1 Wheel Carrier
- 12**



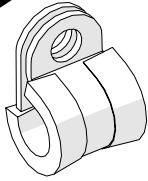
x1 Jerrycan Holder
- 19**



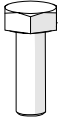
x2 Grasser M10
- 22**



x1 Washer M4
- 23**



x1 Cable Holder
License's Plate Light
- 24**



x1 Bolt M4x12

12 45001522	NUMBER	REF	QUANTITY
	A3	46003334	1x
	B3	46003335	1x
	C3	47001233	1x
	D3	47001696	1x
	E3	45001247	10x
	F3	45001260	10x

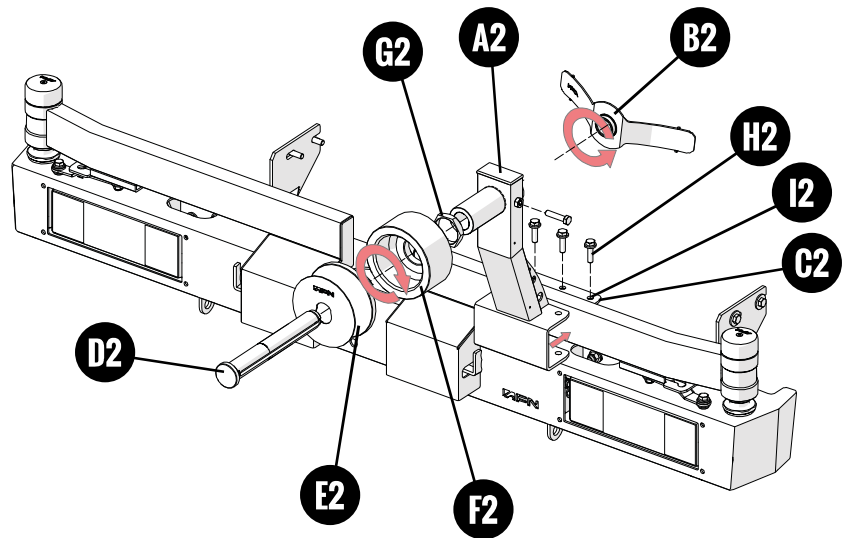
11 45001309	NUMBER	REF	QUANTITY
	A2	47000800	1x
	B2	47000801	1x
	C2	46002408	1x
	D2	46005351	1x
	E2	46005352	1x
	F2	46005353	1x
	G2	46005354	1x
	H2	45001238	6x
	I2	45001248	6x

Step 8 - Fitting the Wheelcarrier and Jerrycan-Holder in AFN Rear Bumper

Installation

Once the **AFN Rear Bumper(1)** is secured, take on **Wheel Carrier(11)** and fit it on **Left Arm(11)** using 6x **Hex Flange Bolts M10x35(H2)** and 6x **Flange Nuts M10(I2)** with the **Bracket (C2)**.

(They already go mounted)

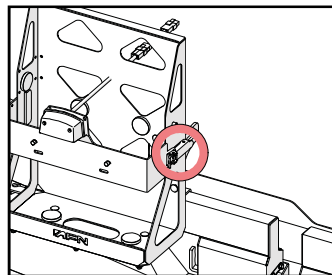
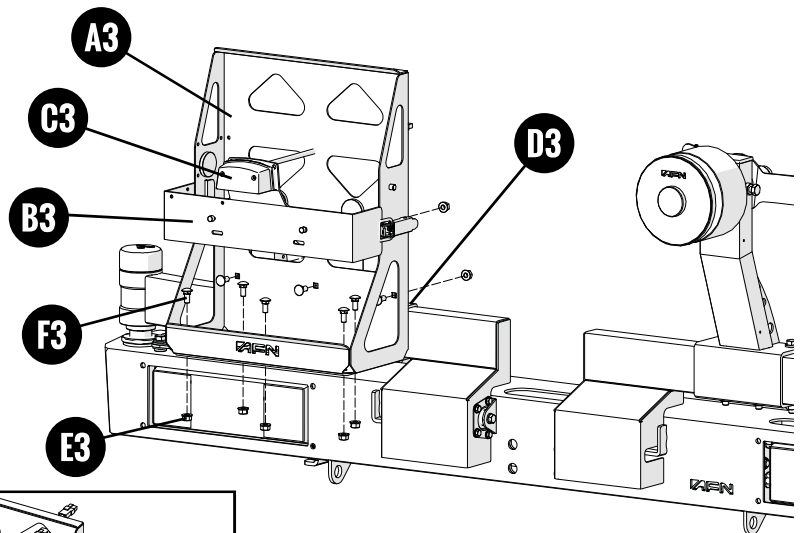


On the **Right Arm(6)** fit the **Jerrycan Holder(12)**. Bolts needed:

10x Bolts **M8x20(F3)** with 10x **Flange Nuts M8(E3)**, 5x on bottom and 5x on the back.

If you have a jerrycan to be mounted, now is the time insert it.

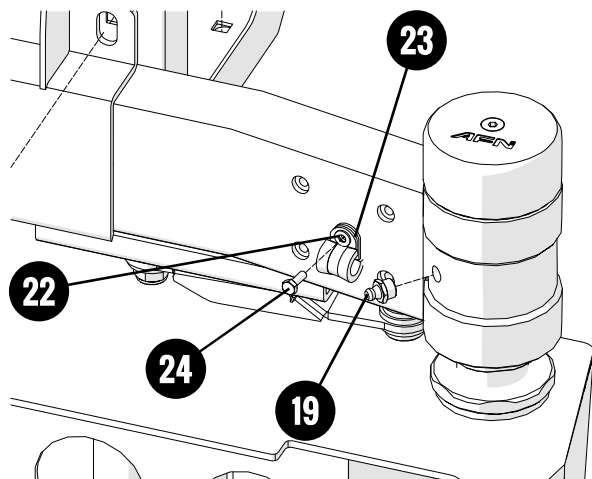
If not, take on **Jerrycan Holder Door(B3)** and fit it on **Jerrycan Holder(A3)** and then, just close the door of the **Jerrycan Holder(12)**, check the circle in the image.



Give the final torque.

Finally, fit both **Grassers M10(19)**, as showed in the image, one on each arm.

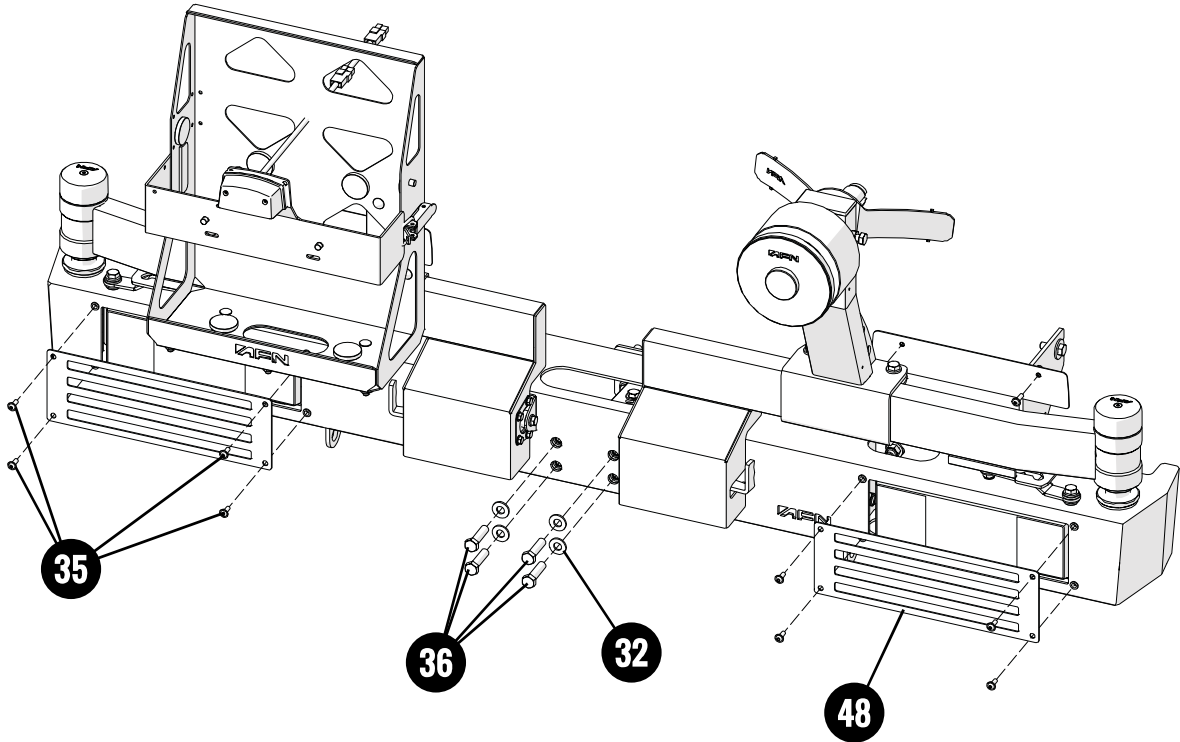
Use 1x Bolt **M4x12(24)** with 1x **Washer M4(22)** to fit the **Cable Holder for the License's Plate Light(23)**



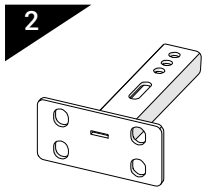
*OEM - Original Equipment Manufacturer

Step 9 - Fitting Rear Headlight Protections

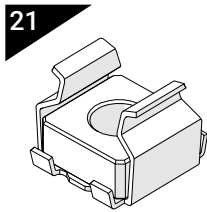
Preview



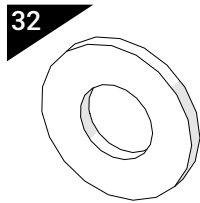
Parts needed:



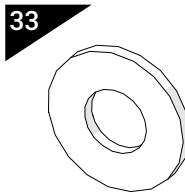
x1 Rear Bumper Reinforc. Central



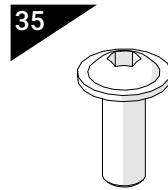
x6 Cage Nut M6



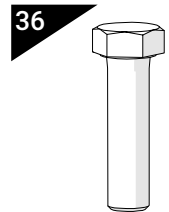
x8 Washer M12



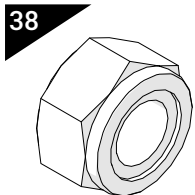
x4 Washer M10



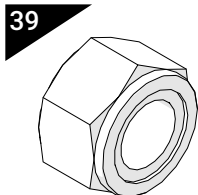
x8 Flange Bolt M6x16



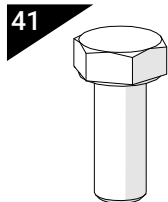
x4 Bolt M12x45



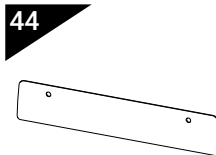
x2 Nylock Nut M10



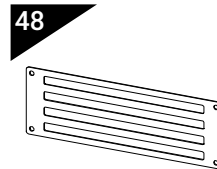
x4 Nylock Nut M12



x2 Bolt M10x25



x2 Rear Headlight Plate



x2 Rear Headlight Protection

Step 9 - Fitting Rear Headlight Protections

Installation

Once the **AFN Rear Bumper(1)** is correctly fitted, take on **Central Rear Bumper Reinforcement(2)** and fit it connecting the previously fitted the **Central Rear Bumper Reinforcement(7)** and **AFN Rear Bumper(1)**.

Use 2x Bolts M10x25(**41**) with 4x Washers M10(**33**) and 2x Nylock Nuts M10(**38**).

Use 4x Bolts M12x45(**41**) with 8 x Washers M12(**32**) and 4x Nylock Nuts M12(**39**).

(If you have the OEM Hook use the OEM* bolts)*

Please note that **Central Rear Bumper Reinforcement(2)** must be beneath the **Central Rear Bumper Reinforcement(7)**, as showed.

Once that is done, take on **Rear Headlight Plate(44)** and fit them on the **Vehicle**.

Use 2x Flange Bolts M6x20(**34**), with 2x Cage Nuts M6(**21**).

Repeat this step on the other side.

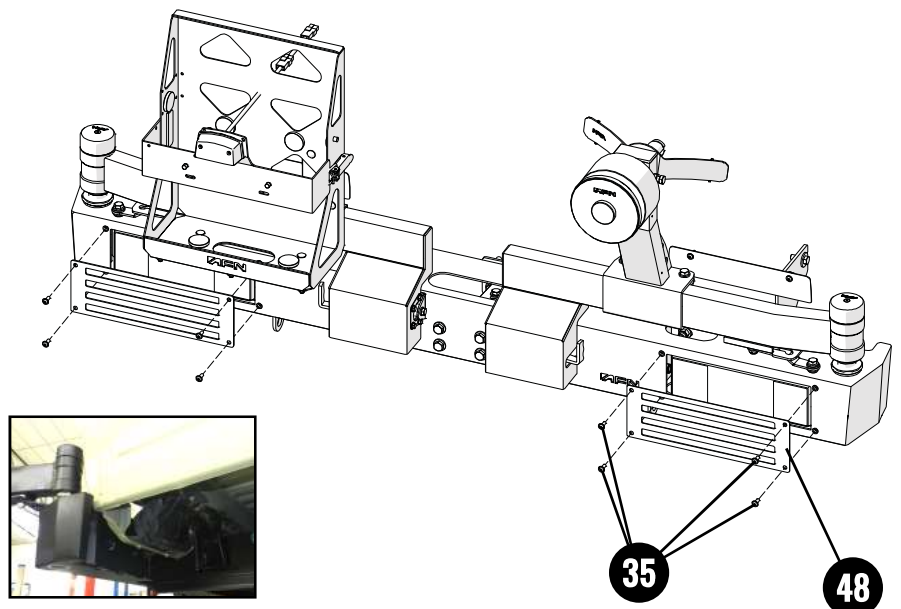
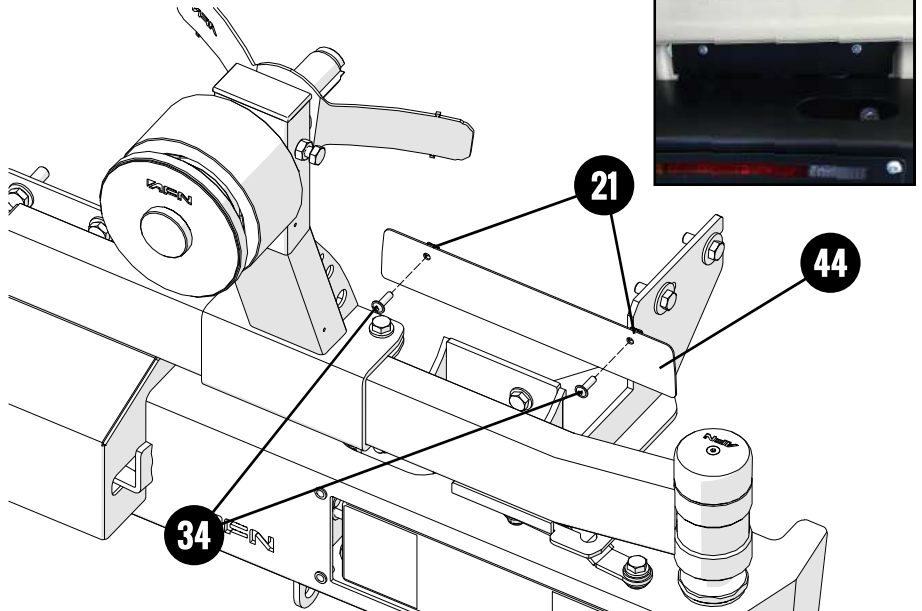
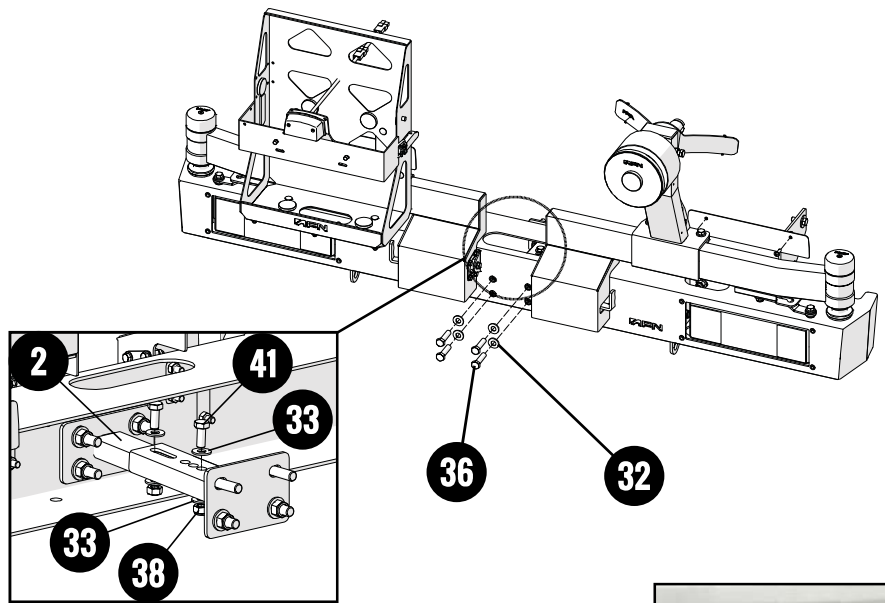
Give the final torque.

Finally, fit both **Rear Headlight Protection(48)** on the **AFN Rear Bumper(1)**.

Use 8x Flange Bolts M6x16(**35**).

Fit again the **OEM*** Cover for the Rear Lamp using the previously removed **OEM*** Bolts.

Give the final torque.



*OEM - Original Equipment Manufacturer

Step 10 - Final Result

Your new **AFN REAR STEP** is now installed on your **Toyota LAND CRUISER 79-Series!**

Have Fun!



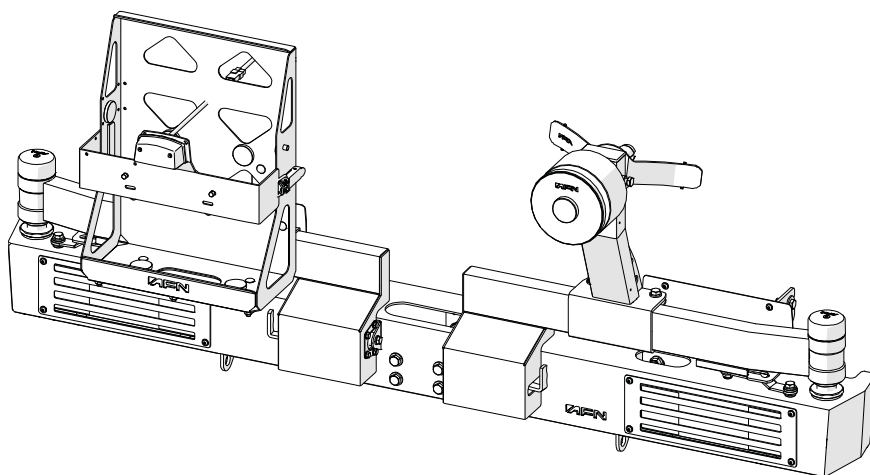
Reminder !

Before operating a vehicle fitted with an **AFN Rear Step Bar | Rear Bumper**:

- Make sure all fittings are tightened
- Check winch operation (if installed)
- Check all electrical wiring attached to lights and parking sensors (if installed)

Maintenance | Care

Periodically check and tighten all nuts. Stripped, fractured or bent bolts or nuts need to be replaced.





3 LC79 CATALOGUE

AFN 4x4 Accessories is becoming a well known brand for its products due to its quality, design and safety which are challenged for thousands of people everyday, worldwide.

In its diversity of products we can include, with all-terrain quality, protection, safety and aesthetic accessories. With that being said, **AFN 4x4** has some other accessories that every offroad passionate would like to have, such as **Body Protections, Underbody Protections, Light Holders, Storage** (Wheel Supports and Jerry-can carriers) and others related to the **Aesthetics**.

We have some 4x4 accessories that combine with the original model lines that if you take a closer look you will see that they don't appear to be an accessorie, but a must-have.

Please be in mind that some accessories are available only to some models.
 Feel free to check all the products that may interest you in our website at: www.afn.pt



Ref.: 48002620 - Bull Bar with fog lights



Ref.: 48001476 - Rear Bumper w/ Wheel Carrier and Jerrycan Holder



Ref.: 48002662 - Side Steps



Ref.: 48002663 - Nerf Bar



Ref.: 48002436 - Rear Bench Seats



Ref.: 48002653 - Alluminium Bed Liner



Ref.: 48002660 - Roll Cage with Gun Turret Support



Ref.: 48001673 - Turret Ring - 360°

4 WARRANTY TERMS

AFN4x4 products are warranted free from defects in materials and workmanship for a period of two (2) years from the date of initial retail purchase. Third-party components are delivered under the original manufacturer warranty.

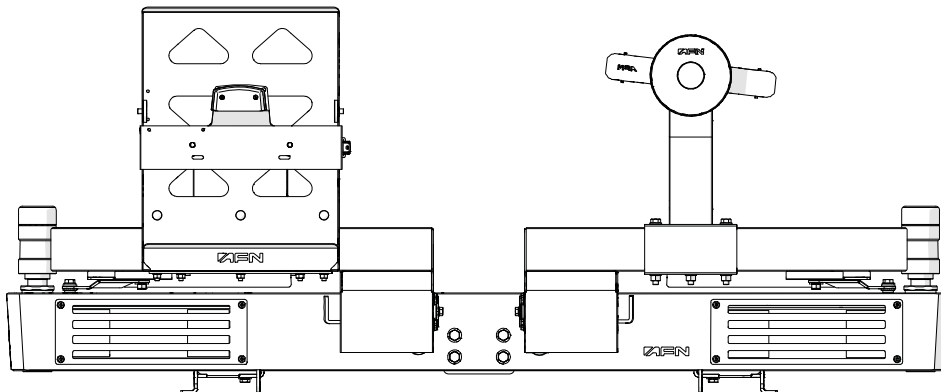
Under the present warranty, **AFN4x4** obligation shall be limited to repairing, replacing or crediting, at its option, any part found to be defective.

AFN4x4 does not warrant or make any representations concerning its goods when:

- a) The products are purchased used, scratch and dent or when the box was opened.
- b) The products are not installed, used, and maintained strictly in accordance with **AFN4x4**'s instructions.
- c) The products are installed in vehicles that are used in competition.
- d) The products are installed in vehicles fitted with aftermarket non-standard tires with diameters in excess of OEM* specifications.
- e) The products are installed in vehicles with engines that have been modified to increase performance.

AFN4x4 will not be responsible for goods damaged in transit. If any goods arrive damaged, please contact the **AFN4x4** as soon as possible. **AFN4x4** will assess and may arrange to have the damaged goods returned to a **AFN4x4** Distributor and arrange for a replacement of the goods. Damaged goods must be returned in the condition received by you with all original packaging, accessories and/or manuals. If they are not returned in same condition sent there may be an additional fee charged.

To file a claim under this warranty please contact **AFN4x4** at +351 256 808 300 or via email at geral@afn.pt to request a *Returned Goods Authorization (RGA)* number and instructions for returning the defective component.





5 AFN 4x4 PARTNERS



01

Portugal

Rua da Madeira, 113
Z. Industrial das Travessas
3700-176 S. João da Madeira

T:(00351) 256 838 300/7
geral@afn.com
www.afn.com

02

Espanha

Carretera de Moledo 8
pol. ind. de Miraflores, Nave 20
36214, Vigo (Pontevedra)

T:(0034) 986 378338
info@4x4misutonida.com
www.4x4misutonida.com

03

Austrália

19 Flinders Parade
North lakes
QLD 4509

T:(0061) 1300 236 494
sales@afn4x4.com.au
www.afn4x4.com.au

04

Costa Rica

Fort overlanding CR,
Alajuela

T:(0011) 506 8430 0211
info@fortoverlanding.com
www.fortoverlanding.com

DON'T JUST SETTLE FOR THE SAME OLD BULL



WWW.AFN.PT | SALES@AFN.PT | FACEBOOK.COM/AFN4X4

WELCOME TO THE AFN FAMILY



PROGRAMA OPERACIONAL REGIONAL DO NORTE



União Europeia

Fundo Europeu de Desenvolvimento Regional

