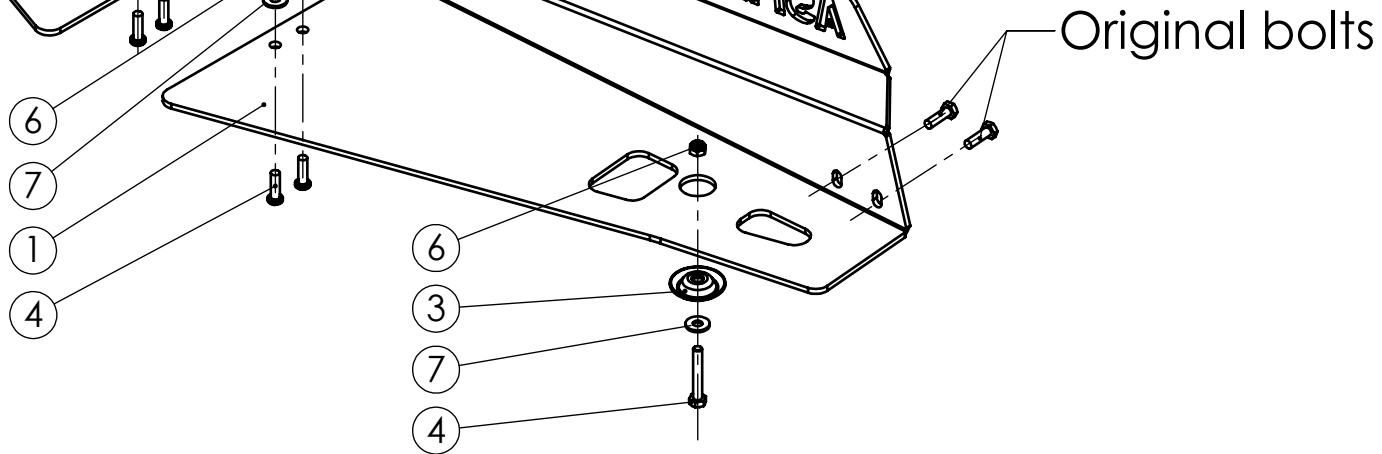


NO	PART NUMBER	DESCRIPTION	QTY
1	TTM01.700.011	Front Right Arm Protector	1
2	TTM01.700.012	Front Left Arm Protector	1
3	10858	Pocket washer 8	2
4	1089	Pan head phillips screw M6x20 DIN 7985	4
4	1133	Hex Bolt M6x40 DIN 933	2
6	3006	Hex Nut Nylock M6 DIN 985	6
7	6018	Washer 6x16	6



				Drawing number	Product Description	
CHG.				TTM01.700.000A	Vehicle Manuf.	POLARIS
DWN.	Slava		22.08.17		Vehicle Model	RZR800S RZR570
PLN.	David		22.08.17	Drawing description	Vehicle Version	2 Seat
CONFIRM	Dani			FRONT ARMS PROTECTORS	VIN	
ASFIR LTD.				Catalogue number	Year of Product.	2009 - 2015 2017
				361149	Gear Shift	AUTOMATIC
				Weight,kg 2.7	Motor Model	PETROL
					Transmission	4X4

Confidential

All rights in and to this document are property of ASFIR Ltd. and reserved to it. This document is forwarded to the recipient under the condition of and subject to the obligation of the recipient to keep the confidentiality of its contents. Copying transfer of distribution of this document or its contents and the use of it not for the purpose intended-are strictly forbidden.