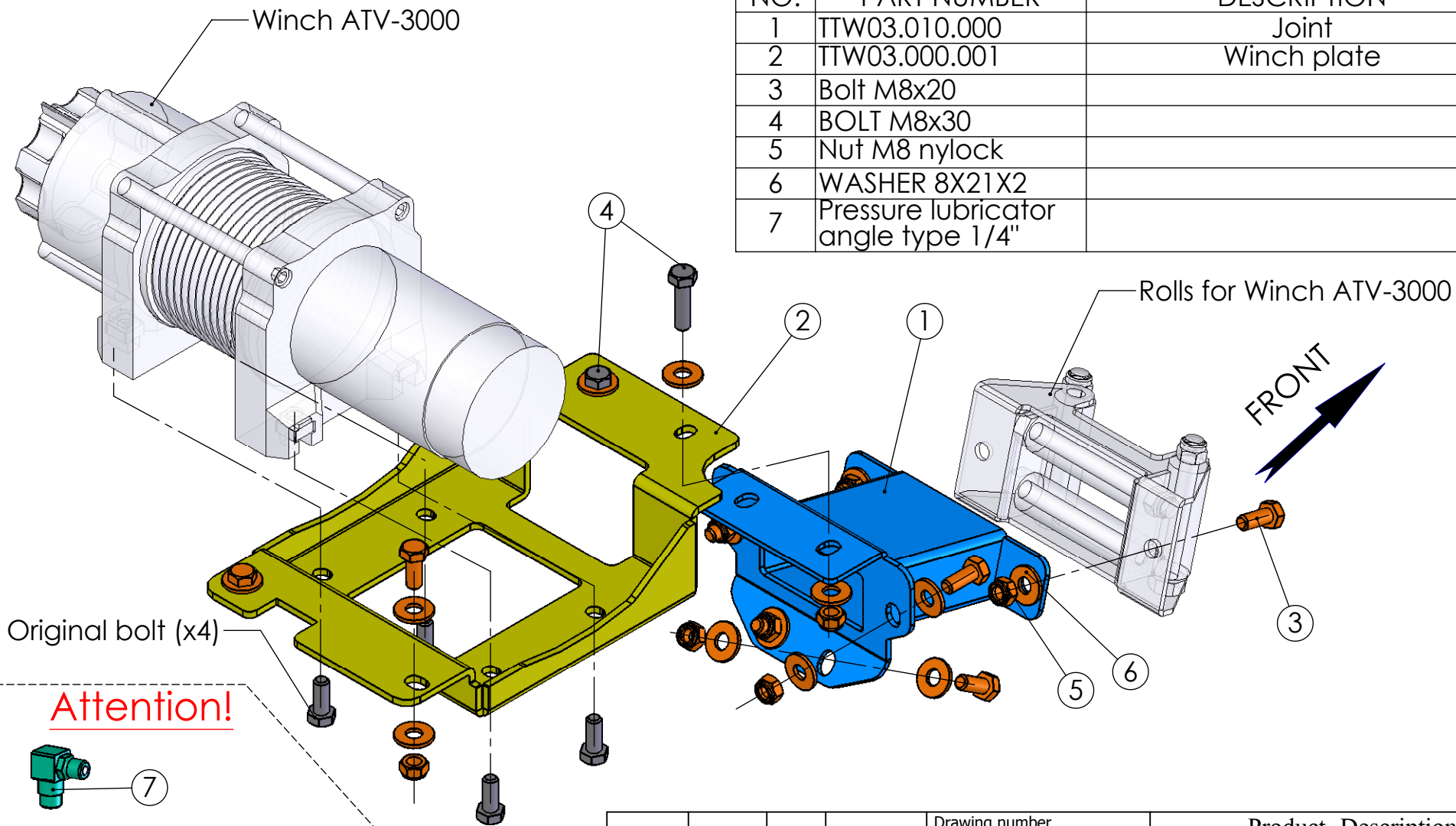
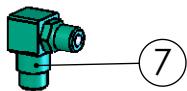


NO.	PART NUMBER	DESCRIPTION	QTY.
1	TTW03.010.000	Joint	1
2	TTW03.000.001	Winch plate	1
3	Bolt M8x20		8
4	BOLT M8x30		2
5	Nut M8 nylock		10
6	WASHER 8X21X2		20
7	Pressure lubricator angle type 1/4"		1



**Attention!**



Before installation of this unit change the original labricator, placed in lever of front suspension, on lubricator item No 7.

			Drawing number	Product Description	
CHG.			TTW03.000.000	Vehicle Manuf.	POLARIS
PLN.	David			Vehicle Model	RANGER
DWN.	Slava	22.03.09	Drawing description	Vehicle Version	RZR800S
CONFIRM	Dani		<b>Hidden Winch Mount</b>	VIN	
<b>ASFIR LTD.</b>			Catalogue number	Year of Product.	2009
			361122	Gear Shift	AUTOMATIC
			Weight,kg	Motor Model	PETROL
				Transmission	4X4

**Confidential**

All rights in and to this document are property of ASFIR Ltd.and reserved to it. This document is forwarded to the recipient under the condition of and subject to the obligation of the recipient to keep the confidentiality of its contents. Copying transfer of distribution of this document or its contents and the use of it not for the purpose intended-are strictly forbidden.